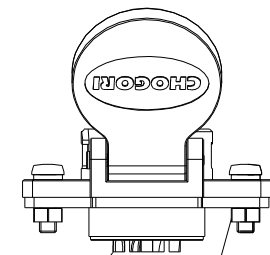
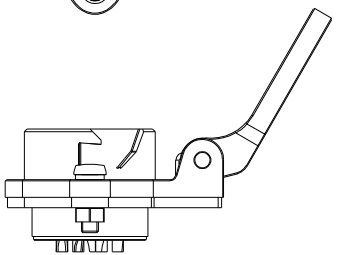
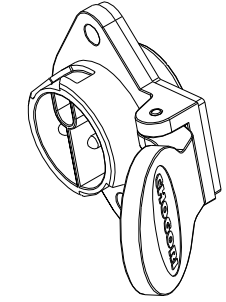
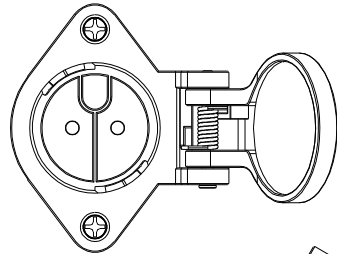
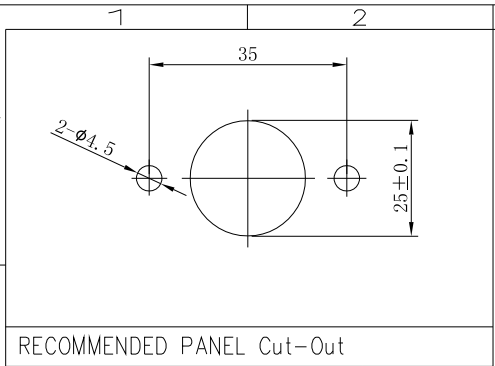


| | | | | |
|------|---------|-----------------|------|------------|
| REV. | ECN NO. | DESCRIPTION | SIGN | DATE |
| C1 | N/A | INITIAL DRAWING | Liu | 2020/05/20 |

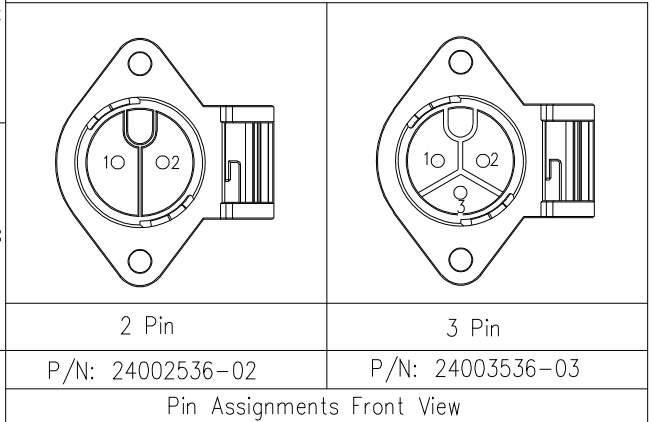


RECOMMENDED PANEL Cut-Out

22XXX536-0X
Pin Number

Connector Male Pin

- Specification:
- 1.Operation Temperature: -45°C~105°C.
 - 2.Insulation Resistance: 100MΩ at DC500V.
 - 3.Contact Resistance: <10mΩ.
 - 4.Withstand Voltage: 2000V AC
 - 5.Operating Current: 20A
 - 6.Operating Voltage: AC 300V
 - 7.Waterproof Rate: IP67 (Mated)
 - 8.Housing: Nylon, Black
 - 9.Male Pin: Copper Alloy, Gold Plated
 - 10.Gasket: Silicon Gray
 - 11.RoHS Compliant.
 - 12.Mating Cap P/N: 806-00058-00



| | | |
|-----------|---|--|
| UNIT:mm | | DESCRIPTION Large Series Push Lock Female socket With Male Pin |
| TOLERANCE | .X ±0.25 .XX ±0.15 .XXX ±0.05 ANGLES ±1° | SCALE: 1:1 SHEET 1 OF 1 |
| REV. C1 | SIZE A4 | * :Inspection Item |

CHOGORI®

| | | | | | |
|----------|-------------|-------------|-------|------|------------|
| PART NO | 22XXX536-0X | DRAWN BY | Liu | DATE | 2020/05/20 |
| DWG NO | | CHECKED BY | Mo | DATE | 2020/05/20 |
| CUSTOMER | | APPROVED BY | Adley | DATE | 2020/05/20 |

THIS INFORMATION IS CONFIDENTIAL AND IS DISCLOSED TO YOU ON CONDITION THAT NO FURTHER DISCLOSURE IS MADE BY YOU TO OTHER THAN CHOGORI PERSONNEL WITHOUT AUTHORIZATION FROM CHOGORI CORP.