

### FEATURES

- ▶ 0.37", 3½ digit high intensity LED display
- ▶ Available in RED, BLUE or GREEN
- ▶ User-selectable decimal points
- ▶ Polycarbonate case
- ▶ Optional bezel mount



### SPECIFICATIONS

#### DISPLAY

Numeral Size: .37" (9.4 mm)  
 Overrange: three lower order digits blank for inputs >1999 & < -1999  
 Polarity Indication: automatic (-) for negative  
 Supply Voltage: +5 VDC @ 40 mA

#### INPUTS

Input Ranges: ±200 mV, ± 2 V, ±20 V  
 Input Impedance: 1000 MΩ (200 mV)  
 1 MΩ (other ranges)  
 Common Mode Range: ± 1 VDC

#### PERFORMANCE

Accuracy: ±1% F.S. ± 2 counts  
 Sampling Rate: 3 per second

#### ENVIRONMENT

Operating Temperature: 0 to 50 °C  
 Max Humidity: 95% (non-condensing)

#### CONNECTION

12 pin

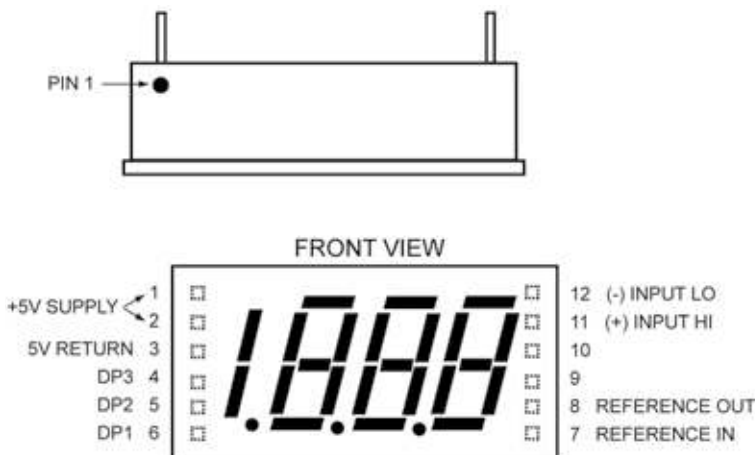
### ORDERING INFO

PART NUMBER	METER COLOR	METER INPUT
DLA-200B.....	BLUE.....	200mV
DLA-201B.....	BLUE.....	2V
DLA-202B.....	BLUE.....	20V
DLA-200G.....	GREEN.....	200mV
DLA-201G.....	GREEN.....	2V
DLA-202G.....	GREEN.....	20V
DLA-200R.....	RED.....	200mV
DLA-201R.....	RED.....	2V
DLA-202R.....	RED.....	20V

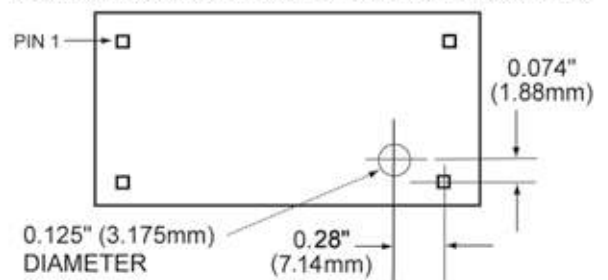
#### ACCESSORIES

DLA-BEZ-20-G.....	Bezel Assembly
PW2-5.....	Regulated 120V AC to 5V DC Power Supply
CVC.....	Calibrator

### WIRING



### FRONT VIEW CALIBRATION POTENTIOMETER HOLE LOCATION



To enable DPs (Pin 4-6) connect to Pin 3 (5V return)  
 Pin 3 should be tied to Pin 12 for normal operation  
 Connect Pins 7 & 8

Specifications Installation and Operating Instructions  
**LED Digital Panel Meters**

3½ Digit LED Display

**DLA-200LED**



**DIMENSIONS**

