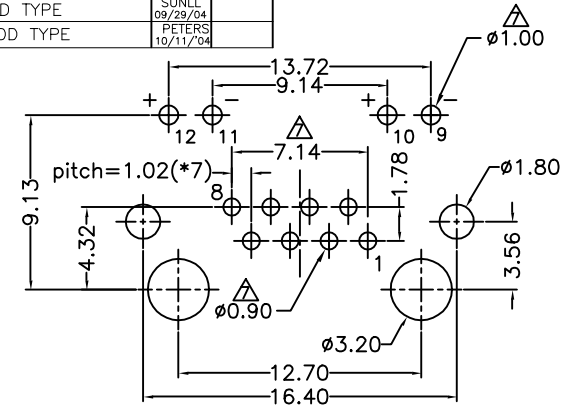
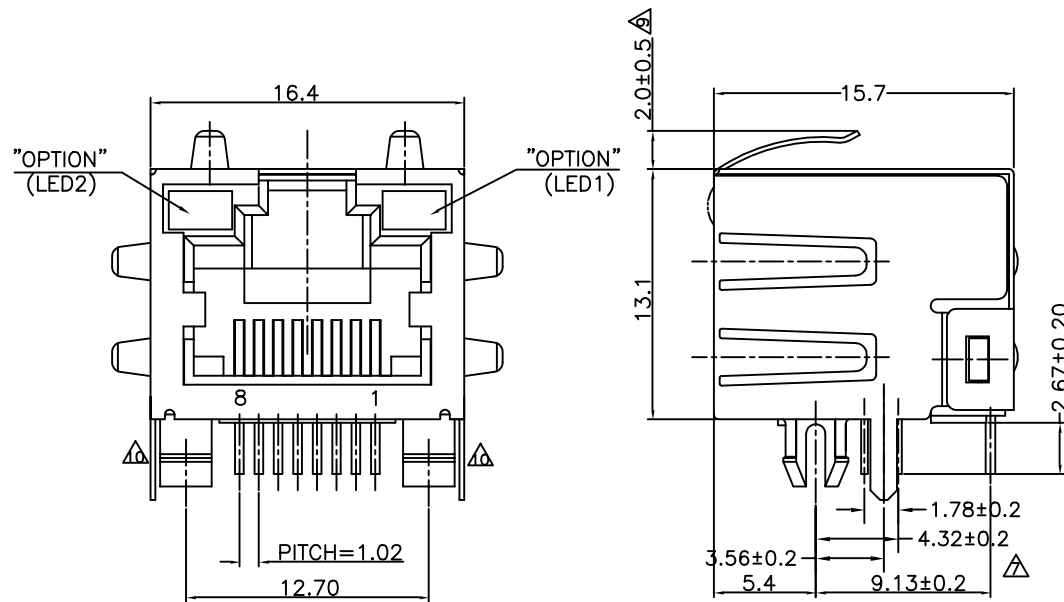
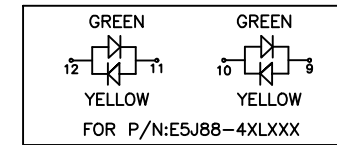


A1RFRD10

		REVISION RECORD				
ADD TYPE	JERRY	REV	ECO	DESCRIPTION	DRFT	CHKD
ADD TYPE	JERRY 1/4/2001					
EC NOTE & TYPE	JERRY 3/16/01					
Modify Dimension	Christ 3/11/02	△		EC NOTE & TYPE	JERRY 7/14/00	
Add notes	Christ 11/04/02	△		ADD LED TYPE	JERRY 7/25/00	
Add Dimension	Chi 4/11/03	△		EC NUMBER	JERRY 9/4/00	
Add Dimension	Jake 09/28/04	△		ADD TYPE	JERRY 9/11/00	
ADD TYPE	SUNLL 09/29/04					
ADD TYPE	PETERS 10/11/04					



PC Board Layout t=1.60mm
Component Side Shown



NOTES:

ELECTRICAL:

- VOLTAGE RATING : 125 VAC RMS.
- CURRENT RATING : 1.5 AMP.
- CONTACT RESISTANCE : 30 MILLIOHMS MAX.
- INSULATION RESISTANCE: 1000 MEGOHMS MIN @ 500 VDC.
- DIELECTRIC STRENGTH : 1000 VAC RMS 60Hz, 1MIN.
- LED RATINGS: FORWARD VOLTAGE: 2.2 VOLTS TYPICAL.
REVERSE VOLTAGE: 5 VOLTS MAXIMUM.
- OPERATING: 750 CYCLES MIN.

MECHANICAL:

- HOUSING MATERIAL : PBT+30%GF UL94V-0. COLOR-BLACK.
- INSERT MATERIAL : PBT+30%GF UL94V-0. COLOR-BLACK.
- LENS MATERIAL : PC UL94V-0. COLOR-CLEAR.
- BACK PLATE MATERIAL : PBT+30%GF. COLOR-BLACK.
- LED SIZE : 3.2*2.0*4.0*P=2.29mm.
- SHIELD MATERIAL : COPPER ALLOY 0.25mm THICKNESS PLATING NI.
- CONTACT MATERIAL : PHOSPHOR BRONZE 0.35mm THICKNESS OR Ø0.46mm.
- PLATING : GOLD PLATING OVER NICKEL.
- PCB RETENTION PRE-SOLDER : 1 LB MIN.
- PCB RETENTION POST-SOLDER: 10 LBS MIN.

ENVIRONMENTAL:

- STORAGE : -40°C TO +85°C.
 - OPERATION: 0°C TO 70°C.
 - SOLDERABILITY :245±5°C(3~5 SEC).
- MATES WITH MODULAR PLUG CONFORMING TO
FCC PART 68, SUBPART F.
CUL FILE NO. E163191

△△△ PART NUMBER: E 5J 8 8 - X X L X X X
△△

- 1-LED1:GREEN ,LED2:YELLOW
- 2-LED1:GREEN ,LED2:GREEN
- 3-LED1:YELLOW ,LED2:GREEN
- 4-LED1:G+Y ,LED2:G+Y
- 5-LED1:RED ,LED2:GREEN
- 7-LED1:YELLOW ,LED2:YELLOW
- E-LED1:GREEN,LED2:RED

- 0-W/O SHIELD
- 1-NO TAB
- 2-TOP TABS.
- 3-SIDE TABS.
- 4-TOP TABS & SIDE TABS.

- PLATING: 1-3u"
- 2-6u"
- 3-15u"
- 4-30u"
- 5-50u"
- A-TIN LEAD SHIELD STAMPED PIN
- B-NI SHIELD STAMPED PIN
- E-TIN LEAD SHIELD ROUND PIN
- F-NI SHIELD ROUND PIN
- 0-W/O LOGO W/ TINNED SHIELD LEGS
- △ 5-W/O LOGO W/O TINNED SHIELD LEGS

← MM (INCH) →		DFTO JERRY	DATE 3/28/00	FULL RISE ELECTRONIC CO., LTD	
TOLERANCES EXCEPT AS NOTED		CHKD JAKE	DATE 2004/10/12		
MFO		DATE		TITLE	
APPVL LUSHENG		DATE 2004/10/12		LED JACK	
MATERIAL :		QT'Y :		DRAWING NO. GE5J3A01	
ANGLES ±		FINISH :		/PART NO. SEE NOTE	
THIRD ANGLE PROJECTION		SCALE : 4:1		DO NOT SCALE DRAWING	
				SHEET 1 OF 1	