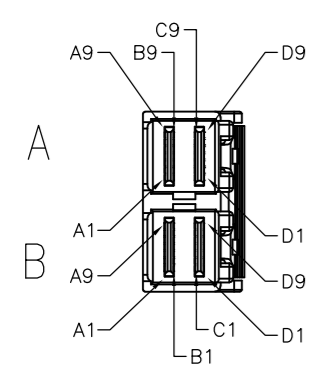
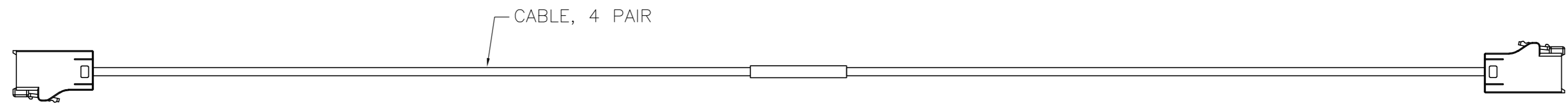
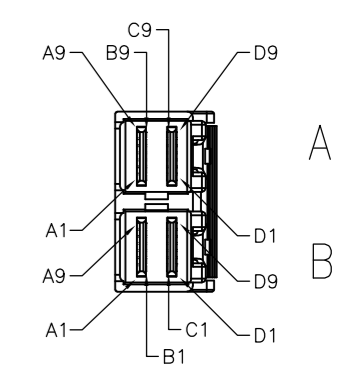


THIS DRAWING IS UNPUBLISHED. RELEASED FOR PUBLICATION
 © COPYRIGHT - By - ALL RIGHTS RESERVED.

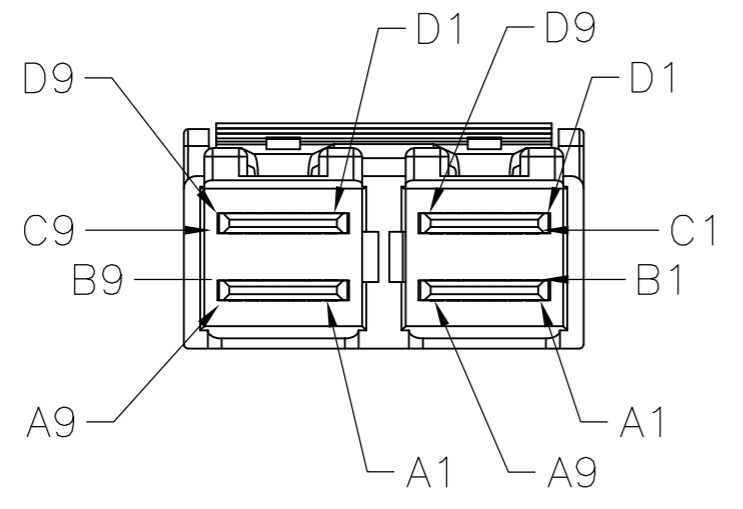
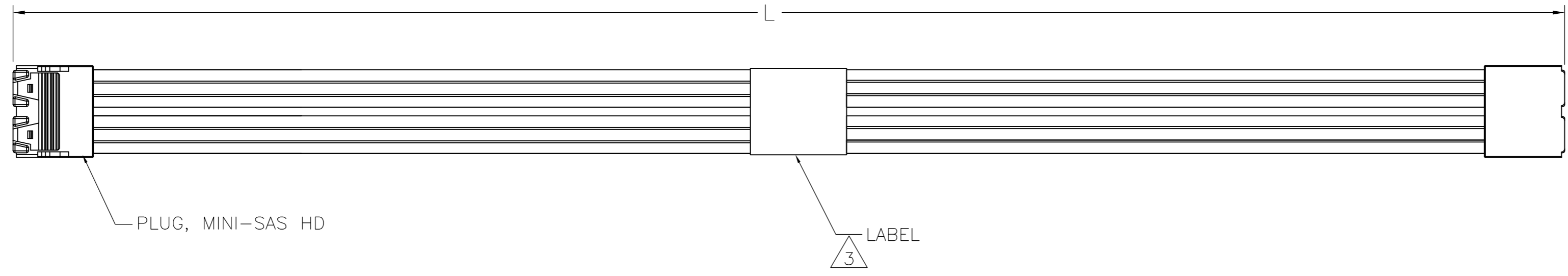
LOC	DIST	REVISIONS			
P	LTR	DESCRIPTION	DATE	DWN	APVD
GP	00	A	INITIAL RELEASE	07JUL2015	MY GG



P1



P2

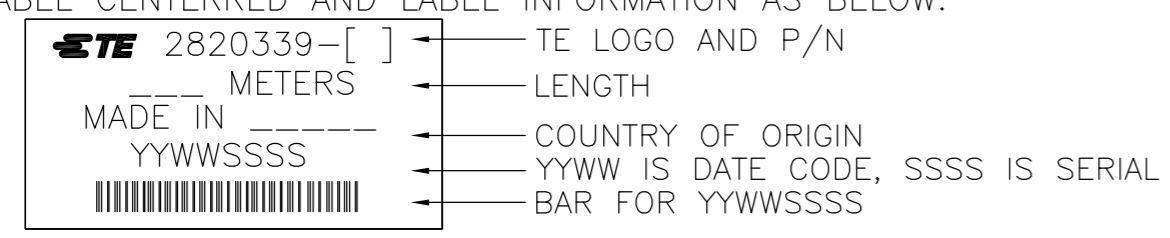


CONNECTOR FACE
-LATCH UP

1. ASSEMBLY TO BE 100% TESTED FOR CONTINUITY, SHORTS, AND OPENS, CABLES ASSEMBLYS ARE ALSO TO BE 100% TESTED FOR SIGNAL INTEGRITY, TO SAS 3.0 REQUIREMENTS.

2. ROHS AND REACH COMPLIANCE: PRODUCT AND PROCESSING MEETS REQUIREMENTS OF TE SPECIFICATION TEC-138-702.

3. LABEL CENTERED AND LABEL INFORMATION AS BELOW:



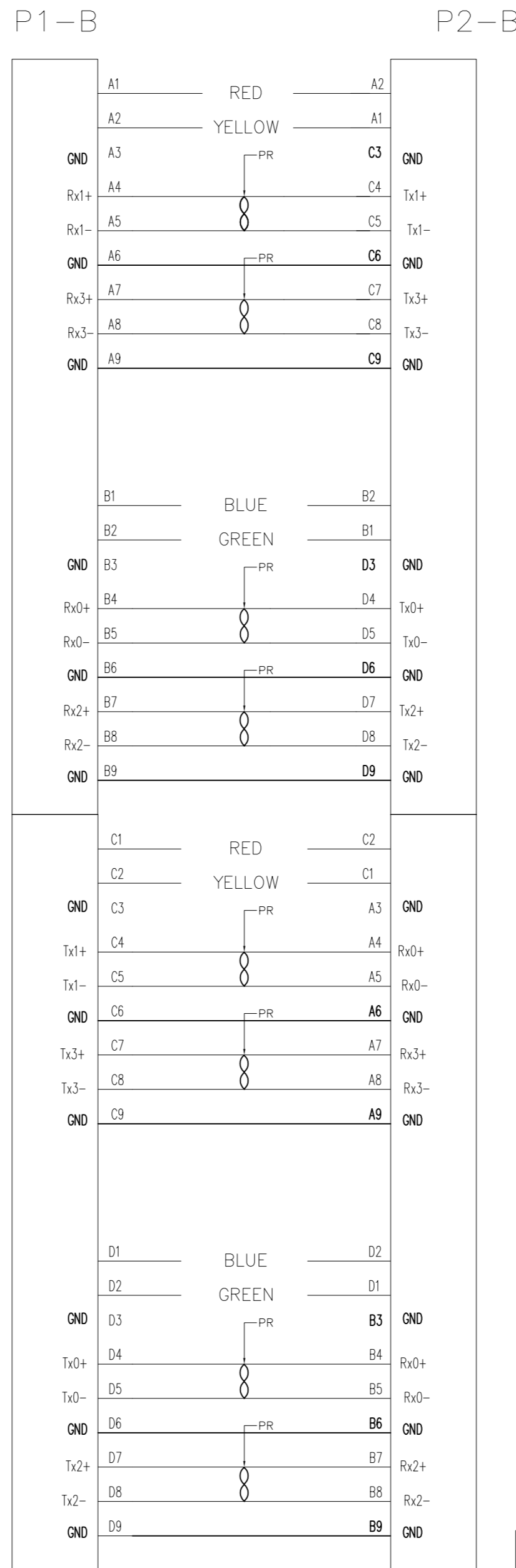
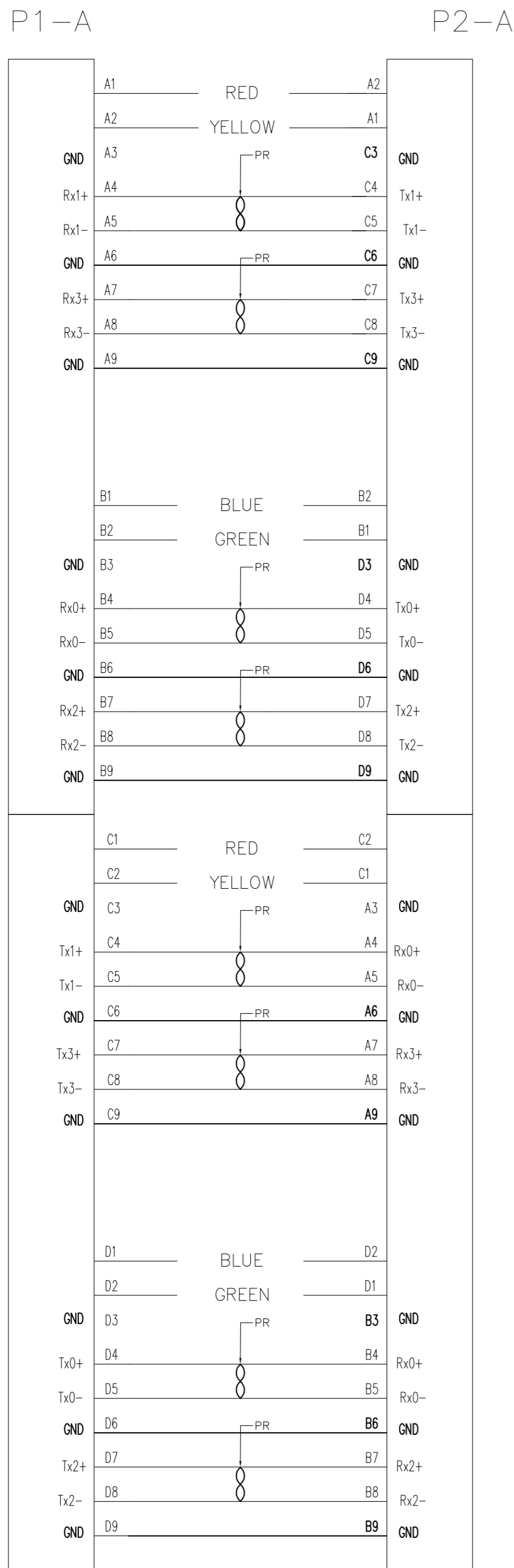
4. SEE SHEET #2 FOR WIRING SCHEMATIC.

500 +25 -0	2820339-2
300 +25 -0	2820339-1
"L"[MM]	TE P/N

THIS DRAWING IS A CONTROLLED DOCUMENT.		DWN	M.YI	16/JUN/2014	 TE Connectivity
DIMENSIONS:		CHK	G.GUTGOLD	16/JUN/2014	
mm	TOLERANCES UNLESS OTHERWISE SPECIFIED:	APVD	G.GUTGOLD	16/JUN/2014	
0 PLC ± -	1 PLC ± -	PRODUCT SPEC			
2 PLC ± -	3 PLC ± -	APPLICATION SPEC			NAME
4 PLC ± -	ANGLES ± -				C/A, INTERNAL HD MINI SAS, STR TO STR 85 OHMS, 8X, HALOGENATED
MATERIAL	FINISH	WEIGHT			SIZE
					A2
					CAGE CODE
					00779
					DRAWING NO
					C=2820339
					RESTRICTED TO
					-
					SCALE
					N.T.S.
					SHEET
					1 of 2
					REV
					A

THIS DRAWING IS UNPUBLISHED. RELEASED FOR PUBLICATION - . - .
 © COPYRIGHT - By - ALL RIGHTS RESERVED.

LOC	DIST	REVISIONS					
		P	LTR	DESCRIPTION	DATE	DWN	APVD
GP	00	-	-	SEE SHEET 1	-	-	-



WIRING PATTERN

THIS DRAWING IS A CONTROLLED DOCUMENT.		DWN M.YI 16/JUN/2014	STE TE Connectivity
DIMENSIONS: mm		CHK G.GUTGOLD 16/JUN/2014	
TOLERANCES UNLESS OTHERWISE SPECIFIED:		APVD G.GUTGOLD 16/JUN/2014	NAME C/A, INTERNAL HD MINI SAS, STR TO STR
0 PLC ± -		PRODUCT SPEC	85 OHMS, 8X, HALOGENATED
1 PLC ± -		APPLICATION SPEC	SIZE A2 CAGE CODE 00779 DRAWING NO C=2820339 RESTRICTED TO
2 PLC ± -		WEIGHT -	SCALE N.T.S. SHEET 2 OF 2 REV A
3 PLC ± -		CUSTOMER DRAWING	
4 PLC ± -			
ANGLES ± -			
MATERIAL - FINISH -			

2820339