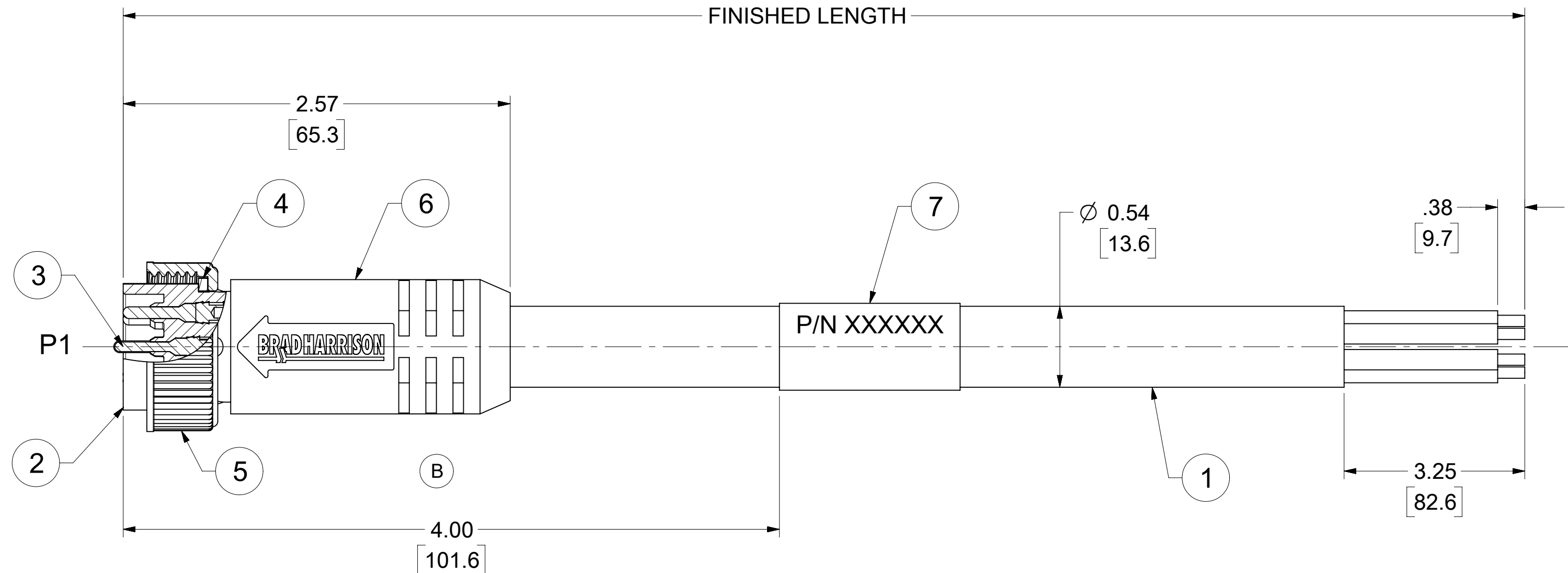
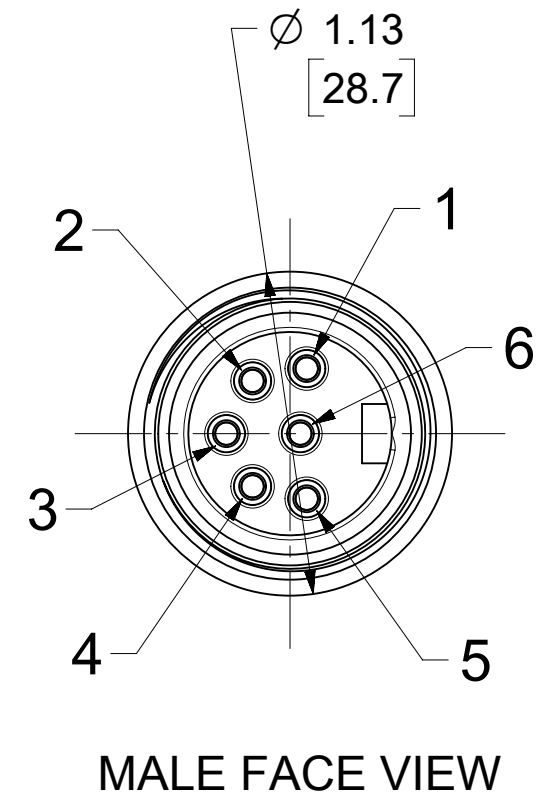
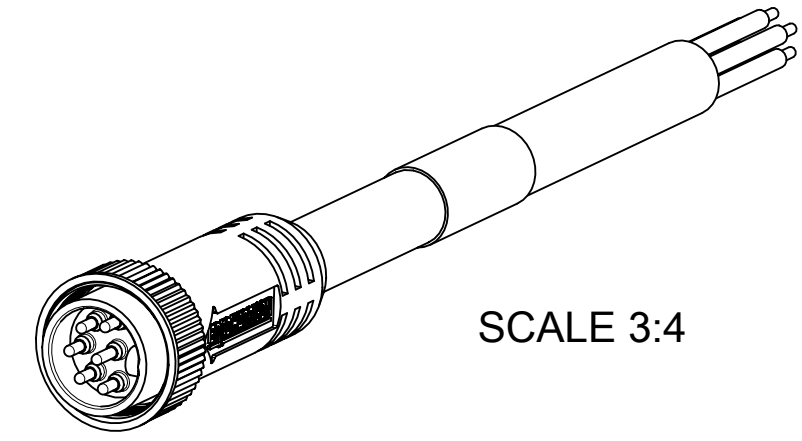


MATERIAL NO.	ENGINEERING NO.	FINISHED LENGTH
1300070049	206002A01F030	3 FT (0.91 M)
1300070054	206002A01F120	12 FT (3.66 M)
1300070057	206002A01F200	20 FT (6.10 M)

CABLE LENGTH TOLERANCES
 <.3M [1FT]: +19mm-0 [+.75in-0]
 .3 - .9M [1 - 3FT]: +44.5mm-0 [+1.75in-0]
 .9 - 1.8M [3 - 6FT]: +55.6mm-0 [+2.19in-0]
 1.8 - 3.7M [6 - 12FT]: +88.9mm-0 [+3.50in-0]
 3.7 - 7.3M [12 - 24FT]: +165.1mm-0 [+6.50in-0]
 7.3-14.6M [24 - 48FT]: +317.5mm-0 [+12.50in-0]
 14.6 - 30.5M [48-100FT]: +622.3mm-0 [+24.50in-0]
 OVER 30M [100FT] +2% OF FINISHED LENGTH



- NOTES:**
- MATERIAL: AS NOTED
 - FINISH: AS NOTED
 - ELECTRICAL:
 VOLTAGE: 400V PER IEC60664
 600V PER UL2238
 CURRENT: 8A
 - TEMP RATING: -20°C TO +105°C
 - PROTECTION: IP67 (WHEN MATED)
 - CSA CERTIFIED FILE: LR6837
 - UL RECOGNIZED FILE: E152210
 - COUPLING THREAD: 1"-16UN
 - ALL DIMS ARE FOR REFERENCE UNLESS TOLERANCED OR NOTED OTHERWISE

WIRING DIAGRAM

P1

1	ORANGE
2	BLUE
3	BLACK
4	WHITE
5	RED
6	GREEN/YELLOW

PART NUMBER LEGEND

206002A01F030

FINISHED LENGTH
 F001= .1 FT
 F020= 2 FT
 F200= 20 FT

ITEM	DESCRIPTION	MATERIAL	FINISH
7	WRAP LABEL	VINYL	BLACK/YELLOW
6	OVERMOLD	TPE	YELLOW
5	COUPLING NUT	ZINC DIE CAST	BLACK E-COAT
4	FRICTION RING	NYLON	WHITE
3	PIN CONTACT	Cu ALLOY	GOLD OVER NICKEL
2	MALE INSERT	TPE	YELLOW
1	#16-6 CABLE, STOOV/ST	PVC JACKET	YELLOW
DOCUMENT STATUS	P1	RELEASE DATE	2022/08/22 20:40:18

FUNCTIONAL SYMBOLS	THIS DRAWING CONTAINS INFORMATION THAT IS PROPRIETARY TO MOLEX ELECTRONIC TECHNOLOGIES, LLC AND SHOULD NOT BE USED WITHOUT WRITTEN PERMISSION																
	DIMENSION UNITS		SCALE		CURRENT REV DESC: UPDATED ITEM #2,6 WERE PVC, 7 WAS PLASTIC FILM, LABEL DIM., MATERIAL TABLE. ADDED CSA, UL, IEC VOLT, TEMP & IP RATING, PART NO. LEGEND & TOL. CHART.												
	INCH/MM		1.5:1		EC NO: 718076												
	GENERAL TOLERANCES (UNLESS SPECIFIED)				DRWN: VHANDI 2021/06/03												
DIVISIONAL SYMBOLS	4 PLACES ±		±		CHK'D: RSTONE 2022/08/18												
	3 PLACES ±		±		APPR: BWOODMAN 2022/08/22												
	2 PLACES ±		±		INITIAL REVISION:												
	1 PLACE ±		±		DRWN: BRUPERT 2009/06/02												
0 PLACES ±		±		APPR: JFMURPHY 2009/06/10													
ANGULAR TOL ± °		± °		THIRD ANGLE PROJECTION		DRAWING		SERIES		DOCUMENT NUMBER		DOC TYPE		DOC PART		REVISION	
DRAFT WHERE APPLICABLE MUST REMAIN WITHIN DIMENSIONS				C-SIZE		130007		SD-130007-002		PSD		001		B			
								MATERIAL NUMBER		CUSTOMER		SHEET NUMBER					
								SEE TABLE		GENERAL MARKET		1 OF 1					