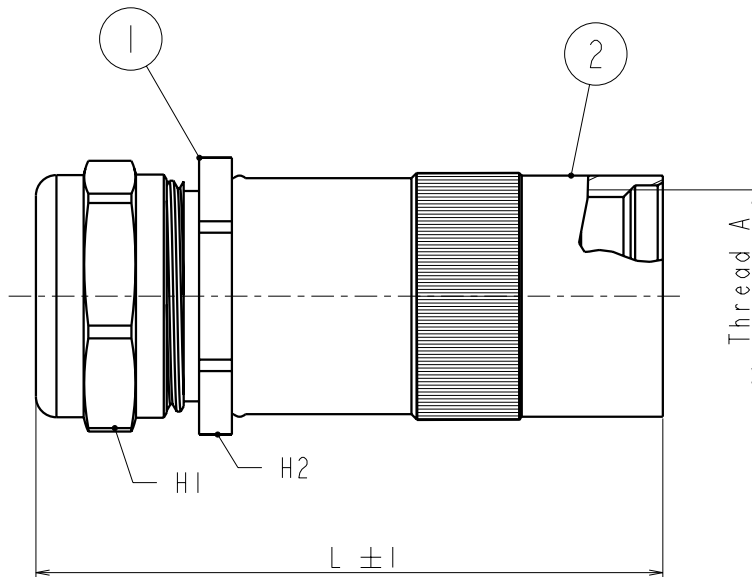


Reference	∅ ISO	L (mm)	H1 (mm)	H2 (mm)	Clamping range min/max	Torque (Nm) on the hood	Torque (Nm) on the body	Thread A
UTO10JC	M16	60.5	14	17	03/06	5	6	9/16-24 UNEF Class 2A
UTO10JCL	M16	60.5	17	17	05/08	5	6	9/16-24 UNEF Class 2A
UTO12JC	M20	61.5	20	22	06/10	8	10	11/16-24 UNEF Class 2A
UTO12JCL	M20	62.5	22	22	08/12	8	10	11/16-24 UNEF Class 2A
UTO14JC	M20	67.5	20	22	06/10	8	10	13/16-20 UNEF Class 2A
UTO14JCL	M20	68.5	22	22	08/12	8	10	13/16-20 UNEF Class 2A
UTO16JC	M25	73.5	24	26	9.5/14	12	14	15/16-20 UNEF Class 2A
UTO16JCL	M25	79.5	30	30	11.5/18	12	14	15/16-20 UNEF Class 2A
UTO18JC	M25	76.0	24	26	9.5/14	12	14	1" 1/16-18 UNEF Class 2A
UTO18JCL	M25	82.0	30	30	11.5/18	12	14	1" 1/16-18 UNEF Class 2A
UTO20JC	M32	84.0	30	33	11.5/18	20	24	1" 3/16-18 UNEF Class 2A
UTO20JCL	M32	91.0	40	40	15/24	20	24	1" 3/16-18 UNEF Class 2A
UTO22JC	M32	88.0	30	33	11.5/18	20	24	1" 5/16-18 UNEF Class 2A
UTO22JCL	M32	95.0	40	40	15/24	20	24	1" 5/16-18 UNEF Class 2A
UTO24JC	M32	92.0	30	33	11.5/18	20	24	1" 7/16-18 UNEF Class 2A
UTO24JCL	M32	99.0	40	40	15/24	20	24	1" 7/16-18 UNEF Class 2A



MATERIAL :

Cable clamp: Brass nickel plated
 Tube: Brass nickel plated

PERFORMANCE CHARACTERISTICS :

Operating temperature: -40°C up to 105°C
 Corrosion salt spray: 96 hours

B	05/05/04	--	Add large backshell part number	--
ISS	DATE	Latest modification - by:	C. PROVOST	MOD N°
Designed by:		C. PROVOST	Date: 11/03/04	Type of drawing: ASSEMBLAGE
Checked by:		SEE DISTRIBUTION LIST	Date: SEE DISTRIBUTION LIST	
TITLE		Connector UTO et UTOW Kit cable clamp with tube		
Scale	General angular	MATERIAL : --		
3/1	Tolerances: ± --			
General linear	General machining	Geometrical Tolerances	PROJECT	
	Tolerances: ±---	surface texture	See NF E 04-552	MSK1
		SOURIAU Route Nationale 23 72470 CHAMPAGNE Tel. (33)02.43.54.35.00		This document is the property of SOURIAU It must not be reproduced or communicated without permission
FORMAT	SOURIAU DRG N°			SHEET
A2	UTOXXJC-C02			1 / 1