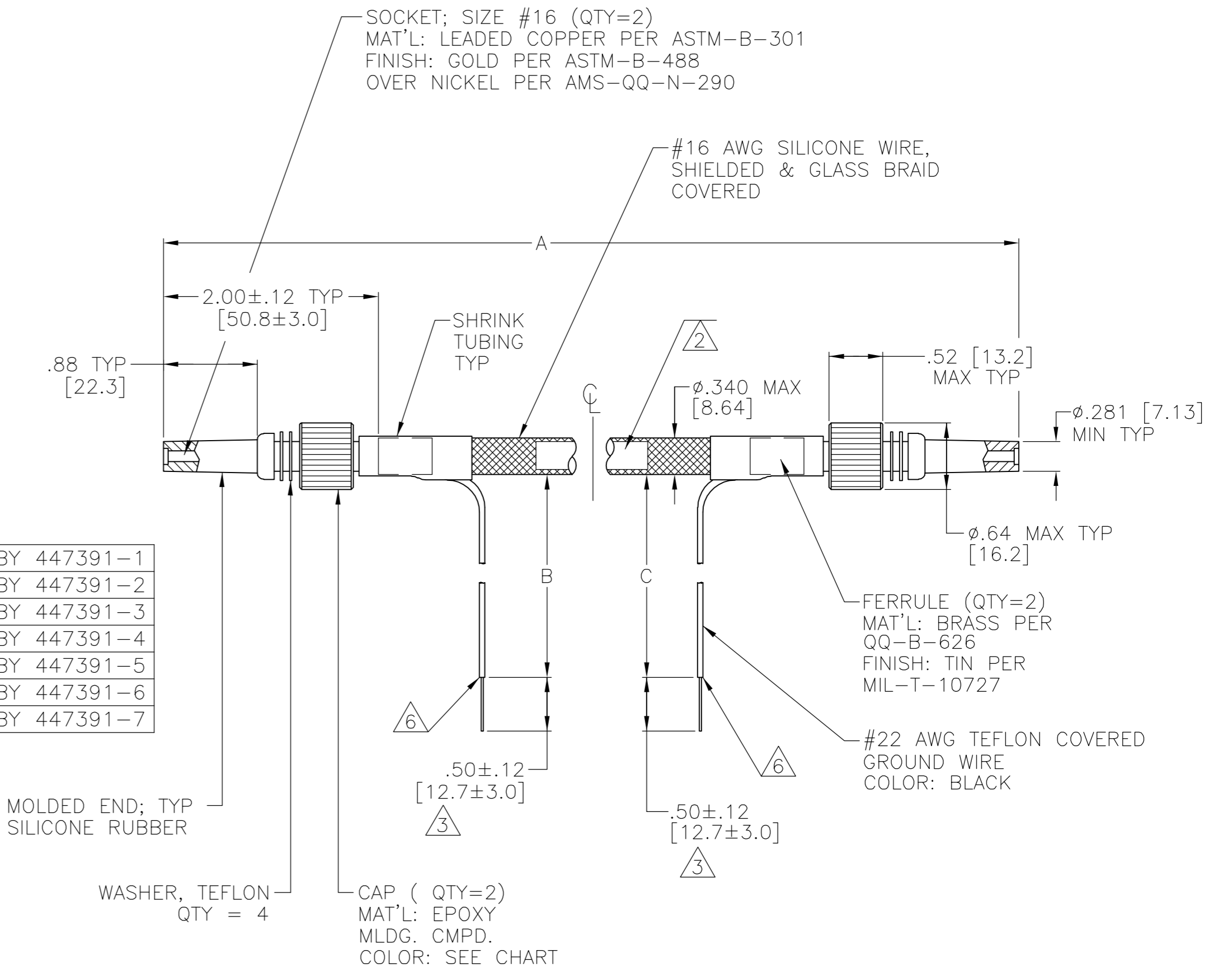


THIS DRAWING IS UNPUBLISHED. RELEASED FOR PUBLICATION - N/A .  
 © COPYRIGHT N/A BY TYCO ELECTRONICS CORPORATION. ALL RIGHTS RESERVED.

| LOC |     | DIST                  |  | REVISIONS |     |      |  |
|-----|-----|-----------------------|--|-----------|-----|------|--|
| P   | LTR | DESCRIPTION           |  | DATE      | DWN | APVD |  |
| W   |     | REV PER ECO-05-002357 |  | 08-05     | AA  | DE   |  |

| PART NO.   | A <sup>1</sup>   | B <sup>1</sup> | C <sup>1</sup> | CAP COLOR | REMARKS                             |
|------------|------------------|----------------|----------------|-----------|-------------------------------------|
| 849104-1   | 24.00 [609.6]    | 6.00 [152.4]   | -              | RED       | <sup>3</sup> OBSOLETE               |
| 849104-2   | 96.00 [2438.4]   | 6.00 [152.4]   | -              | RED       | <sup>3</sup>                        |
| 849104-3   | 48.00 [1219.2]   | 6.00 [152.4]   | -              | RED       | <sup>3</sup>                        |
| 849104-4   | 15.00 [381.0]    | 6.00 [152.4]   | -              | RED       | <sup>3</sup> OBSOLETE               |
| 849104-5   | 8.00 [203.2]     | 6.00 [152.4]   | -              | RED       | <sup>3</sup>                        |
| 849104-6   | 120.00 [3048.0]  | 6.00 [152.4]   | -              | RED       | <sup>3</sup>                        |
| 849104-7   | 240.00 [6096.0]  | 6.00 [152.4]   | -              | RED       | <sup>3</sup> OBSOLETE               |
| 849104-8   | 10.00 [254.0]    | 6.00 [152.4]   | -              | RED       | <sup>3</sup>                        |
| 849104-9   | 72.00 [1828.8]   | 6.00 [152.4]   | 6.00 [152.4]   | RED       | <sup>3</sup> OBSOLETE               |
| 1-849104-0 | 80.00 [2032.0]   | 20.00 [508.0]  | 20.00 [508.0]  | RED       | <sup>3</sup> OBSOLETE               |
| 1-849104-1 | 26.00 [660.4]    | 6.00 [152.4]   | 6.00 [152.4]   | RED       | <sup>3</sup> OBSOLETE               |
| 1-849104-2 | 14.00 [355.6]    | 6.00 [152.4]   | 6.00 [152.4]   | RED       | <sup>3</sup> OBSOLETE               |
| 1-849104-3 | 144.00 [3657.6]  | 6.00 [152.4]   | 6.00 [152.4]   | RED       | <sup>3</sup> OBSOLETE               |
| 1-849104-4 | 216.00 [5486.4]  | 6.00 [152.4]   | 6.00 [152.4]   | RED       | <sup>3</sup> OBSOLETE               |
| 1-849104-5 | 18.00 [457.2]    | 6.00 [152.4]   | -              | RED       | <sup>3</sup>                        |
| 1-849104-6 | 24.00 [609.6]    | 6.00 [152.4]   | 6.00 [152.4]   | RED       | <sup>3</sup> OBSOLETE               |
| 1-849104-7 | 36.00 [914.4]    | 6.00 [152.4]   | -              | RED       | <sup>3</sup>                        |
| 1-849104-8 | 300.00 [7620.0]  | 6.00 [152.4]   | -              | RED       | <sup>3</sup> OBSOLETE               |
| 1-849104-9 | 36.00 [914.4]    | 6.00 [152.4]   | 6.00 [152.4]   | RED       | <sup>3</sup>                        |
| 2-849104-0 | 180.00 [4572.0]  | 6.00 [152.4]   | 6.00 [152.4]   | RED       | <sup>3</sup> OBSOLETE               |
| 2-849104-1 | 39.00 [990.6]    | 6.00 [152.4]   | 6.00 [152.4]   | RED       | <sup>3</sup> OBSOLETE               |
| 2-849104-2 | 840.00 [21336.0] | 6.00 [152.4]   | 6.00 [152.4]   | RED       | <sup>3</sup> OBSOLETE               |
| 2-849104-3 | 600.00 [15240.0] | 6.00 [152.4]   | 6.00 [152.4]   | RED       | <sup>3</sup> OBSOLETE               |
| 2-849104-4 | 60.00 [1524.0]   | 6.00 [152.4]   | 6.00 [152.4]   | RED       | <sup>3</sup> OBSOLETE               |
| 2-849104-5 | 19.00 [482.6]    | 6.00 [152.4]   | -              | GREEN     | <sup>3</sup> SUPERSEDED BY 447391-1 |
| 2-849104-6 | 27.00 [685.8]    | 6.00 [152.4]   | -              | GREEN     | <sup>3</sup> SUPERSEDED BY 447391-2 |
| 2-849104-7 | 35.00 [889.0]    | 6.00 [152.4]   | -              | GREEN     | <sup>3</sup> SUPERSEDED BY 447391-3 |
| 2-849104-8 | 42.00 [1066.8]   | 6.00 [152.4]   | -              | GREEN     | <sup>3</sup> SUPERSEDED BY 447391-4 |
| 2-849104-9 | 51.00 [1295.4]   | 6.00 [152.4]   | -              | GREEN     | <sup>3</sup> SUPERSEDED BY 447391-5 |
| 3-849104-0 | 59.00 [1498.6]   | 6.00 [152.4]   | -              | GREEN     | <sup>3</sup> SUPERSEDED BY 447391-6 |
| 3-849104-1 | 67.00 [1701.8]   | 6.00 [152.4]   | -              | GREEN     | <sup>3</sup> SUPERSEDED BY 447391-7 |
| 5-849104-3 | 48.00 [1219.2]   | 6.00 [152.4]   | -              | RED       | <sup>6</sup>                        |
| 6-849104-7 | 36.00 [914.4]    | 6.00 [152.4]   | -              | RED       | <sup>6</sup>                        |



- <sup>1</sup> TOLERANCE OF LEAD LENGTH:  
 UP TO 24 INCHES [609.6] = ±.12 [±3.0]  
 24 INCHES [609.6] & UP = ±1%
- <sup>2</sup> MARKED PER MIL-STD-130.
- <sup>3</sup> PIGTAILS ARE SOLDER DIPPED.
- 4. TO MATE WITH AMP LGH-1 RECEPTACLE WITH .88 [22.3] BARREL DEPTH.
- 5. OPERATING VOLTAGE: 20 KVDC AT 0 TO 70,000 FEET, -55°C TO 125°C.
- <sup>6</sup> INSULATION CUT, BUT NOT REMOVED.

|   |  |        |              |   |
|---|--|--------|--------------|---|
| THIS DRAWING IS A CONTROLLED DOCUMENT.  |  | DWN    | 15-JUN-90    | <br>Tyco Electronics Corporation<br>Harrisburg, Pa 17105-3608 |
| DIMENSIONS: INCHES [mm]   |  | CHK    | 16-JUL-90    |   |
| TOLERANCES UNLESS OTHERWISE SPECIFIED:  |  | APVD   | 16-JUL-90    |   |
| MATERIAL SEE CALLOUTS   |  | FINISH | SEE CALLOUTS |   |
| 0 PLC ± -<br>1 PLC ± -<br>2 PLC ± .02 [0.5]<br>3 PLC ± -<br>4 PLC ± -<br>ANGLES ± - |  | NAME   |              | LEAD ASSY   |
| CUSTOMER DRAWING  |  | SCALE  |              | 1:1   |
| SEE CALLOUTS  |  | SHEET  |              | 1 OF 1  |
| SEE CALLOUTS  |  | REV    |              | W   |