



## HCF69273xN

### Omni-directional Antenna 698-960 MHz/1690-2700 MHz

This Laird LTE HCF69273 omni-directional antenna is a tough low-profile antenna for outdoor or indoor applications. This antenna provides frequency agility, low visibility, wide bandwidth and a low angle radiation pattern that is superior to traditional gain antennas in most applications. The HCF69273 antenna is available in various industry-standard mounting configurations including a threaded permanent stud mount model for vandal resistant mounting on brackets, panels, ceilings, or any other kind of housing.

### FEATURES AND BENEFITS

- Multi-band operation: 698-960 MHz/1690-2700 MHz
- Meets IP67 protection rating for dust tight seal and temporary water immersion
- Permanent mount with coaxial pigtail is ideal for radios within a metal enclosure
- Conformance to RoHS

#### ELECTRICAL SPECIFICATIONS

Operating Frequency (MHz)	698-824	824-894	880-960	1690-1880	1850-1990	1920-2170	2300-2500	2500-2700
Peak Gain - Avg (dBi)	1.0	1.2	1.0	2.8	3.1	3.3	3.3	3.4
Peak Gain - Max (dBi)	1.5	1.2	1.2	3.3	3.4	3.6	3.5	3.8
VSWR - Avg	<1.8	<1.8	<2.1	<1.4	<1.6	<1.5	<1.3	<1.6
VSWR - Max	<2.6:1			<2.0:1				
Nominal Impedance (Ohms)	50							
Max Power - Ambient 25°C (W)	10							
Polarization	Vertical							
Azimuth 3 dB Beamwidth	360° (Omnidirectional)							

#### MECHANICAL SPECIFICATIONS

Dimensions - height x diameter - mm (inches)	80.0 x 37.0 (3.2 x 1.5)
Weight - kg (lbs.)	0.10 (0.22)
Radome	PC, Lexan EXL9330, UV Resistant, UL94 V-0
Antenna Color	Black/White
Installation Torque (Nm)	4-6

## ENVIRONMENTAL SPECIFICATIONS

Operating Environment (Indoor or Outdoor)	Indoor and Outdoor
Operating Temperature - °C (°F)	-30 to +70 (-22 to +158)
Storage Temperature - °C (°F)	-40 to +85 (-40 to +185)
Ingress Protection Rating	IP67
Material Substance Compliance	RoHS

## CONFIGURATION

PART NUMBER	CABLE TYPE	CABLE LENGTH	CONNECTOR	COLOR
HCF69273BN-60A	Ultralink 092463	60.8 cm (24 in.)	SMA Male	Black
HCF69273WN-60A	Ultralink 092463	60.8 cm (24 in.)	SMA Male	White

PACKAGED DIMENSIONS	CARTON	AIR PALLET	OCEAN PALLET
Number of Antennas	50	900	1,200
Height - cm (in.)	30.1 (11.85)	104.0 (41.0)	135.0 (53.15)
Length - cm (in.)	26.6 (10.47)	120.0 (47.24)	120.0 (47.24)
Width - cm (in.)	52.6 (20.71)	80.0 (31.5)	80.0 (31.5)
Shipping Weight - kg (lb.)	7.325 (16.15)	141.85 (312.73)	185.8 (409.62)

## PACKAGING INFORMATION

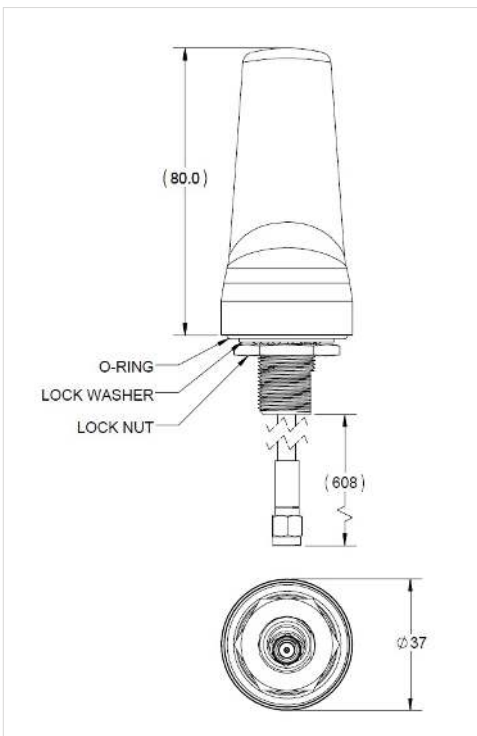


FIGURE 1: HCF69273XN MECHANICAL DRAWING

## MOUNTING OPTIONS

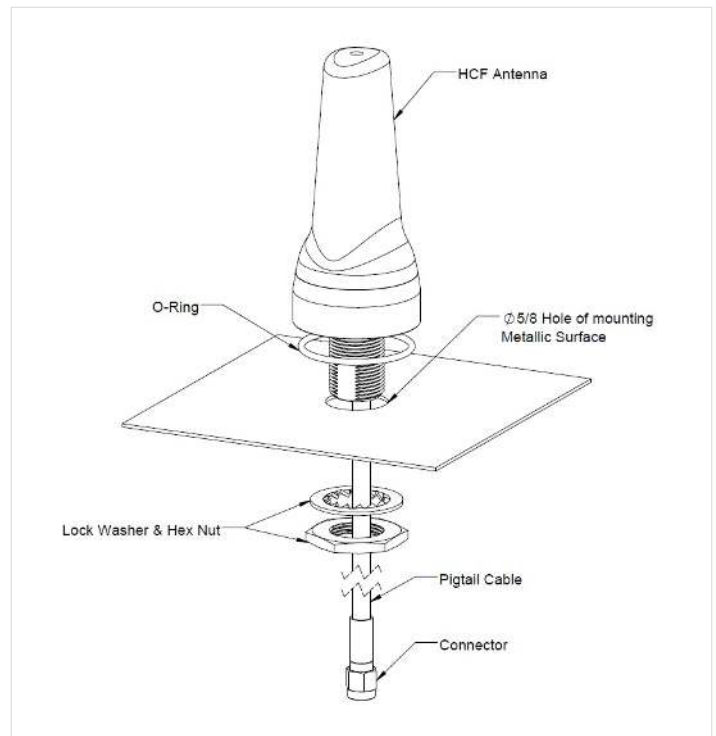
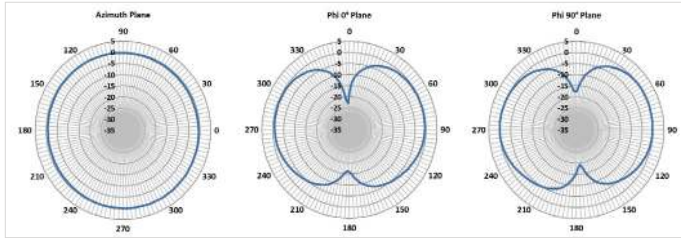


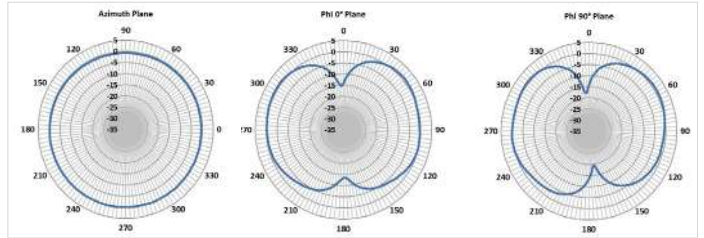
FIGURE 2: HCF6927M3 MOUNTING

# RADIATION PATTERNS

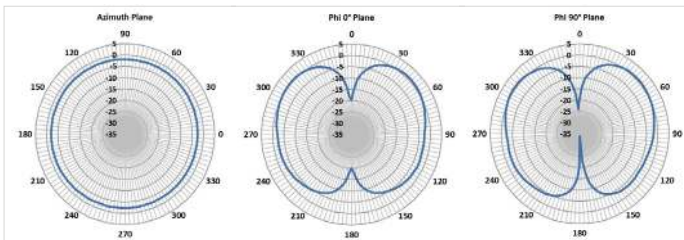
## 698 MHz



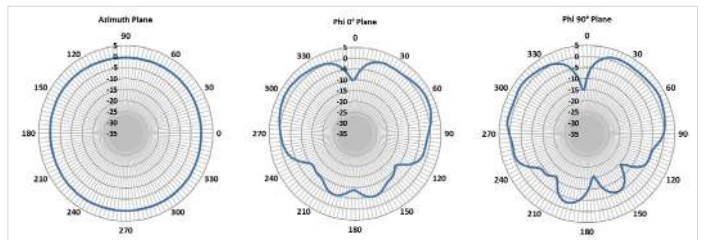
## 824 MHz



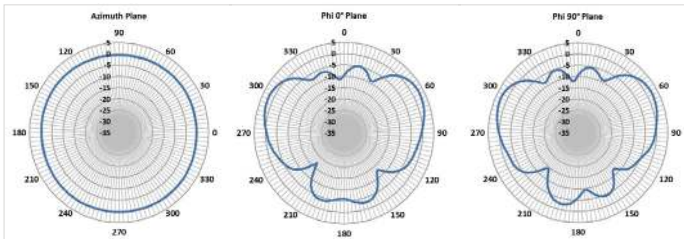
## 960 MHz



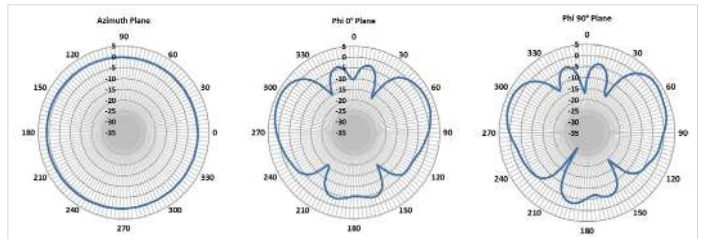
## 1690 MHz



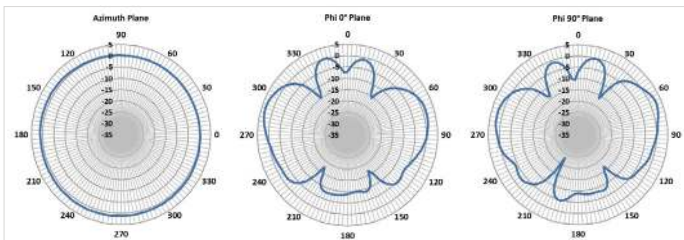
## 1950 MHz



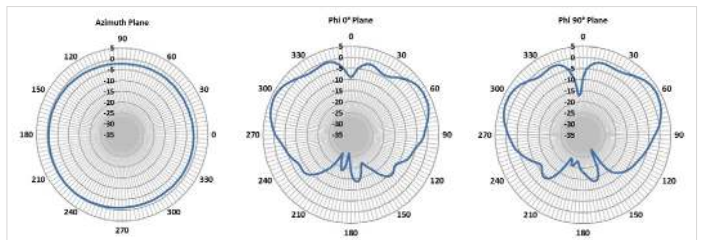
## 2170 MHz



## 2412 MHz



## 2700 MHz



---

## TE TECHNICAL SUPPORT CENTER

USA:	+1 (800) 522-6752
Canada:	+1 (905) 475-6222
Mexico:	+52 (0) 55-1106-0800
Latin/S. America:	+54 (0) 11-4733-2200
Germany:	+49 (0) 6251-133-1999
UK:	+44 (0) 800-267666
France:	+33 (0) 1-3420-8686
Netherlands:	+31 (0) 73-6246-999
China:	+86 (0) 400-820-6015

## te.com

TE Connectivity, TE Connectivity (logo) and Every Connection Counts are trademarks. All other logos, products and/or company names referred to herein might be trademarks of their respective owners.

The information given herein, including drawings, illustrations and schematics which are intended for illustration purposes only, is believed to be reliable. However, TE Connectivity makes no warranties as to its accuracy or completeness and disclaims any liability in connection with its use. TE Connectivity's obligations shall only be as set forth in TE Connectivity's Standard Terms and Conditions of Sale for this product and in no case will TE Connectivity be liable for any incidental, indirect or consequential damages arising out of the sale, resale, use or misuse of the product. Users of TE Connectivity products should make their own evaluation to determine the suitability of each such product for the specific application.

TE warrants to the original end user customer of its products that its products are free from defects in material and workmanship. Subject to conditions and limitations TE will, at its option, either repair or replace any part of its products that prove defective because of improper workmanship or materials. This limited warranty is in force for the useful lifetime of the original end product into which the TE product is installed. Useful lifetime of the original end product may vary but is not to exceed five (5) years from the original date of the end product purchase.

©2021 TE Connectivity. All Rights Reserved.

11/21 Original

