

963143-1 ✓ ACTIVE

AMP | MQS

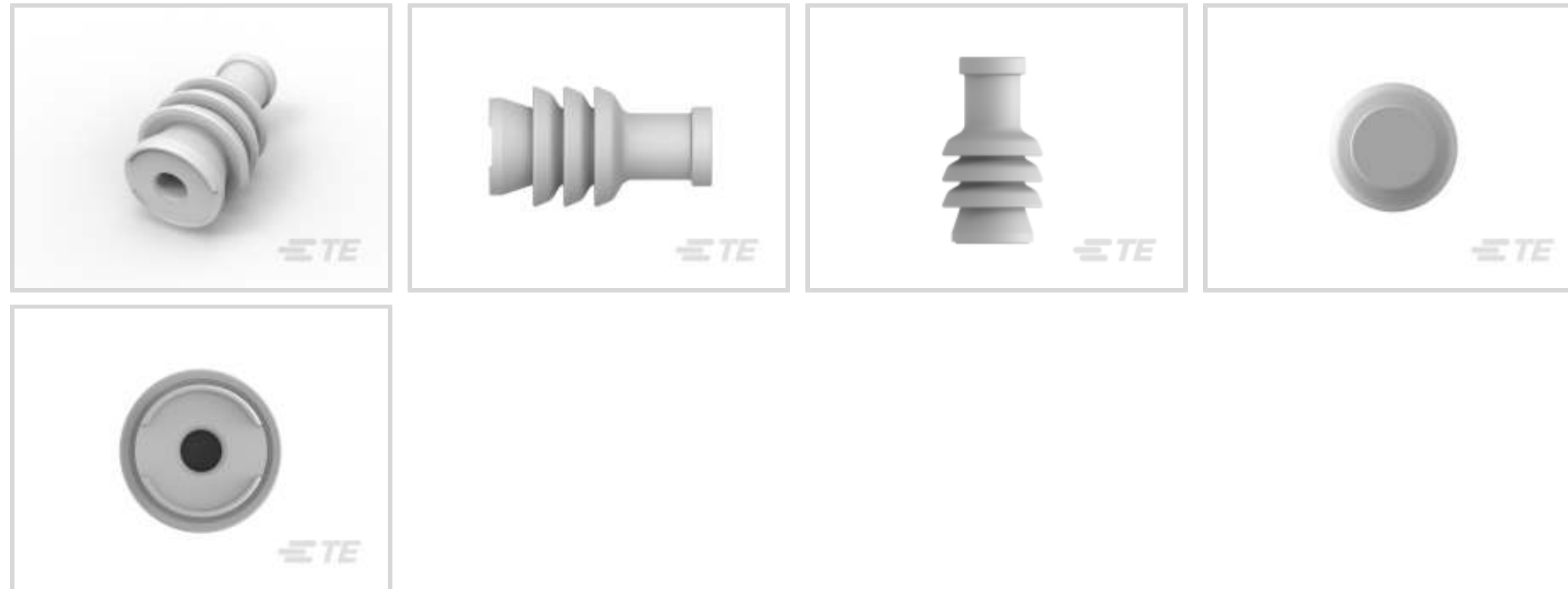
TE Internal #: 963143-1

Automotive Seals & Cavity Plugs, Cavity Blanking Plug, Cavity Diameter .157 in [4 mm], Silicone, Poor, 60, White, -40 – 266 °F [-40 – 130 °C], MQS

[View on TE.com >](#)



Connectors > Automotive Connectors > Automotive Seals & Cavity Plugs



Connector Seal & Plug Type: **Cavity Blanking Plug**

Cavity Diameter: **4 mm [.157 in]**

Compatible Insulation Diameter Range: **4.7 mm [.185 in]**

Primary Product Material: **Silicone**

Resistance to Hydrocarbons: **Poor**

## Features

### Product Type Features

Connector Seal & Plug Type	Cavity Blanking Plug
----------------------------	----------------------

### Body Features

Primary Product Material	Silicone
--------------------------	----------

Primary Product Color	White
-----------------------	-------

### Dimensions

Cavity Diameter	4 mm [.157 in]
-----------------	----------------

Compatible Insulation Diameter Range	4.7 mm [.185 in]
--------------------------------------	------------------

### Usage Conditions

Operating Temperature (Max)	65 °C, 70 °C, 75 °C, 80 °C, 85 °C, 90 °C, 100 °C, 105 °C, 110 °C, 120 °C, 125 °C, 130 °C [149 °F][158 °F][167 °F][176 °F][185 °F][194 °F][212 °F][221 °F][230 °F][248 °F][257 °F][266 °F]
-----------------------------	--

Operating Temperature Range	-40 – 130 °C [-40 – 266 °F]
-----------------------------	-----------------------------

### Industry Standards

UL Flammability Rating	None
------------------------	------

### Other

Resistance to Hydrocarbons	Poor
----------------------------	------

Shore A Hardness	60
------------------	----

Contains Lubricant	No
--------------------	----

## Product Compliance

[For compliance documentation, visit the product page on TE.com>](#)

EU RoHS Directive 2011/65/EU	Compliant
------------------------------	-----------

EU ELV Directive 2000/53/EC	Compliant
-----------------------------	-----------

China RoHS 2 Directive MIIT Order No 32, 2016	No Restricted Materials Above Threshold
---	---

EU REACH Regulation (EC) No. 1907/2006	Current ECHA Candidate List: JUNE 2023 (235) Candidate List Declared Against: JAN 2023 (233) Does not contain REACH SVHC
--	--

Halogen Content	Low Halogen - Br, Cl, F, I < 900 ppm per homogenous material. Also BFR/CFR/PVC Free
-----------------	---

Solder Process Capability	Not applicable for solder process capability
---------------------------	--

#### Product Compliance Disclaimer

This information is provided based on reasonable inquiry of our suppliers and represents our current actual knowledge based on the information they provided. This information is subject to change. The part numbers that TE has identified as EU RoHS compliant have a maximum concentration of 0.1% by weight in homogenous materials for lead, hexavalent chromium, mercury, PBB, PBDE, DBP, BBP, DEHP, DIBP, and 0.01% for cadmium, or qualify for an exemption to these limits as defined in the Annexes of Directive 2011/65/EU (RoHS2). Finished electrical and electronic equipment products will be CE marked as required by Directive 2011/65/EU. Components may not be CE marked. Additionally, the part numbers that TE has identified as EU ELV compliant have a maximum concentration of 0.1% by weight in homogenous materials for lead, hexavalent chromium, and mercury, and 0.01% for cadmium, or qualify for an exemption to these limits as defined in the Annexes of Directive 2000/53/EC (ELV). Regarding the REACH Regulation, the information TE provides on SVHC in articles for this part number is based on the latest European Chemicals Agency (ECHA) 'Guidance on requirements for substances in articles' posted at this URL: <https://echa.europa.eu/guidance-documents/guidance-on-reach>

## Compatible Parts




TE Part # CAT-M8793-CH8172  
MQS, CONNECTOR HOUSING



TE Part # 1488991-6  
3POS, MCON 1.2 CB REC 2p TL SEALED



TE Part # 1-1670915-1  
2POS, MCON 1.2 LL REC SEALED



TE Part # 1488991-5  
3POS, MCON 1.2 CB REC 2p TL SEALED



TE Part # 1801600-1  
RECEPTACLE HOUSING, MCON, 10 W, SEALED



TE Part # 1-1718643-1  
2POS, MCON 1.2 LL REC SEALED



TE Part # 1488991-2  
3POS, MCON 1.2 CB REC 2p TL SEALED



TE Part # 2297911-1  
12 WAY IN-LINE TAB PLUG ASSY SEALED



TE Part # 2297907-1  
12 WAY IN-LINE REC PLUG ASSY



TE Part # 1801600-4  
RECEPTACLE HOUSING, MCON, 10 W, SEALED



TE Part # 1-1456426-6  
4POS, MCON 1.2 CB REC 2p TL SEALED



TE Part # 1-1456426-5  
4POS, MCON 1.2 CB REC 2p TL SEALED



TE Part # 2-1718643-1  
2POS, MCON 1.2 LL REC SEALED



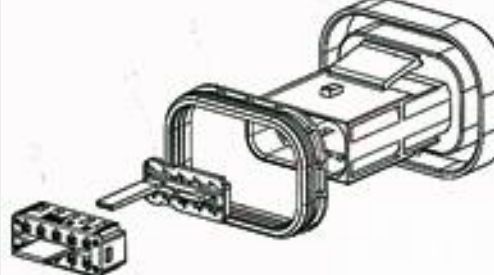
TE Part # 3-1718643-1  
2POS, MCON 1.2 LL REC SEALED



TE Part # 1488991-1  
3POS, MCON 1.2 CB REC 2p TL SEALED



TE Part # 1-1924067-1  
2POS, MCON 1.2 CB REC 2p TL SEALED



TE Part # 1801610-1  
BULK HEAD, MCON, 10W, CLIPPED



TE Part # 1488991-3  
3POS, MCON 1.2 CB REC 2p TL SEALED



TE Part # 1-2296063-2  
CABLE EXIT, RECT, 90DEG



TE Part # 1801600-2  
RECEPTACLE HOUSING, MCON, 10 W, SEALED

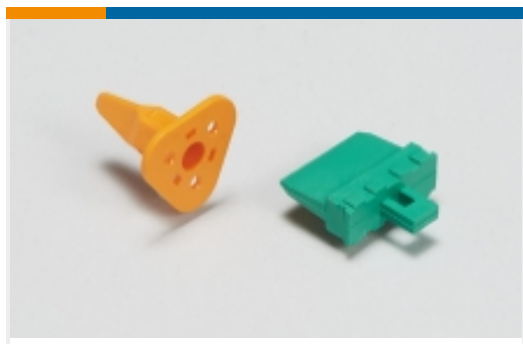
Also in the Series | MQS



Automotive Connector Caps & Covers (139)



Automotive Connector EMC Shielding (3)



Automotive Connector Locks & Position Assurance(30)



Automotive Housings(506)



Automotive Seals & Cavity Plugs(27)



Automotive Terminals(104)



Insertion & Extraction Tools(42)



Other Automotive Connector Accessories(14)



PCB Headers & Receptacles(214)

## Customers Also Bought



TE Part #953698-1  
MQS, CONNECTOR HOUSING



TE Part #1801174-1  
2W TAB HP CONNECTOR BLACK



TE Part #1379659-3  
8W PLUG HOUSING ASSY BLUE



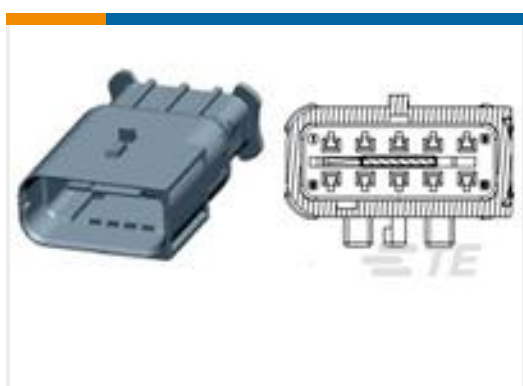
TE Part #1379095-2  
COV+LEV MQS 12W 0DEG BLUE



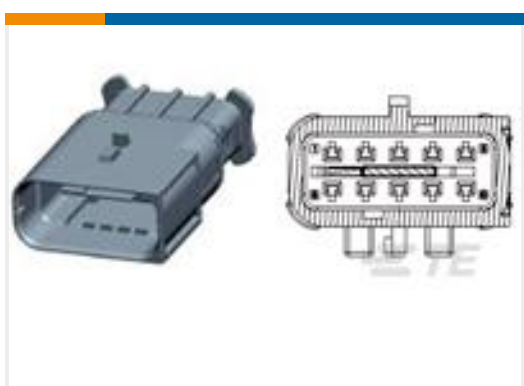
TE Part #1801175-1  
2W RECEPTACLE HP CONNECTOR BLACK



TE Part #1801600-2  
RECEPTACLE HOUSING, MCON, 10 W, SEALED



TE Part #1801606-1  
TAB HOUSING, MCON, 10 W, SEALED



TE Part #1801606-2  
TAB HOUSING, MCON, 10 W, SEALED

## Documents



### Product Drawings

#### MQS BLINDSTOPFEN

English

---

### CAD Files

#### 3D PDF

3D

#### Customer View Model

[ENG\\_CVM\\_CVM\\_963143-1\\_E.2d\\_dxf.zip](#)

English

#### Customer View Model

[ENG\\_CVM\\_CVM\\_963143-1\\_E.3d\\_igs.zip](#)

English

#### Customer View Model

[ENG\\_CVM\\_CVM\\_963143-1\\_E.3d\\_stp.zip](#)

English

By downloading the CAD file I accept and agree to the [Terms and Conditions](#) of use.

---

### Datasheets & Catalog Pages

#### MCON Interconnection System

English

---

### Product Specifications

#### Application Specification

English

#### Application Specification

English