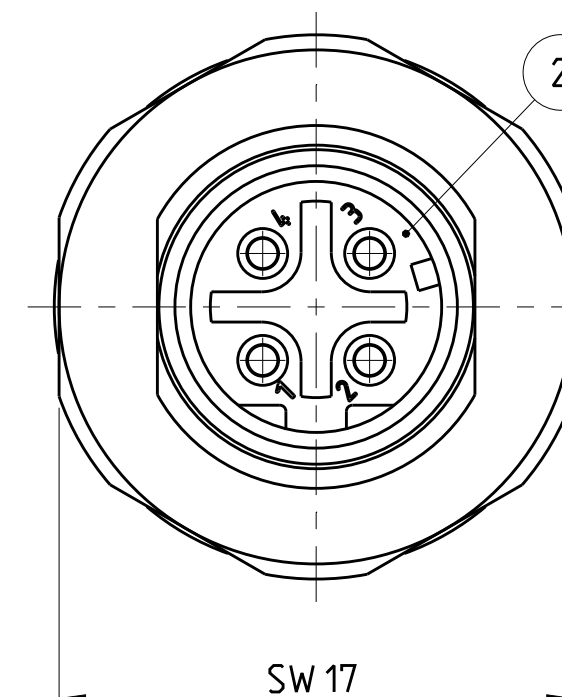
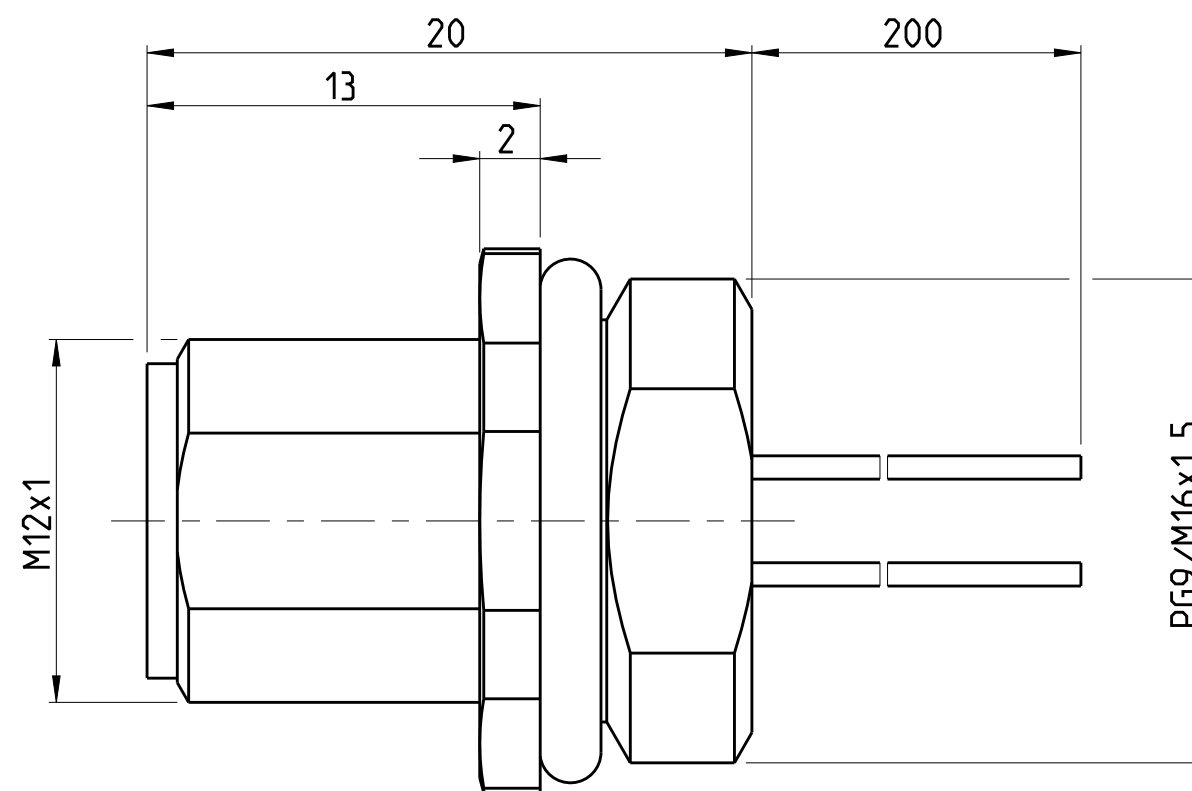
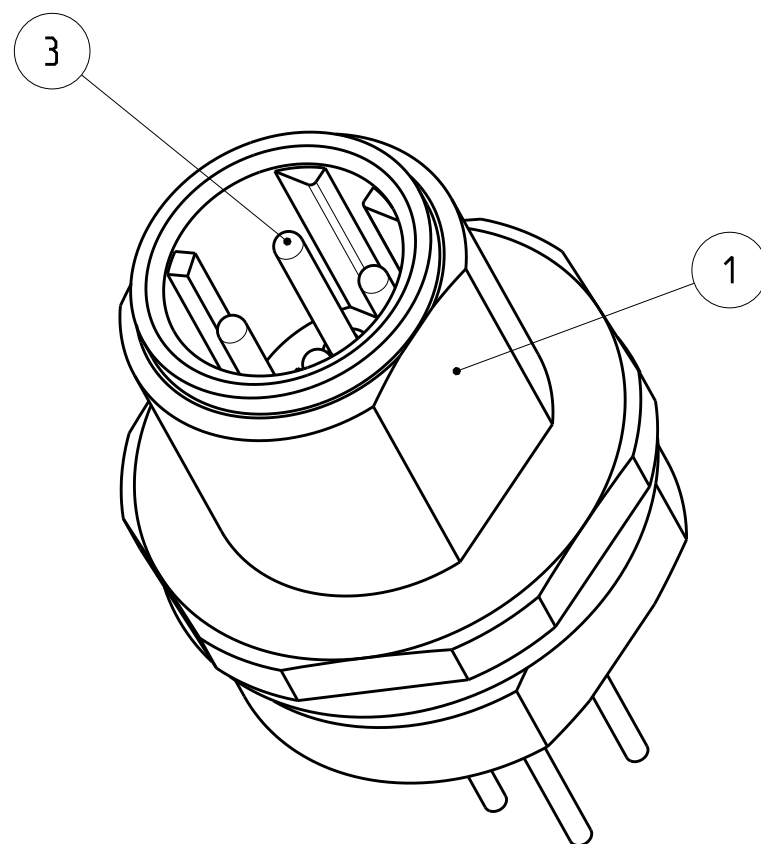


REVISIONS ÄNDERUNGEN		DATE	DWN	APVD
P	LTR	DESCRIPTION BESCHREIBUNG		
A1		DRAWING PUBLISHED	22MAY2014	YR CS
A2		WIRE DETAILS ADDED	12DEC2014	TJ PS

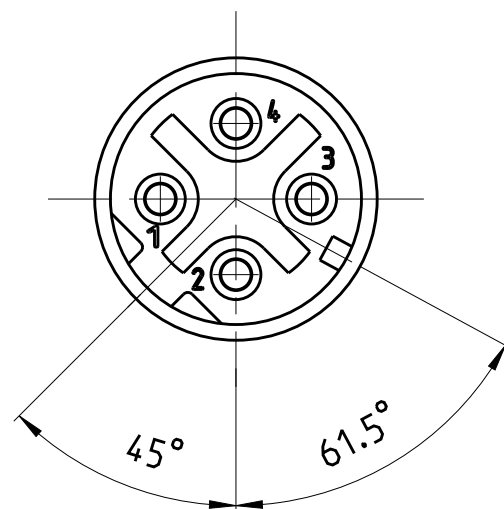
NOTES:

- 1 MATERIAL: ITEM NO. 1: HOUSING - BRASS NICKEL PLATED
ITEM NO. 2: CONTACT BODY - PA
ITEM NO. 3: CONTACT - CuSn
CONTACT FINISH - Au
- 2 ALL DIMENSIONS ARE FOR NOMINAL REFERENCE ONLY UNLESS OTHERWISE STATED
- 3 PACKAGING: 1 PIECE IN A BAG



PIN ARRANGEMENT
D-CODING

3-2271136-2



TECHNICAL DATA	3-2271136-2
RATED VOLTAGE	250V
RATED IMPULSE VOLTAGE	2500V
POLLUTION DEGREE	3
OVERVOLTAGE CATEGORY	II
MATERIAL GROUP	II
RATED CURRENT	4A
VOLUME RESISTIVITY	≤ 3mΩ
DEGREE OF PROTECTION	IP68
UPPER TEMPERATURE	+85 °C
LOWER TEMPERATURE	-40 °C

24 / 0.25mm2	⚠	4	3-2271136-2
WIRES AWG/mm2	MATERIAL	NUMBER OF POLES	TE-PART-NO.

DIESE ZEICHNUNG IST EIN KONTROLLIERTES DOKUMENT. BEMASSUNGEN UND TOLERANZEN GEMAESS GPS (ISO STANDARDS).		DWN YASHKUMAR 22MAY2014		TE Connectivity
THIS DRAWING IS A CONTROLLED DOCUMENT. DIMENSIONING AND TOLERANCING PER GPS (ISO STANDARDS).		CHK M.STRELOW 22MAY2014		
DIMENSIONS: MASSEINHEITEN: (mm)		APVD C.SCHREITLINGER 22MAY2014		
TOLERANCES UNLESS OTHERWISE SPECIFIED: ALLGEMEINTOLERANZEN		NAME M12 RECEPTACLE, MALE PANEL FRONT MOUNT WITH WIRES, D-CODING		
0 PLC ± 1 PLC ± 2 PLC ± 3 PLC ± 4 PLC ± ANGLES/WINKEL ± FINISH/OBERFLÄCHE/FARBE	0 PLC ± 1 PLC ± 2 PLC ± 3 PLC ± 4 PLC ± ANGLES/WINKEL ± FINISH/OBERFLÄCHE/FARBE	PRODUCT SPEC 108-19483 APPLICATION SPEC 114-32127	WEIGHT - Customer Drawing	SIZE A2 CAGE CODE 00779 DRAWING NO. C-2271136 RESTRICTED TO NUR FÜR - SCALE MASSSTAB 4:1 SHEET BLATT 1 OF 1 REV A2