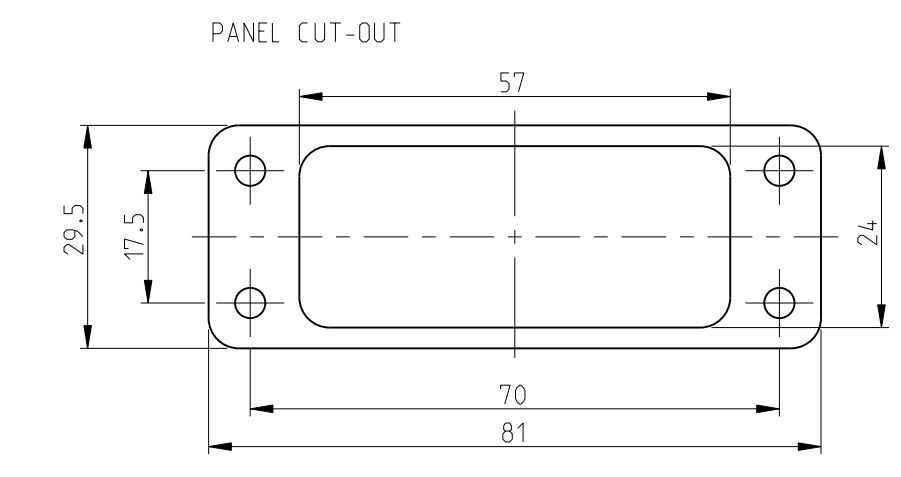
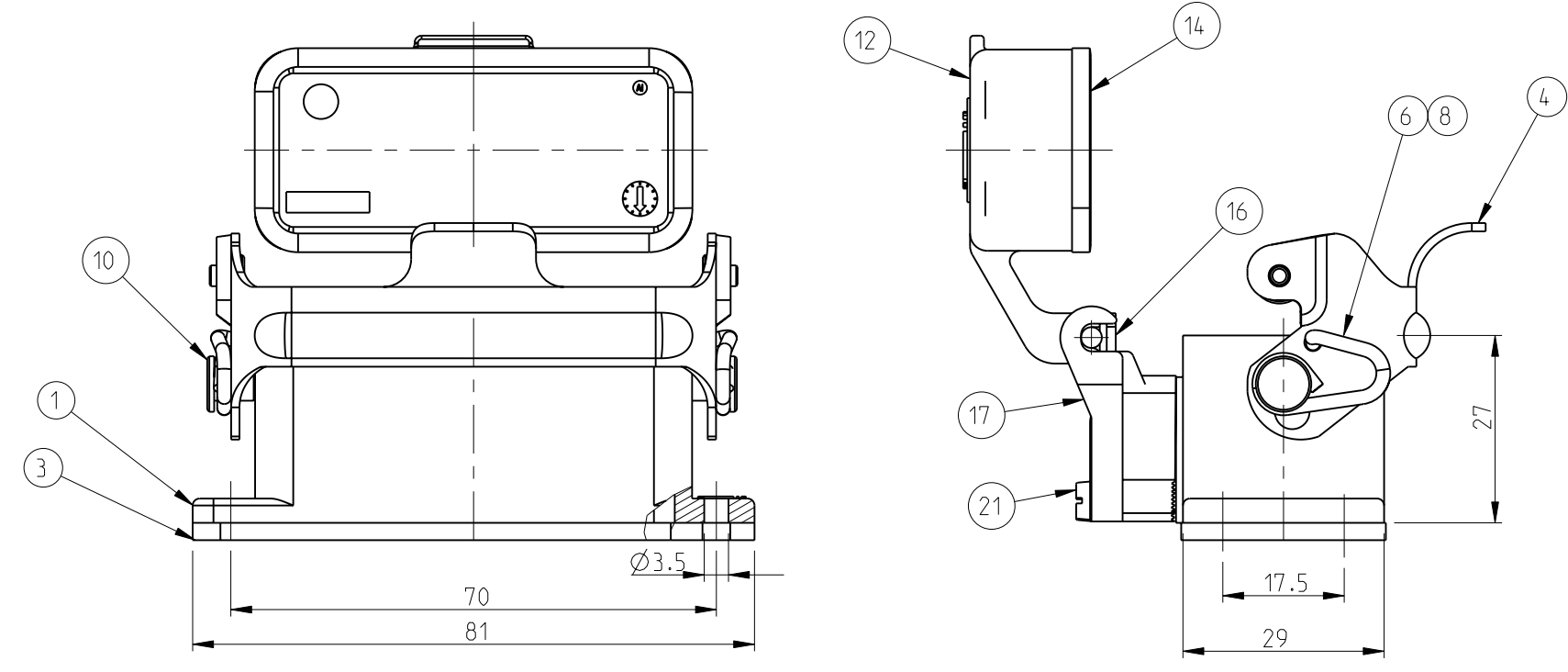


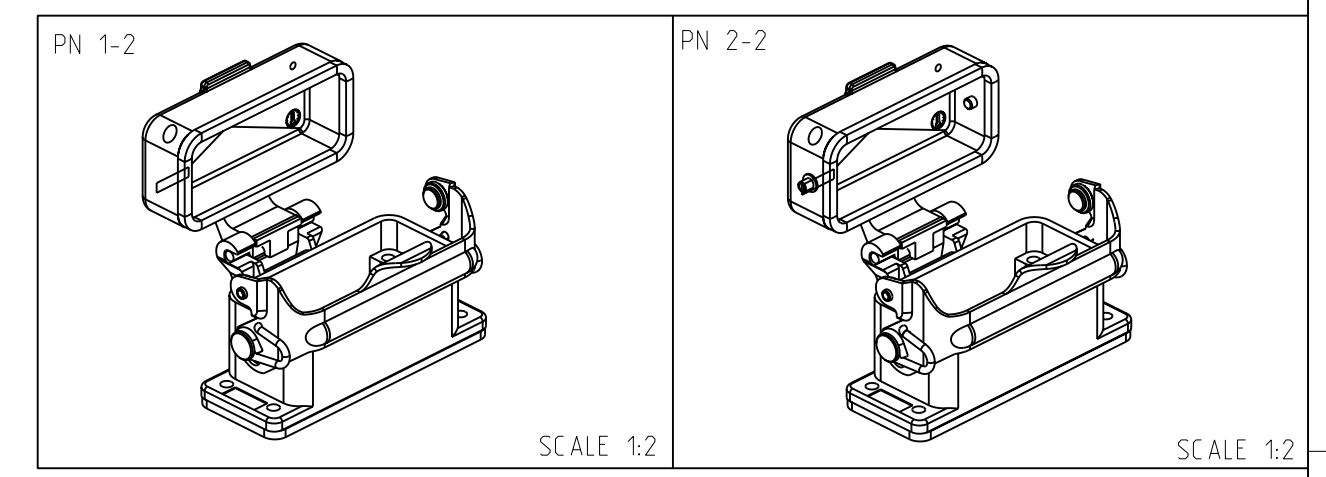
THIS DRAWING IS UNPUBLISHED. RELEASED FOR PUBLICATION 1997
 © COPYRIGHT 1997 BY TYCO ELECTRONICS CORPORATION. ALL RIGHTS RESERVED.

LOC	DIST	REVISIONS			
P	LTR	DESCRIPTION	DATE	DWN	APVD
A1	-	A5	RELEASED AS PER ECR-09-005170	05.MAR.2009	GG TS

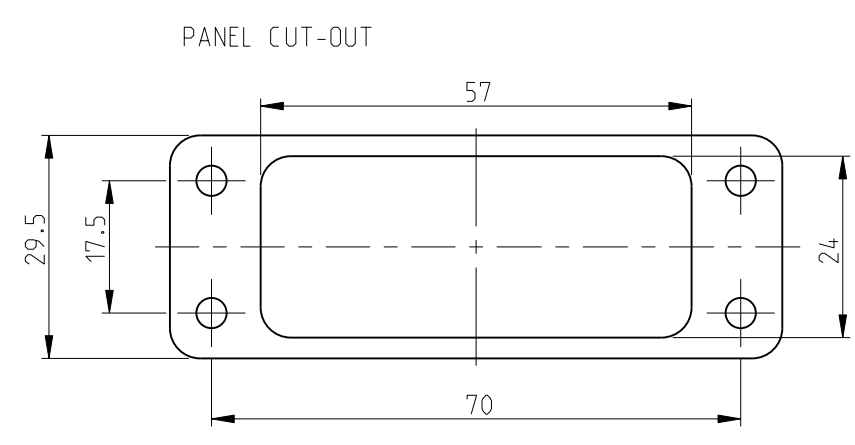
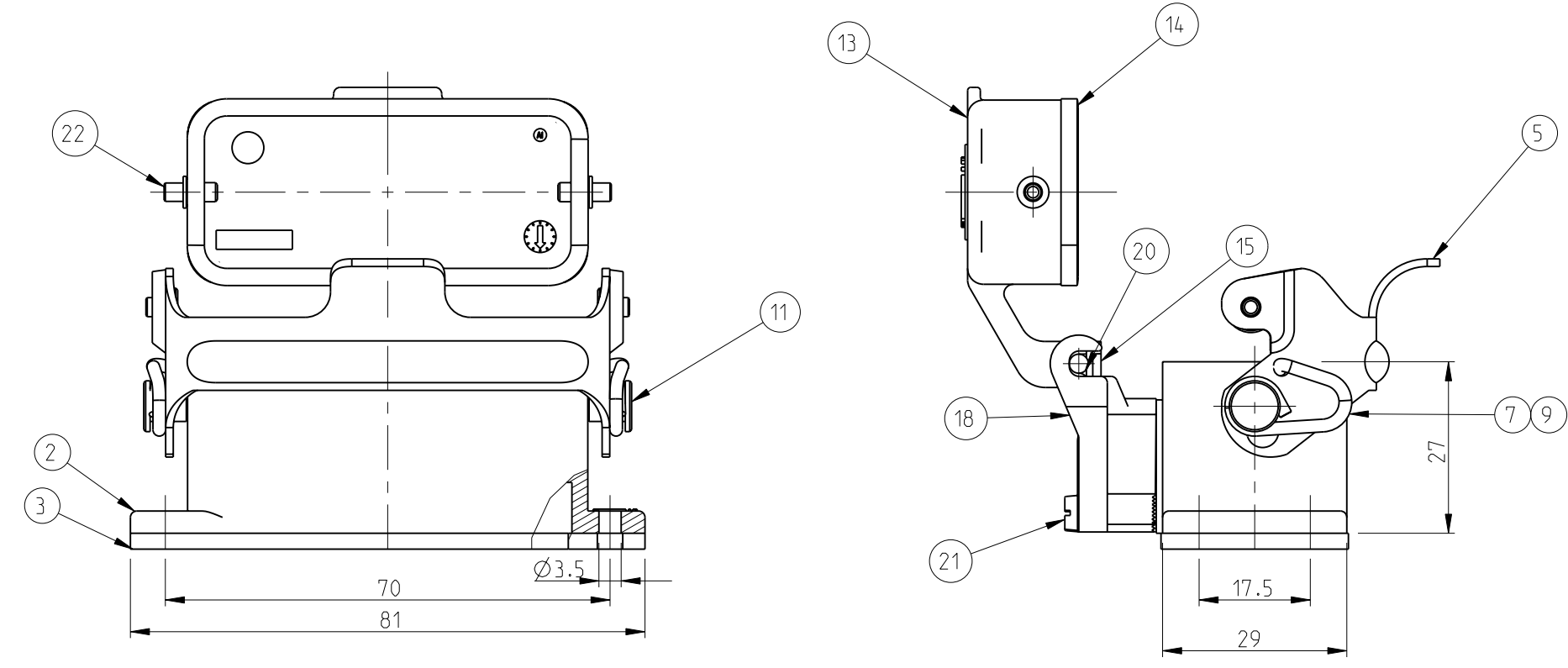
PN 1-2



- NOTES
- 1 MATERIAL:HOUSING:ALUMINIUM DIECASTING ALLOY
SEALS:NEOPRENE
 - 2 SURFACE:VARNISH-ALUMINIUM OXIDE+
VARNISH BLACK
-GREY
 - 3 PACKAGING QUANTITY:5 PIECES PER BOX
 - 4 VARNISH ON THE INSIDE NOT NECESSARILY



PN 2-2



QTY	DESCRIPTION	MATERIAL	SURFACE	COLOR	ITEM NO	REMARKS
2	- CLIP BOLT	STAINLES STEEL	BLANK	-	22	-
2	2 CYLINDER SCREW	STAINLES STEEL	BLANK	-	21	M3x16
1	- GROOVED PINS	STAINLES STEEL	BLANK	-	20	-
-	1 GROOVED PINS	STEEL	ZINC PLATED	BLUE	19	-
1	- HINGE	ALUMINIUM	ALUMINIUM OXIDE	BLACK	18	-
-	1 HINGE	ALUMINIUM	-	GREY	17	-
1	- LEAF SPRING	STAINLES STEEL	BLANK	-	16	-
-	1 LEAF SPRING	STEEL	ZINC PLATED	BLUE	15	-
1	1 PROFILE SEAL	NEOPRENE	-	BLACK	14	-
1	- COVER	ALUMINIUM	ALUMINIUM OXIDE	BLACK	13	-
-	1 COVER	ALUMINIUM	-	GREY	12	-
2	- CENTRAL CLIP POSITIONER	STAINLES STEEL	BLANK	-	11	-
-	2 CENTRAL CLIP POSITIONER	STEEL	ZINC PLATED	BLUE	10	-
1	- CLIP SPRING LEFT	STAINLES STEEL	BLANK	-	9	-
-	1 CLIP SPRING LEFT	STEEL	ZINC PLATED	BLUE	8	-
1	- CLIP SPRING RIGHT	STAINLES STEEL	BLANK	-	7	-
-	1 CLIP SPRING RIGHT	STEEL	ZINC PLATED	BLUE	6	-
1	- CLIP	STAINLES STEEL	BLANK	-	5	-
-	1 CLIP	STEEL	ZINC PLATED	BLUE	4	-
1	1 FLANGE SEAL	RUBBER	-	BLACK	3	-
1	- SURFACE MOUNTED HOUSING BOTTOM ENTRY	ALUMINIUM	ALUMINIUM OXIDE	BLACK	2	-
-	1 SURFACE MOUNTED HOUSING BOTTOM ENTRY	ALUMINIUM	-	GREY	1	-
2-2	1-2 DESCRIPTION	MATERIAL	SURFACE	COLOR	ITEM NO	REMARKS
HA.10.AGD-LB		PACKAGING				
HA-K.10.AGD-LB		PACKAGING				

THIS DRAWING IS A CONTROLLED DOCUMENT FOR TYCO ELECTRONICS CORPORATION IT IS SUBJECT TO CHANGE AND THE CONTROLLING ENGINEERING ORGANIZATION SHOULD BE CONTACTED FOR THE LATEST REVISION.

DWN SCHNEIDER 08.03.1999
 CHK SCHWEIGER 08.03.1999
 APVD SCHWEIGER

TOLERANCES UNLESS OTHERWISE SPECIFIED:
 0 PLC ±
 1 PLC ±
 2 PLC ±
 3 PLC ±
 4 PLC ±
 ANGLES ±

PRODUCT SPEC 108-74009
 APPLICATION SPEC 114-74004
 WEIGHT -

NAME SURFACE MOUNTED HOUSING HA.10.AGD
 Tyco Electronics, AMP.GmbH
 53757 Sankt Augustin, Germany

SIZE A2 CAGE CODE 00779 DRAWING NO G-1102122 RESTRICTED TO -
 CUSTOMER DRAWING SCALE 1:1 SHEET 1 OF 1 REV A5