

Data sheet

Keystone IP44SG surface mounted housing unequipped

Page 1/5

P/N

1309460003KI

EAN 4250184167037

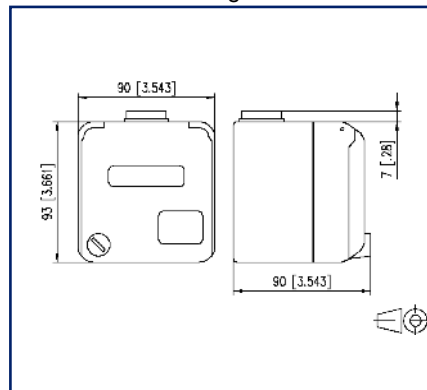
2023/08/08

Version: Q

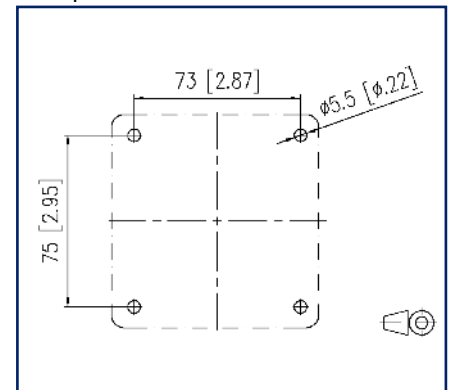
Illustrations



Dimensional drawing



Drill pattern



See enlarged drawings at the end of document

Product specification

- lockable surface-mounted IP44 outlet, keyed alike with two keys (identical locks and keys)
- cover closes completely, even when patch cables are plugged in
- for two individual modules in Keystone design, ball-impact resistant according to DIN 18032
- can be operated with standard patch cables
- clearly visible label window
- bottom section of housing can be turned 180°, with cable feed possible from top and bottom
- with space to install the required spare cable lengths
- color: gray

Keystone IP44SG surface mounted housing unequipped

P/N

1309460003KI

EAN 4250184167037

2023/08/08

Version: Q

Technical Data

General Data

Fields of application	office areas
Mechanical measurement according to MICE	M1
Ingress measurement according to MICE	I1
Climatic measurement according to MICE	C1
Electromagnetic measurement according to MICE	E3
Design	wall outlet
Mounting style	AP
Color	gray
Dimensions	
Dimension (L x W x H)	90 mm x 90 mm x 93 mm
Dimension (L x W x H)	3.543 in. x 3.543 in. x 3.661 in.
Modularity	yes
Labeling option	label window with identification label

Connections/interfaces

Number of ports interface 2	2
Number of ports interface 2 equipped	0
Cable access/outlet	from top or bottom

Mechanical data

Cut-out	Keystone
---------	----------

Materials and material properties

Halogen free	yes
RoHS	compliant

Environmental conditions

Particulate ingress	IP4X when closed
Liquid ingress/immersion	IPX4 when closed



Keystone IP44SG surface mounted housing unequipped

P/N

1309460003KI

EAN 4250184167037

2023/08/08

Version: Q

Technical Data**Classifications**

ETIM 5.0	EC001264
ETIM 6.0	EC001264
ETIM 7.0	EC001264
ETIM 8.0	EC001264
ETIM 9.0	EC001264

Packing details

Type of packaging	5 pc(s) / box
Packaging unit - Weight (gram)	1326 g
Packaging unit - Weight (pound)	2.92 lb
Packaging dimension	310 mm x 262 mm x 122 mm
Packaging dimension	12.205 in. x 10.315 in. x 4.803 in.



Keystone IP44SG surface mounted housing unequipped

P/N

1309460003KI

EAN 4250184167037

2023/08/08

Version: Q

Accessories

P/N	Designation
130910KI	E-DAT modul Cat.6 _A K jack - Keystone style
130910KZ	E-DAT modul Cat.6 _A K jack - Keystone style (12 pcs)
130944V203-E	Cable gland M25 2x8
130B21-25-E	25Gmodul - Keystone
130B21-25-Z	25Gmodul - Keystone style (12 pcs)
130B21-E	C6 _A modul K 180° jack - keystone style
130B21-Z	C6 _A modul K 180° jack - Keystone style (12 pcs)
130B22-25-E	25Gmodul - Keystone 270° Jack
130B22-E	C6 _A modul K 270° jack - keystone style



P | Cabling

Data sheet

Page 5/5

Keystone IP44SG surface mounted housing unequipped

P/N

1309460003KI

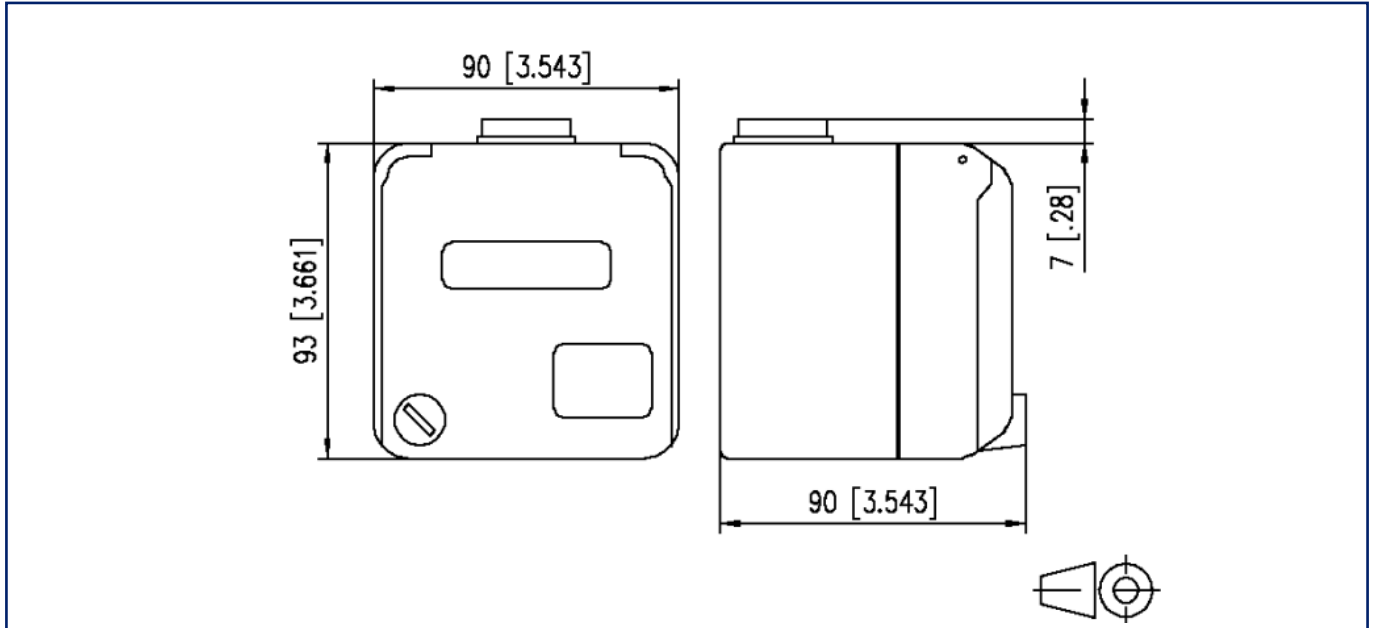
EAN 4250184167037

2023/08/08

Version: Q

Illustrations

Dimensional drawing



Drill pattern

