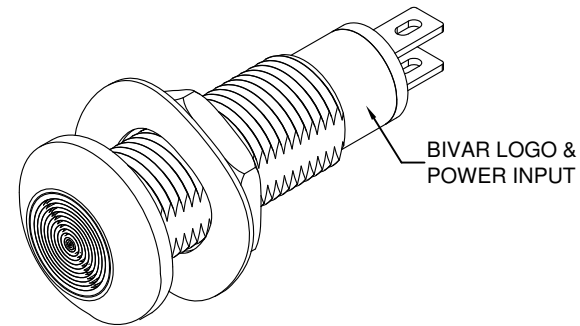
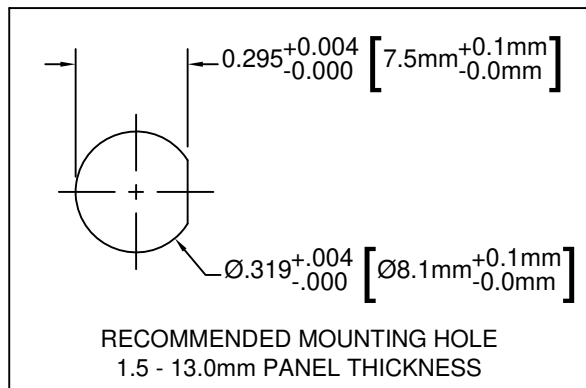
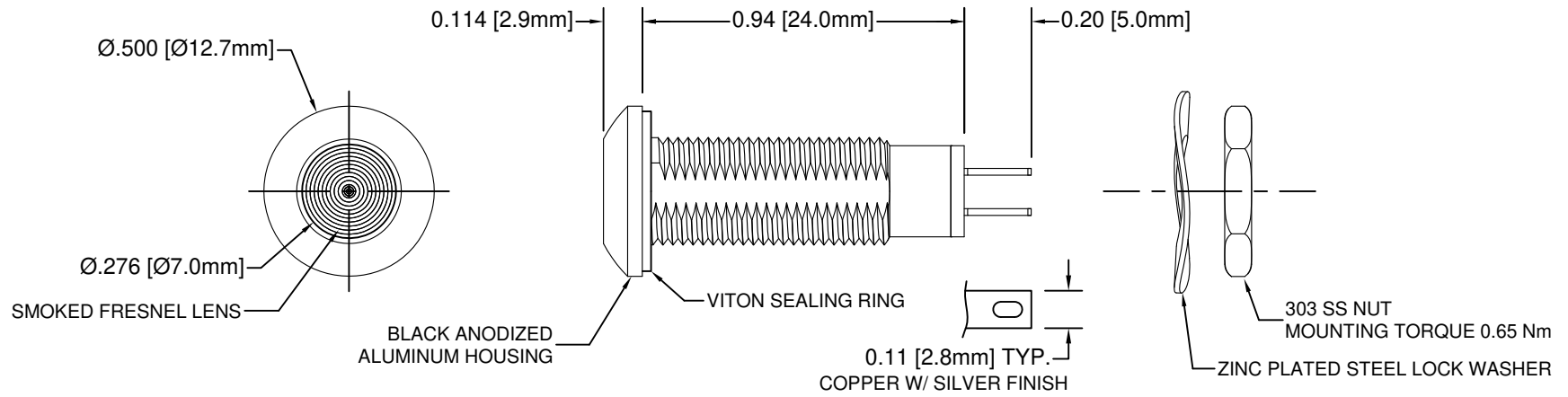


REV.	DESCRIPTION	DATE	APPROVED
B	Engineering Release	07/28/11	T. Y.
C	Engineering Update w/o Changes	08/11/16	J. C.



**NOTES:**

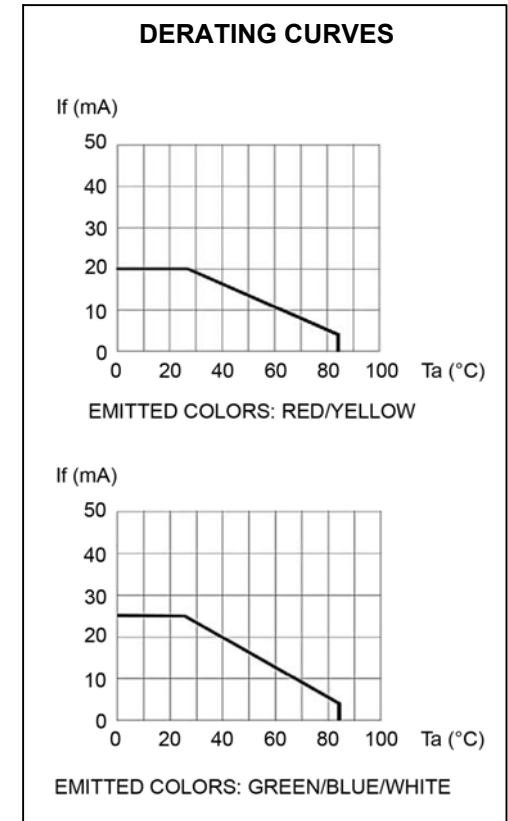
1. SEALED TO IP67 RATING
2. WIDE RANGE VOLTAGE INPUT
3. BI-POLAR OPERATION
4. ROHS COMPLIANT
5. MOUNTING HARDWARE SHIPPED NON-ASSEMBLED
6. INSERT VITON RING ON PANEL MOUNT ASSEMBLY PRIOR TO PANEL INSTALLATION

STANDARD TOLERANCE (UNLESS OTHERWISE SPECIFIED)		BIVAR®	
DECIMALS	ANGULAR	4 THOMAS, IRVINE, CA. 92618	
.X ± .1	X° ± 1°	TEL: (949) 951-8808 FAX: (949) 951-3974	
.XX ± .02		<b>TITLE:</b> WATER TIGHT PANEL MOUNT LED ASSEMBLY, 8.1MM MOUNTING	
.XXX ± .010		<b>PART NO:</b> PM5-A7XXX	
DESIGNED: <b>R. Paje</b>	DATE: <b>02/23/11</b>	REVISION: <b>C</b>	
CHECKED: <b>T. Yin</b>	DATE: <b>02/23/11</b>	<b>CAGE CODE :</b> 32559 <b>SHEET #</b> 1 OF 2	
CAD GENERATED DOCUMENT. DO NOT MEASURE DRAWING.			

REV.	DESCRIPTION	DATE	APPROVED
	SEE SHEET #1		

Part Number	Peak Wave Length $\lambda_p$ (nm)	Emitted Color	Lens Appearance	Electro-Optical Data @ 20mA		Viewing Angle
				Vf (VDC/VAC)	Iv (mcd)	
				TYP	TYP	
PM5-A7R28V	630	RED	SMOKED	12-28 VAC/VDC	600	120
PM5-A7Y28V	585	YELLOW	SMOKED	12-28 VAC/VDC	600	120
PM5-A7G28V	515	GREEN	SMOKED	12-28 VAC/VDC	800	120
PM5-A7B28V	465	BLUE	SMOKED	12-28 VAC/VDC	400	120
PM5-A7R110AC	630	RED	SMOKED	110 VAC	600	120
PM5-A7Y110AC	585	YELLOW	SMOKED	110 VAC	600	120
PM5-A7G110AC	515	GREEN	SMOKED	110 VAC	800	120
PM5-A7B110AC	465	BLUE	SMOKED	110 VAC	400	120

Part Number	Chromaticity Coordinates	Emitted Color	Lens Appearance	Electro-Optical Data @ 20mA		Viewing Angle
				Vf (VDC/VAC)	Iv (mcd)	
				TYP	TYP	
PM5-A7W28V	X=0.31. Y=0.32	WHITE	SMOKED	12-28 VAC/VDC	1200	120
PM5-A7W110AC	X=0.31. Y=0.32	WHITE	SMOKED	110VAC	1200	120



## ABSOLUTE MAXIMUM RATINGS (Ta = 25°C)

MAXIMUM POWER DISSIPATION \_\_\_\_\_ 825 mW  
 OPERATING TEMPERATURE RANGE \_\_\_\_\_ -40°C ~ 95°C  
 STORAGE TEMPERATURE \_\_\_\_\_ -40°C ~ 100°C

STANDARD TOLERANCE ( UNLESS OTHERWISE SPECIFIED ) DECIMALS      ANGULAR		<b>BIVAR</b> <sup>®</sup> 4 THOMAS, IRVINE, CA. 92618 TEL: (949) 951-8808    FAX: (949) 951-3974	
DESIGNED: <b>R. Paje</b>		DATE: <b>02/23/11</b>	
CHECKED: <b>T. Yin</b>		DATE: <b>02/23/11</b>	
PART NO: <b>PM5-A7XXX</b>		REVISION: <b>C</b>	
CAGE CODE : <b>32559</b>		SHEET # <b>2 OF 2</b>	
CAD GENERATED DOCUMENT. DO NOT MEASURE DRAWING.			