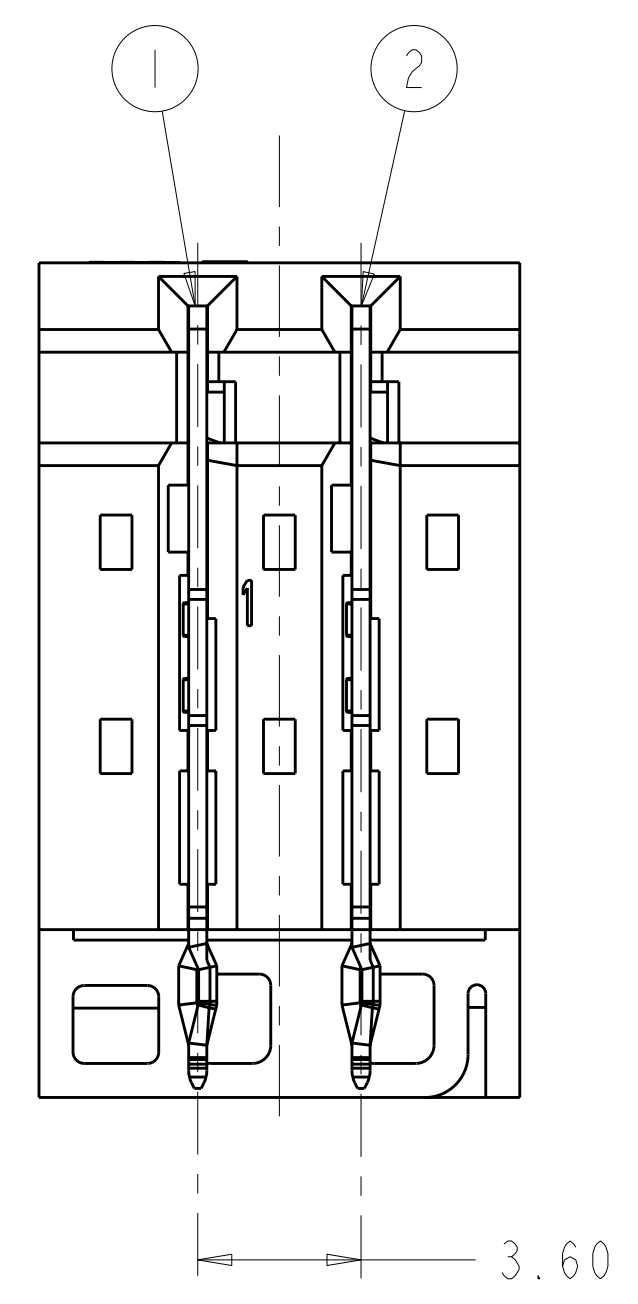
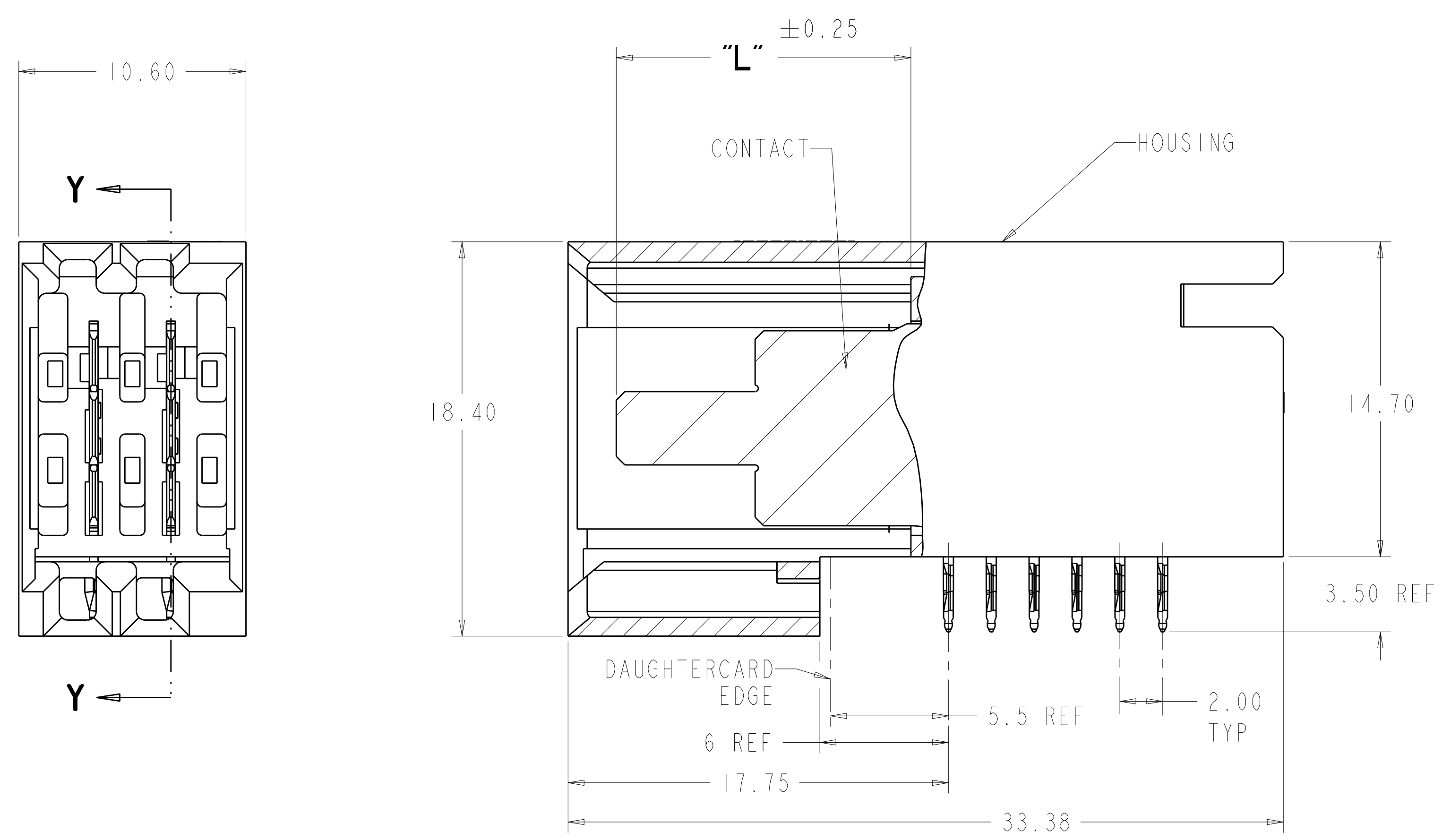
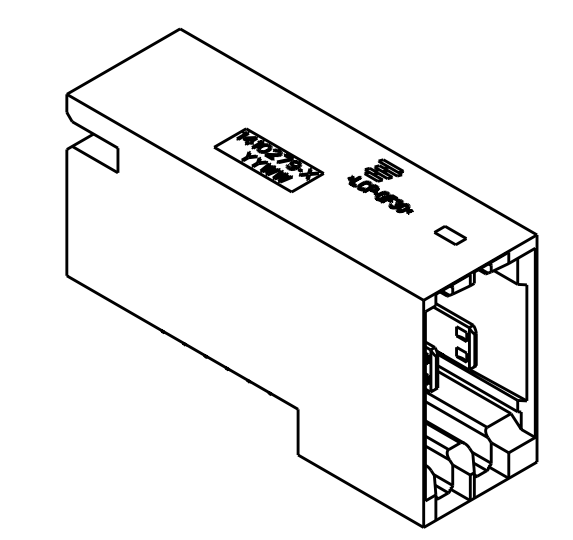


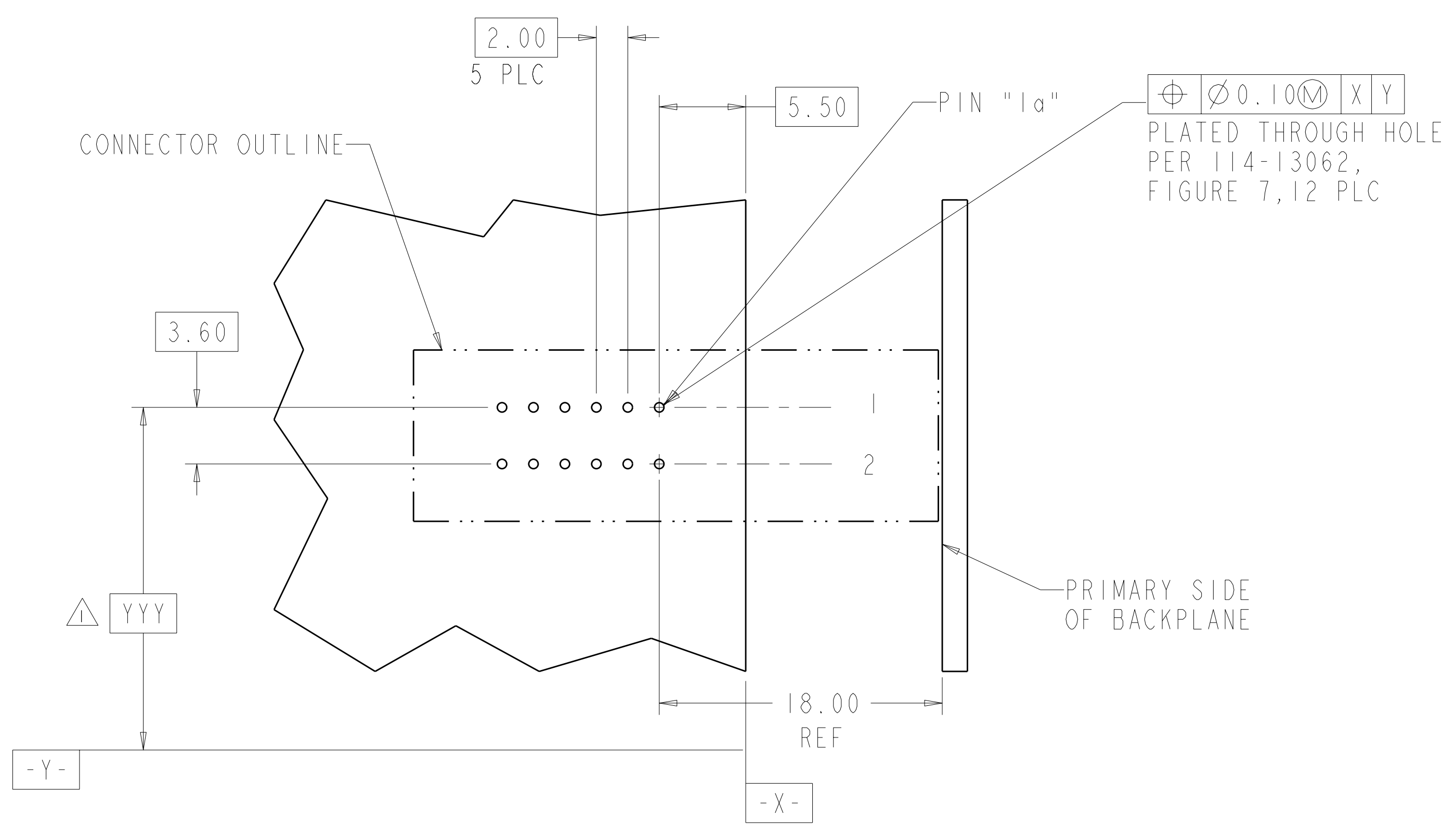
| LOC | DIST | REV | DATE      | BY | APPD |
|-----|------|-----|-----------|----|------|
| AD  | 00   |     |           |    |      |
|     |      | A3  | 24APR2012 | KH | AS   |



- △ DIMENSIONS PER CUSTOMER BOARD LAYOUT
- △ FINISH: 1.27μM MIN GOLD IN CONTACT AREA, 1.27μM MIN TIN-LEAD ON PCB TAIL, OVER 1.27μM MIN NICKEL OVER ALL.
- △ HOUSING: LCP, UL94V-0, BLACK CONTACT: PHOSPHOR BRONZE
- △ FINISH: 1.27 μm MIN GOLD IN CONTACT AREA, 1.27 μm MIN TIN ON PCB TAIL, OVER 1.27 μm MIN NICKEL OVER ALL.
- △ OBSOLETE PARTS: OBSOLETE CIS STREAMLINING PER D.RENAUD/D.SINISI



SCALE 2:1



RECOMMENDED PCB HOLE LAYOUT DAUGHTER CARD PRIMARY SIDE SCALE 4:1

- △ SUPERSEDED BY 1-1410279-2
- △ SUPERSEDED BY 1-1410279-0
- △ SUPERSEDED BY 1410279-9

| FINISH | CIRCUIT ID #2 "L" | CIRCUIT ID #1 "L" | PART NUMBER |
|--------|-------------------|-------------------|-------------|
| △      | 12.25             | 12.25             | 1-1410279-2 |
|        | 10.75             | 12.25             | 1-1410279-1 |
|        | 10.75             | 10.75             | 1-1410279-0 |
|        | 10.75             | 13.75             | 1410279-9   |
|        | 12.25             | 13.75             | 1410279-8   |
|        | 13.75             | 13.75             | 1410279-7   |
| △      | 12.25             | 12.25             | +410279-6   |
|        | 10.75             | 12.25             | 1410279-5   |
|        | 10.75             | 10.75             | +410279-4   |
|        | 10.75             | 13.75             | +410279-3   |
|        | 12.25             | 13.75             | 1410279-2   |
|        | 13.75             | 13.75             | 1410279-1   |

THIS DRAWING IS A CONTROLLED DOCUMENT.

|                |  |                         |                         |                           |  |
|----------------|--|-------------------------|-------------------------|---------------------------|--|
| DIMENSIONS: mm | TOLERANCES UNLESS OTHERWISE SPECIFIED: | DWN S. WELLER 02NOV2000 | CHK S. WELLER 02NOV2000 | APVD D. HELSTER 02NOV2000 | NAME   |
| 9 PLC ±0.3     | 2 PLC ±0.25                            | D. HELSTER 02NOV2000    |                         |                           | ASSEMBLY, POWER, RIGHT ANGLE HEADER, 2 CAVITY, 20.3mm MULTIGIG |
| 5 PLC ±0.25    | 4 PLC ±0.25                            | 108-2062                |                         |                           | SIZE CAGE CODE DRAWING NO RESTRICTED TO                        |
| ANGLES ±1°     | FINISH                                 | 114-13062               |                         |                           | A1 00779 C=1410279   |
| MATERIAL       | FINISH                                 | 114-13062               |                         |                           | SCALE 6:1 SHEET 1 OF 1 REV A3                                  |
|                |  | CUSTOMER DRAWING        |                         |                           |  |