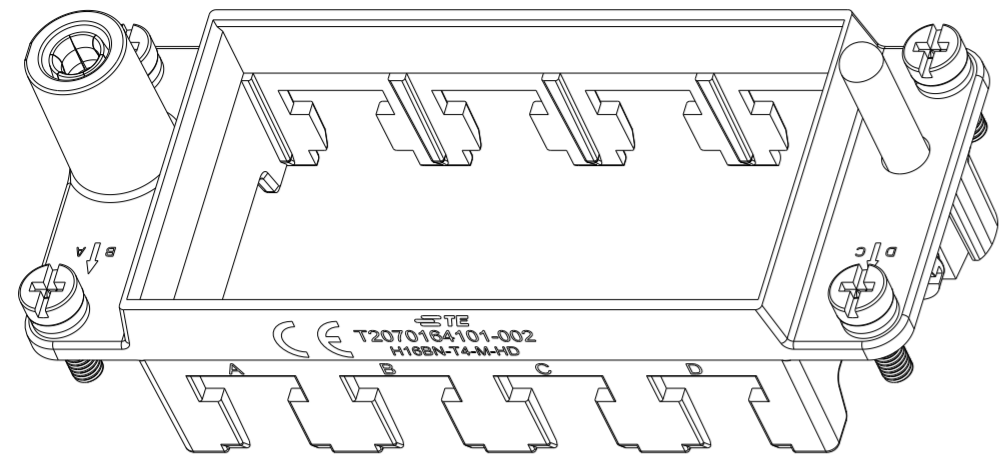
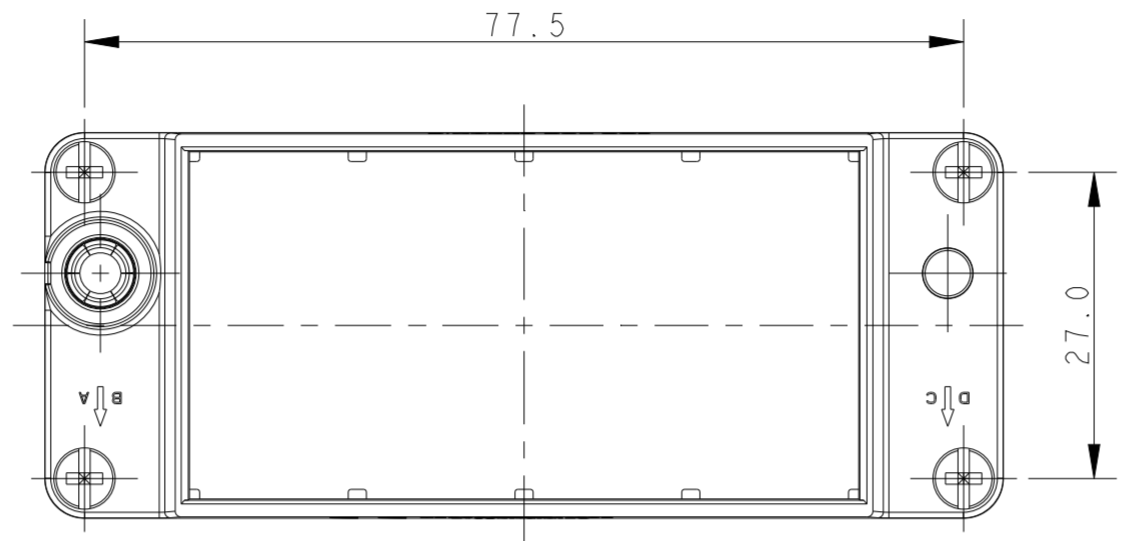


THIS DRAWING IS UNPUBLISHED. RELEASED FOR PUBLICATION 20
 © COPYRIGHT 20 BY - ALL RIGHTS RESERVED.

REVISIONS					
P	LTR	DESCRIPTION	DATE	DWN	APVD
A		INITIAL	09AUG2017	RL	CW
B		ECR-18-005861	03AUG2018	YC	CW
C		ECR-21-122216	09DEC2021	WOR	CW

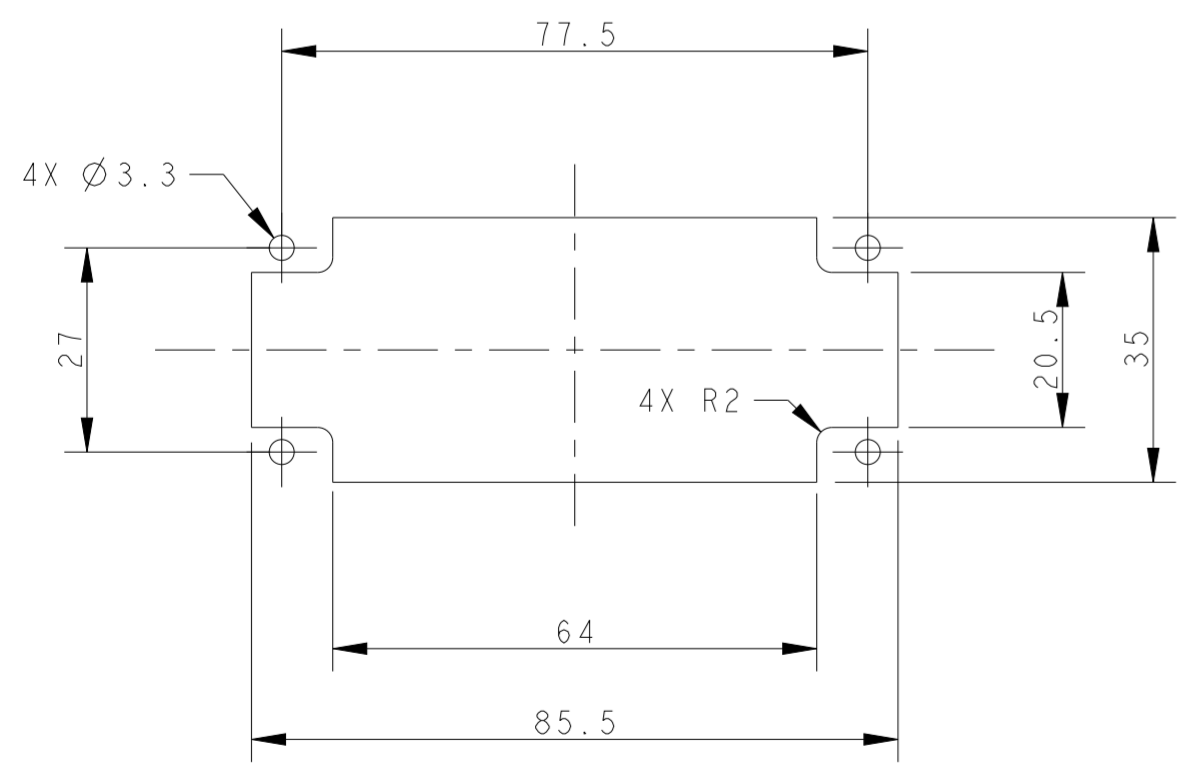
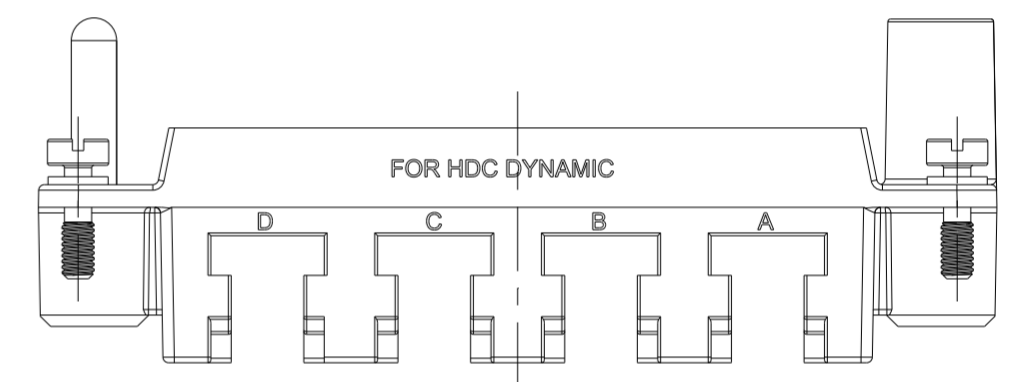
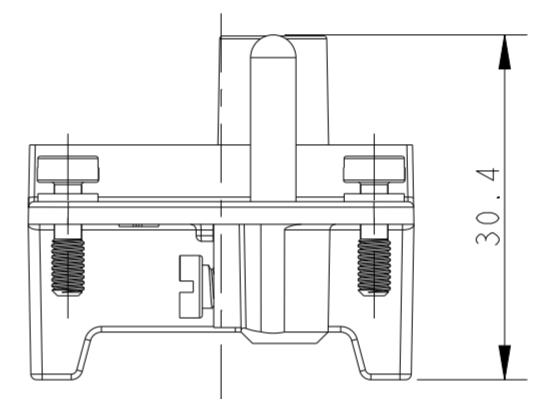
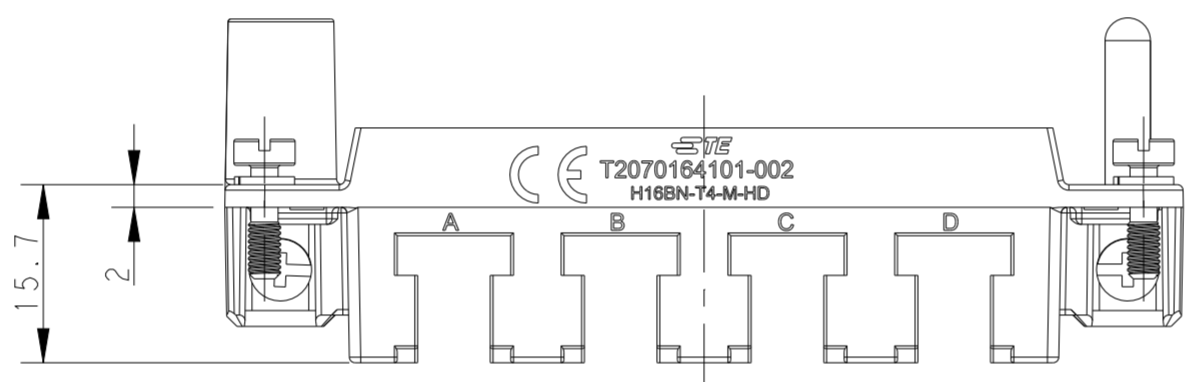


T2070164101-002 H16BN-T4-M-HD

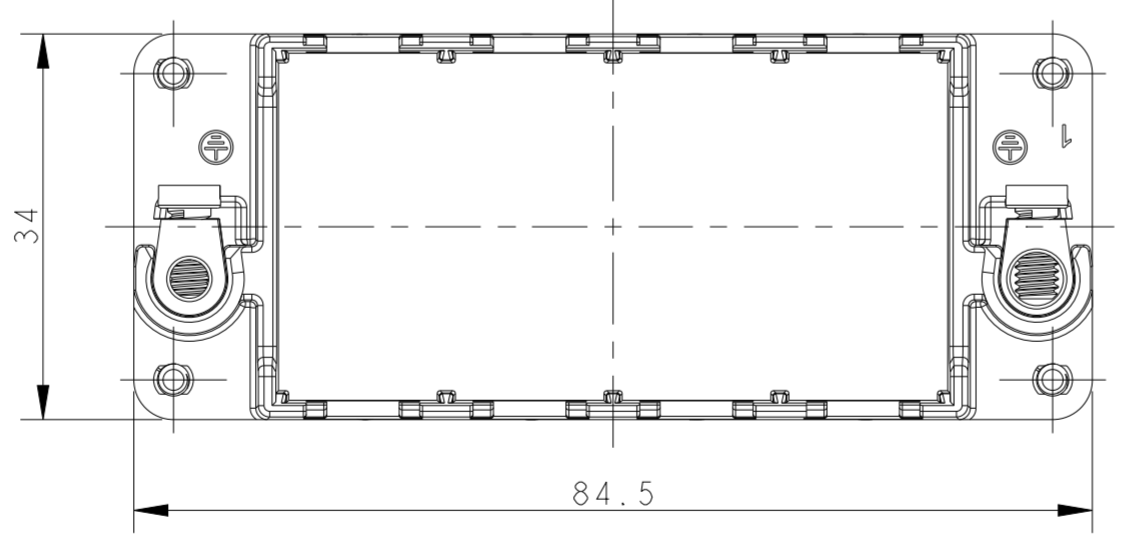


NOTES:
 1. TECHNICAL CHARACTERISTICS:
 FRAME MATERIAL: ZINC ALLOY
 NUMBER OF MODULES: 4
 FRAME SURFACE: BLACK NICKEL PLATING
 MATING CYCLES: 500

注释:
 1. 技术参数:
 框架材料: 锌合金
 模块数量: 4
 框架表面处理: 电镀黑镍
 插拔次数: 500



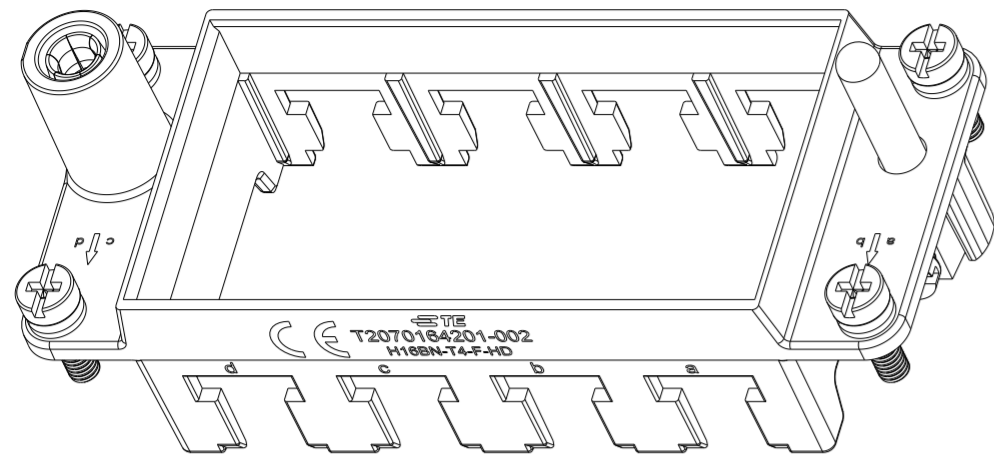
PANEL CUT FOR FRAME USE WITHOUT HOODS/ HOUSINGS



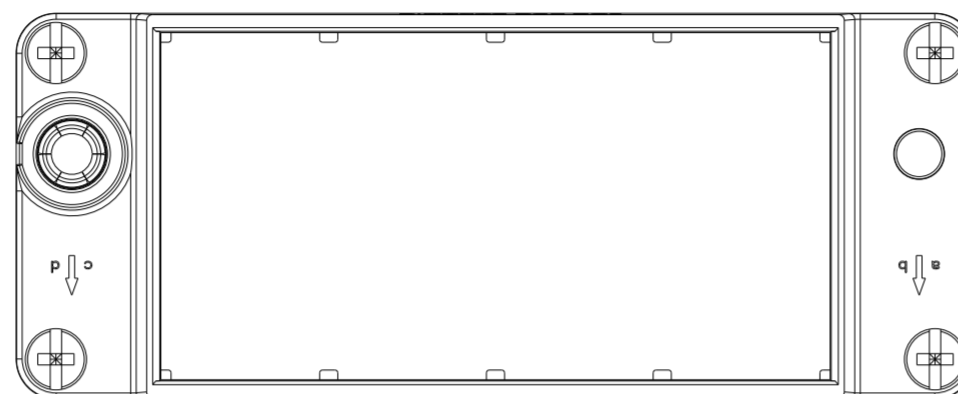
THIS DRAWING IS A CONTROLLED DOCUMENT.		DWN ROY LIU 09AUG2017	TE Connectivity		
DIMENSIONS:		CHK GINO YAO 09AUG2017			
mm	TOLERANCES UNLESS OTHERWISE SPECIFIED:	APVD CHRIS WANG 09AUG2017	NAME H16BN-T4-M/F-HD		
	0 PLC ±	PRODUCT SPEC	SIZE	CAGE CODE	DRAWING NO
	1 PLC ±	APPLICATION SPEC	A2	00779	C-T2070164X01002
	2 PLC ±		SCALE	SHEET	RESTRICTED TO
	3 PLC ±		1:1	1 OF 2	-
	4 PLC ±				
	ANGLES ±				
MATERIAL	FINISH	WEIGHT	CUSTOMER DRAWING		
-	-	-	REV C		

THIS DRAWING IS UNPUBLISHED. RELEASED FOR PUBLICATION 20
 © COPYRIGHT 20 BY - ALL RIGHTS RESERVED.

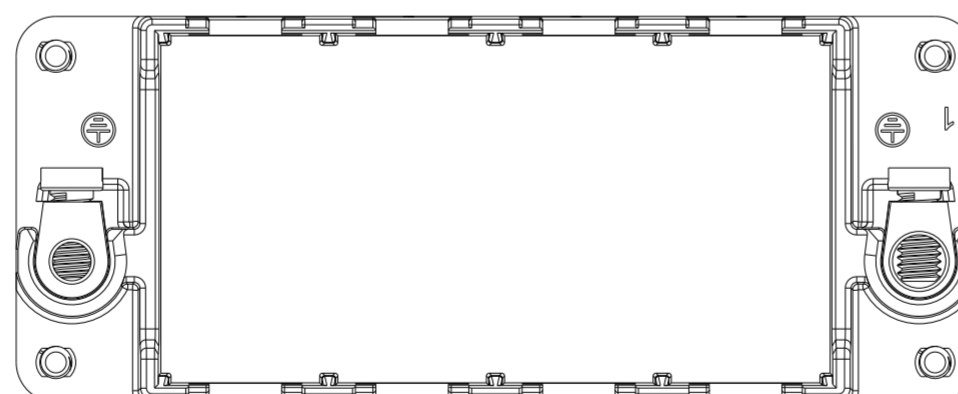
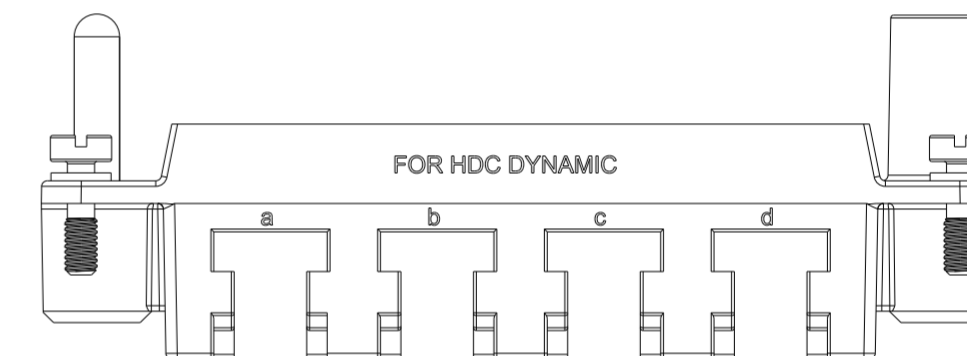
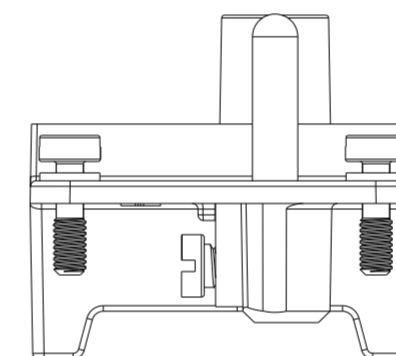
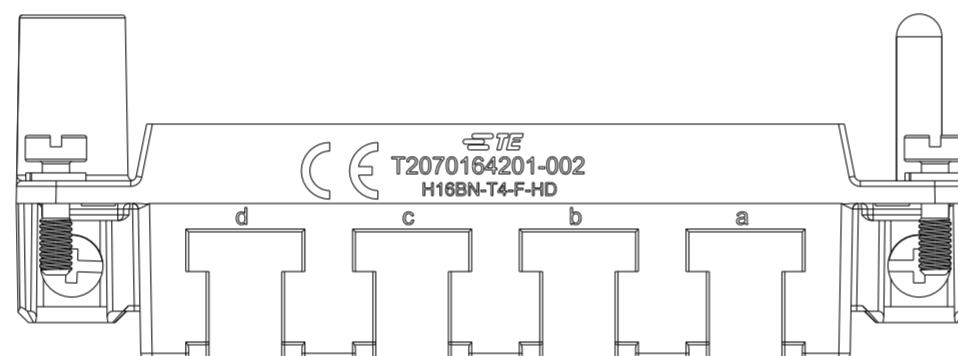
REVISIONS				
P	LTR	DESCRIPTION	DATE	APVD
-	-	SEE SHEET 1	-	-




T2070164201-002, H16BN-T4-F-HD,
 ALL DIMENSIONS THE SAME TO T2070164101-002
 T2070164201-002, H16BN-T4-F-HD,
 所有尺寸同T2070164101-002一样



NOTES:
 SEE SHEET 1.
 注释:
 见 SHEET 1.



T2070164201-002	H16BN-T4-F-HD	H16BN FEMALE MODULE FRAME, MATED WITH DYNAMIC H16BN模块母框架, 适配Dynamic
T2070164101-002	H16BN-T4-M-HD	H16BN MALE MODULE FRAME, MATED WITH DYNAMIC H16BN模块公框架, 适配Dynamic
PART NUMBER 成品料号		PART DESCRIPTION 成品描述

THIS DRAWING IS A CONTROLLED DOCUMENT.		DWN ROY LIU 09AUG2017	 TE Connectivity	
DIMENSIONS: mm		CHK GINO YAO 09AUG2017		
TOLERANCES UNLESS OTHERWISE SPECIFIED:		APVD CHRIS WANG 09AUG2017	NAME H16BN-T4-M/F-HD	
0 PLC ± 1 PLC ± 2 PLC ± 3 PLC ± 4 PLC ± ANGLES ± FINISH		PRODUCT SPEC -	SIZE A200779	
MATERIAL -		APPLICATION SPEC -	DRAWING NO C-T2070164X01002	RESTRICTED TO -
-		WEIGHT -	SCALE 3:2	SHEET 2 OF 2
-		CUSTOMER DRAWING	REV C	