

# μPG2185T6R

## Data Sheet

GaAs Integrated Circuit  
 SPDT Switch for 2 GHz to 6 GHz

R09DS0053EJ0300  
 Rev.3.00  
 Nov 22, 2012

### DESCRIPTION

The μPG2185T6R is a GaAs MMIC SPDT (Single Pole Double Throw) switch which was designed for 2 GHz to 6 GHz applications, including dual-band wireless LAN. This device can operate frequency from 2 GHz to 6 GHz, having the low insertion loss and high isolation.

This device is housed in a 6-pin plastic TSSON (Thin Shrink Small Out-line Non-leaded) (T6R) package and is suitable for high-density surface mounting.

### FEATURES

- Operating frequency : f = 2.0 to 6.0 GHz
- <R> • Switch control voltage : V<sub>cont (H)</sub> = 1.8 to 3.6 V (3.0 V TYP.)  
 : V<sub>cont (L)</sub> = -0.2 to 0.2 V (0 V TYP.)
- Low insertion loss : L<sub>ins1</sub> = 0.40 dB TYP. @ f = 2.0 to 2.5 GHz, V<sub>cont (H)</sub> = 3.0 V, V<sub>cont (L)</sub> = 0 V  
 : L<sub>ins2</sub> = 0.50 dB TYP. @ f = 2.5 to 6.0 GHz, V<sub>cont (H)</sub> = 3.0 V, V<sub>cont (L)</sub> = 0 V
- High isolation : ISL1 = 26 dB TYP. @ f = 2.0 to 2.5 GHz, V<sub>cont (H)</sub> = 3.0 V, V<sub>cont (L)</sub> = 0 V  
 : ISL2 = 25 dB TYP. @ f = 2.5 to 6.0 GHz, V<sub>cont (H)</sub> = 3.0 V, V<sub>cont (L)</sub> = 0 V
- Handling power : P<sub>in (1 dB)</sub> = +30.5 dBm TYP. @ f = 2.5 GHz, V<sub>cont (H)</sub> = 3.0 V, V<sub>cont (L)</sub> = 0 V  
 : P<sub>in (1 dB)</sub> = +30.5 dBm TYP. @ f = 6.0 GHz, V<sub>cont (H)</sub> = 3.0 V, V<sub>cont (L)</sub> = 0 V
- High-density surface mounting : 6-pin plastic TSSON (T6R) package (1.0 × 1.0 × 0.37 mm)

### APPLICATIONS

- Wireless LAN (IEEE802.11a/b/g/n)
- UWB, near field communications

### ORDERING INFORMATION

Part Number	Order Number	Package	Marking	Supplying Form
μPG2185T6R-E2	μPG2185T6R-E2-A	6-pin plastic TSSON (Pb-Free)	G8	<ul style="list-style-type: none"> <li>• Embossed tape 8 mm wide</li> <li>• Pin 1, 6 face the perforation side of the tape</li> <li>• Qty 5 kpcs/reel</li> </ul>

**Remark** To order evaluation samples, please contact your nearby sales office.

Part number for sample order: μPG2185T6R-A

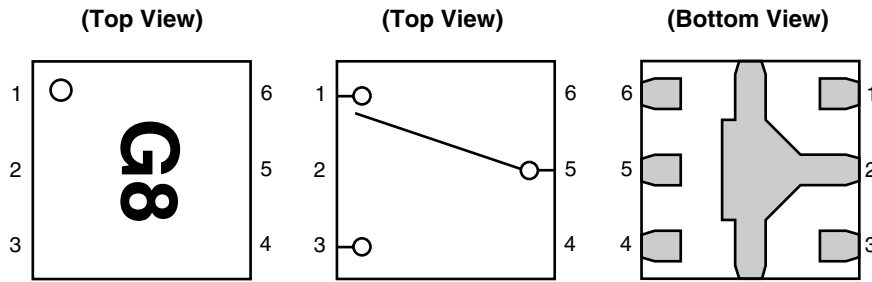
### CAUTION

Although this device is designed to be as robust as possible, ESD (Electrostatic Discharge) can damage this device. This device must be protected at all times from ESD. Static charges may easily produce potentials of several kilovolts on the human body or equipment, which can discharge without detection. Industry-standard ESD precautions must be employed at all times.

The mark <R> shows major revised points.

The revised points can be easily searched by copying an "<R>" in the PDF file and specifying it in the "Find what:" field.

## PIN CONNECTIONS AND INTERNAL BLOCK DIAGRAM



Pin No.	Pin Name
1	OUTPUT1
2	GND
3	OUTPUT2
4	$V_{cont2}$
5	INPUT
6	$V_{cont1}$

**Remark** Exposed pad : GND

### TRUTH TABLE

$V_{cont1}$	$V_{cont2}$	INPUT-OUTPUT1	INPUT-OUTPUT2
High	Low	OFF	ON
Low	High	ON	OFF

### ABSOLUTE MAXIMUM RATINGS ( $T_A = +25^\circ\text{C}$ , unless otherwise specified)

Parameter	Symbol	Ratings	Unit
Switch Control Voltage	$V_{cont}$	+6.0 <sup>Note</sup>	V
Input Power	$P_{in}$	+31	dBm
Power Dissipation	$P_D$	150	mW
Operating Ambient Temperature	$T_A$	-40 to +90	$^\circ\text{C}$
Storage Temperature	$T_{stg}$	-55 to +150	$^\circ\text{C}$

Note:  $|V_{cont1} - V_{cont2}| \leq 6.0 \text{ V}$

### RECOMMENDED OPERATING RANGE ( $T_A = +25^\circ\text{C}$ , unless otherwise specified)

Parameter	Symbol	MIN.	TYP.	MAX.	Unit
Switch Control Voltage (H)	$V_{cont(H)}$	1.8	3.0	3.6	V
Switch Control Voltage (L)	$V_{cont(L)}$	-0.2	0	+0.2	V
Operating Frequency	f	2.0	-	6.0	GHz

**ELECTRICAL CHARACTERISTICS 1**

( $T_A = +25^\circ\text{C}$ ,  $V_{\text{cont (H)}} = 3.0\text{ V}$ ,  $V_{\text{cont (L)}} = 0\text{ V}$ ,  $Z_O = 50\ \Omega$ , DC blocking capacitors = 6 pF, unless otherwise specified)

Parameter	Symbol	Test Conditions	MIN.	TYP.	MAX.	Unit
Insertion Loss 1	$L_{\text{ins1}}$	$f = 2.0\text{ to }2.5\text{ GHz}$	–	0.40	0.60	dB
Insertion Loss 2	$L_{\text{ins2}}$	$f = 2.5\text{ to }6.0\text{ GHz}$	–	0.50	0.80	dB
Isolation 1 (INPUT–OFF Port)	ISL1	$f = 2.0\text{ to }2.5\text{ GHz}$	23	26	–	dB
Isolation 2 (INPUT–OFF Port)	ISL2	$f = 2.5\text{ to }6.0\text{ GHz}$	22	25	–	dB
Isolation 3 (OUTPUT1–OUTPUT2)	ISL3	$f = 2.0\text{ to }2.5\text{ GHz}$	24	27	–	dB
Isolation 4 (OUTPUT1–OUTPUT2)	ISL4	$f = 2.5\text{ to }6.0\text{ GHz}$	24	27	–	dB
Input Return Loss 1	$RL_{\text{in1}}$	$f = 2.0\text{ to }2.5\text{ GHz}$	15	20	–	dB
Input Return Loss 2	$RL_{\text{in2}}$	$f = 4.9\text{ to }6.0\text{ GHz}$	15	20	–	dB
Input Return Loss 3	$RL_{\text{in3}}$	$f = 2.5\text{ to }4.9\text{ GHz}$	12	17	–	dB
Output Return Loss 1	$RL_{\text{out1}}$	$f = 2.0\text{ to }2.5\text{ GHz}$	15	20	–	dB
Output Return Loss 2	$RL_{\text{out2}}$	$f = 4.9\text{ to }6.0\text{ GHz}$	15	20	–	dB
Output Return Loss 3	$RL_{\text{out3}}$	$f = 2.5\text{ to }4.9\text{ GHz}$	12	17	–	dB
0.1 dB Loss Compression Input Power <sup>Note</sup>	$P_{\text{in (0.1 dB)}}$	$f = 2.5\text{ GHz}$	+26	+29	–	dBm
		$f = 6.0\text{ GHz}$	+26	+29	–	dBm
1 dB Loss Compression Input Power <sup>Note</sup>	$P_{\text{in (1 dB)}}$	$f = 2.5\text{ GHz}$	–	+30.5	–	dBm
		$f = 6.0\text{ GHz}$	–	+30.5	–	dBm
Input 3 <sup>rd</sup> order Intercept Point	IIP <sub>3</sub>	$f = 2.5\text{ GHz}$	–	+50	–	dBm
Switch Control Current	$I_{\text{cont}}$	No RF input	–	0.1	1.0	μA
Switch Control Speed	$t_{\text{sw}}$	50% CTL to 90/10% RF	–	20	100	ns

Note:  $P_{\text{in (0.1 dB)}}$  is the measured input power level when the insertion loss increases 0.1 dB more than that of the linear range.

$P_{\text{in (1 dB)}}$  is the measured input power level when the insertion loss increases 1 dB more than that of the linear range.

**CAUTION**

It is necessary to use DC blocking capacitors with this device.

The value of DC blocking capacitors should be chosen to accommodate the frequency of operation, bandwidth, switching speed and the condition with actual board of your system.

<R> **ELECTRICAL CHARACTERISTICS 2**  
 ( $T_A = +25^\circ\text{C}$ ,  $V_{\text{cont (H)}} = 1.8\text{ V}$ ,  $V_{\text{cont (L)}} = 0\text{ V}$ ,  $Z_O = 50\ \Omega$ , DC blocking capacitors = 6 pF, unless otherwise specified)

Parameter	Symbol	Test Conditions	MIN.	TYP.	MAX.	Unit
Insertion Loss 1	$L_{\text{ins1}}$	$f = 2.0\text{ to }2.5\text{ GHz}$	–	0.40	0.60	dB
Insertion Loss 2	$L_{\text{ins2}}$	$f = 2.5\text{ to }6.0\text{ GHz}$	–	0.50	0.80	dB
Isolation 1 (INPUT–OFF Port)	ISL1	$f = 2.0\text{ to }2.5\text{ GHz}$	22	26	–	dB
Isolation 2 (INPUT–OFF Port)	ISL2	$f = 2.5\text{ to }6.0\text{ GHz}$	22	25	–	dB
Isolation 3 (OUTPUT1–OUTPUT2)	ISL3	$f = 2.0\text{ to }2.5\text{ GHz}$	22	27	–	dB
Isolation 4 (OUTPUT1–OUTPUT2)	ISL4	$f = 2.5\text{ to }6.0\text{ GHz}$	22	27	–	dB
Input Return Loss 1	$RL_{\text{in1}}$	$f = 2.0\text{ to }2.5\text{ GHz}$	15	20	–	dB
Input Return Loss 2	$RL_{\text{in2}}$	$f = 4.9\text{ to }6.0\text{ GHz}$	15	20	–	dB
Input Return Loss 3	$RL_{\text{in3}}$	$f = 2.5\text{ to }4.9\text{ GHz}$	12	17	–	dB
Output Return Loss 1	$RL_{\text{out1}}$	$f = 2.0\text{ to }2.5\text{ GHz}$	15	20	–	dB
Output Return Loss 2	$RL_{\text{out2}}$	$f = 4.9\text{ to }6.0\text{ GHz}$	15	20	–	dB
Output Return Loss 3	$RL_{\text{out3}}$	$f = 2.5\text{ to }4.9\text{ GHz}$	12	17	–	dB
0.1 dB Loss Compression Input Power <sup>Note</sup>	$P_{\text{in (0.1 dB)}}$	$f = 2.5\text{ GHz}$	+20	+23	–	dBm
		$f = 6.0\text{ GHz}$	+19	+23	–	dBm
1 dB Loss Compression Input Power <sup>Note</sup>	$P_{\text{in (1 dB)}}$	$f = 2.5\text{ GHz}$	–	+28	–	dBm
		$f = 6.0\text{ GHz}$	–	+27	–	dBm
Input 3 <sup>rd</sup> order Intercept Point	IIP <sub>3</sub>	$f = 2.5\text{ GHz}$	–	+50	–	dBm
Switch Control Current	$I_{\text{cont}}$	No RF input	–	0.1	1.0	μA
Switch Control Speed	$t_{\text{sw}}$	50% CTL to 90/10% RF	–	20	100	ns

Note:  $P_{\text{in (0.1 dB)}}$  is the measured input power level when the insertion loss increases 0.1 dB more than that of the linear range.

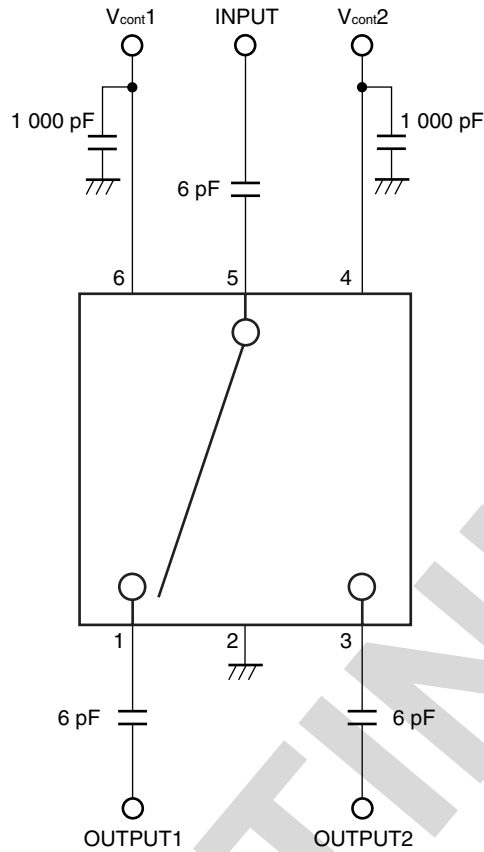
$P_{\text{in (1 dB)}}$  is the measured input power level when the insertion loss increases 1 dB more than that of the linear range.

### CAUTION

It is necessary to use DC blocking capacitors with this device.

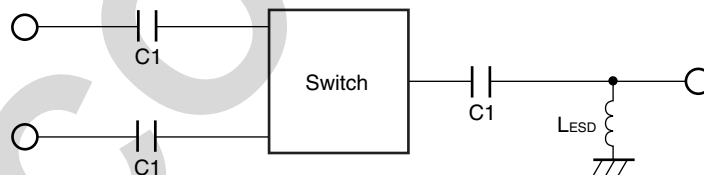
The value of DC blocking capacitors should be chosen to accommodate the frequency of operation, bandwidth, switching speed and the condition with actual board of your system.

## EVALUATION CIRCUIT



The application circuits and their parameters are for reference only and are not intended for use in actual design-ins.

## &lt;R&gt; APPLICATION INFORMATION

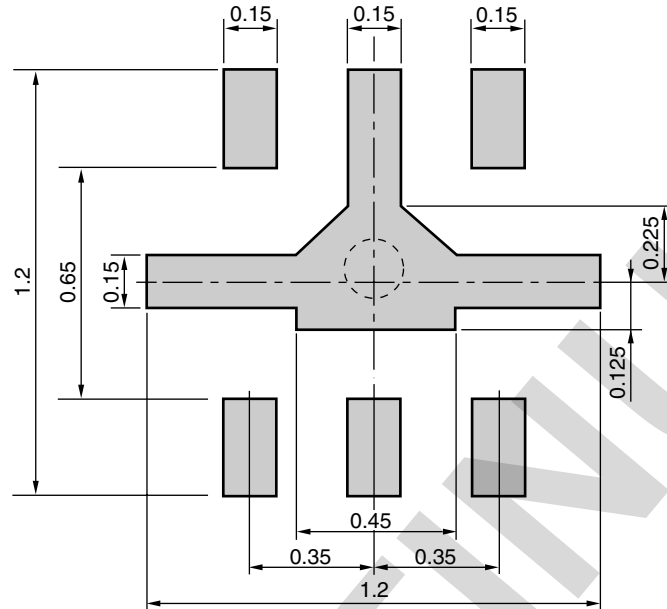


- C1 are DC blocking capacitors external to the device.  
The value may be tailored to provide specific electrical responses.
- The RF ground connections should be kept as short as possible and connected directly to a good RF ground for best performance.
- $L_{ESD}$  provides a means to increase the ESD protection on a specific RF port, typically the port attached to the antenna.

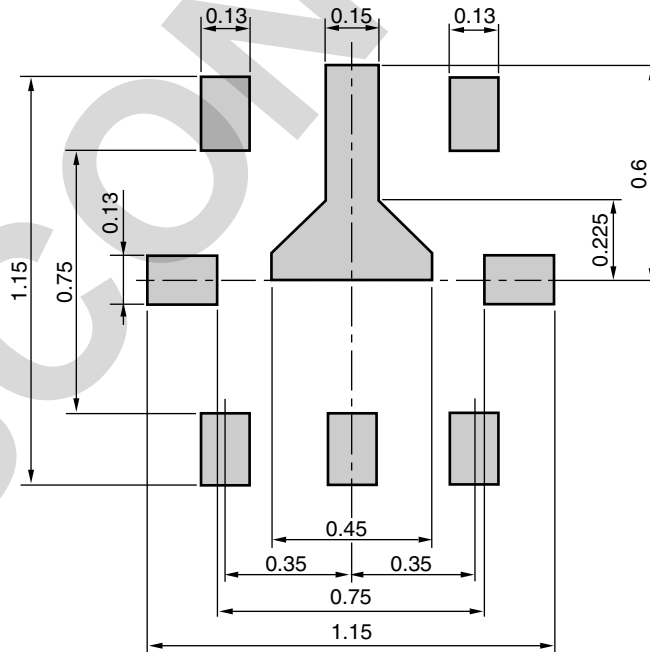
## MOUNTING PAD AND SOLDER MASK LAYOUT DIMENSIONS

6-PIN PLASTIC TSSOP (T6R) (UNIT: mm)

### MOUNTING PAD



### SOLDER MASK



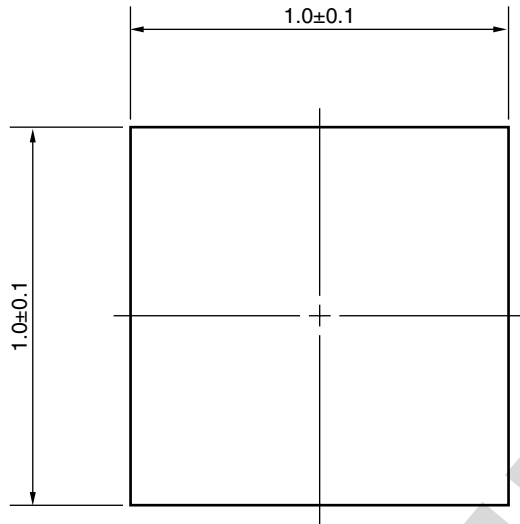
Solder thickness : 0.08 mm

**Remark** The mounting pad and solder mask layouts in this document are for reference only.

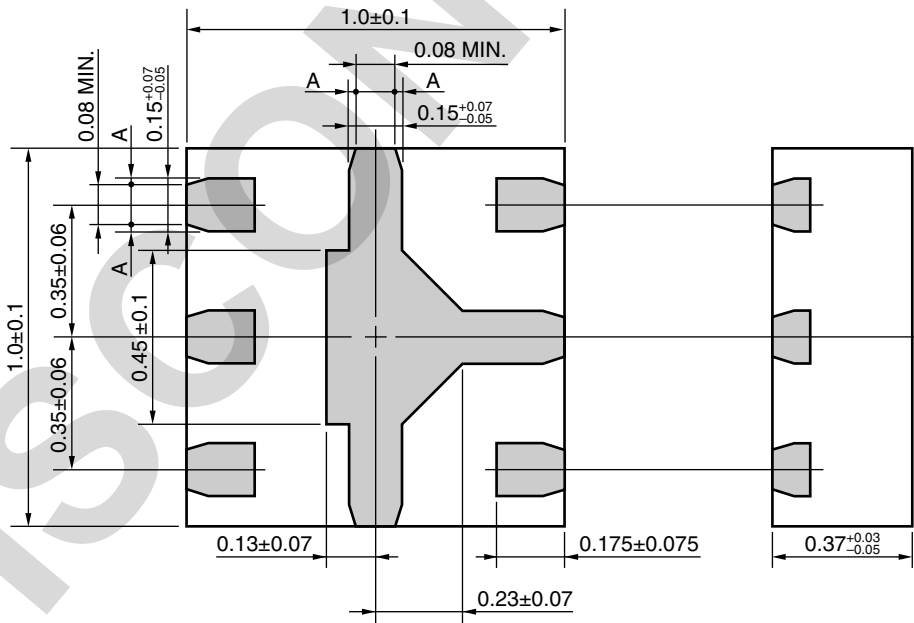
**PACKAGE DIMENSIONS**

**6-PIN PLASTIC TSSON (T6R) (UNIT: mm)**

**(Top View)**



**(Bottom View)**



**Remark** A > 0

## RECOMMENDED SOLDERING CONDITIONS

This product should be soldered and mounted under the following recommended conditions. For soldering methods and conditions other than those recommended below, contact your nearby sales office.

Soldering Method	Soldering Conditions	Condition Symbol
Infrared Reflow	Peak temperature (package surface temperature) : 260°C or below Time at peak temperature : 10 seconds or less Time at temperature of 220°C or higher : 60 seconds or less Preheating time at 120 to 180°C : 120±30 seconds Maximum number of reflow processes : 3 times Maximum chlorine content of rosin flux (% mass) : 0.2% (Wt.) or below	IR260
Partial Heating	Peak temperature (terminal temperature) : 350°C or below Soldering time (per side of device) : 3 seconds or less Maximum chlorine content of rosin flux (% mass) : 0.2% (Wt.) or below	HS350

&lt;R&gt;

### CAUTION

Do not use different soldering methods together (except for partial heating).



<b>Caution</b> GaAs Products	<p>This product uses gallium arsenide (GaAs). GaAs vapor and powder are hazardous to human health if inhaled or ingested, so please observe the following points.</p> <ul style="list-style-type: none"><li>• Follow related laws and ordinances when disposing of the product. If there are no applicable laws and/or ordinances, dispose of the product as recommended below.<ol style="list-style-type: none"><li>1. Commission a disposal company able to (with a license to) collect, transport and dispose of materials that contain arsenic and other such industrial waste materials.</li><li>2. Exclude the product from general industrial waste and household garbage, and ensure that the product is controlled (as industrial waste subject to special control) up until final disposal.</li></ol></li><li>• Do not burn, destroy, cut, crush, or chemically dissolve the product.</li><li>• Do not lick the product or in any way allow it to enter the mouth.</li></ul>
------------------------------	--

DISCONTINUED

## Revision History

 $\mu$ PG2185T6R Data Sheet

Rev.	Date	Description	
		Page	Summary
1.00	May 30, 2008	–	First Edition Issued
2.00	Aug 22, 2008	–	Second Edition Issued
3.00	Nov 22, 2012	All	The format of Renesas Electronics Corporation is applied to this data sheet.
		p.1	The value of Switch control voltage ( $V_{\text{cont (H)}}$ ) is changed to "1.8 to 3.6 V".
		p.2	The minimum and maximum values of Switch control voltage ( $V_{\text{cont (H)}}$ ) are changed to 1.8 V and 3.6V, respectively.
		p.4	ELECTRICAL CHARACTERISTICS 2 is added.
		p.5	APPLICATION INFORMATION is added.
		p.8	The "Wave Soldering" is deleted from RECOMMENDED SOLDERING CONDITIONS.