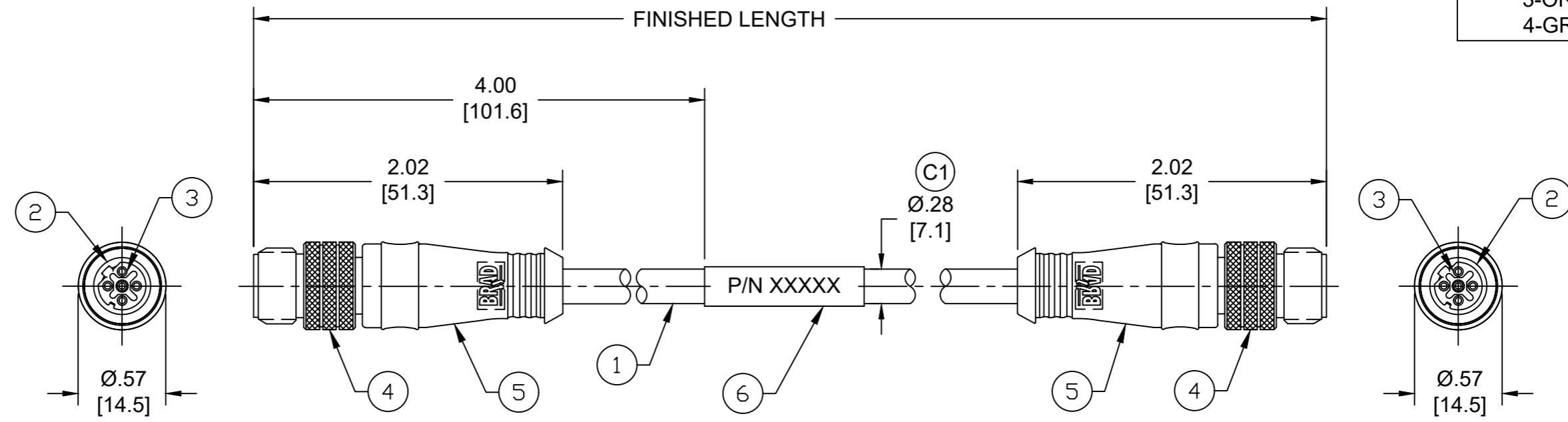
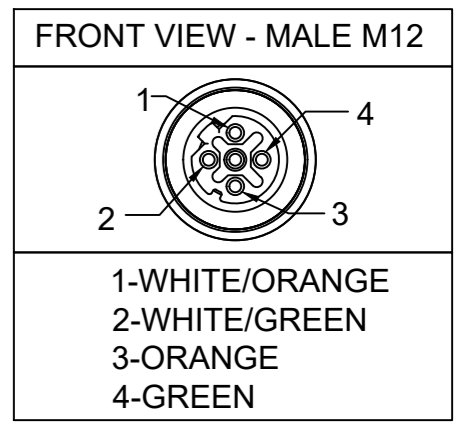


| MATERIAL NUMBER | ENGINEERING NUMBER | FINISHED LENGTH  |
|-----------------|--------------------|------------------|
| 1201088181      | E11A06006M005      | 0.5M [1FT 8 IN]  |
| 1201080366      | E11A06006M600      | 60M[196FT 10 IN] |
| 1201080533      | E11A06006T100      | 100M[328FT 1 IN] |



- NOTES:
1. MATERIAL: AS NOTED
  2. FINISH: AS NOTED
  3. ELECTRICAL:  
VOLTAGE: 30V AC/DC  
CURRENT: 1.5A
  4. TEMP RATING: -20°TO +75°C (C1)
  5. PROTECTION: IP67 (WHEN MATED)
  6. COUPLING THREAD: M12X1
  7. UL LISTED FILE: E361772 (C1)
  8. ALL DIMENSIONS ARE FOR REFERENCE UNLESS TOLERANCED OR NOTED OTHERWISE

**PART NUMBER LEGEND**  
**E11A06006M005**

FINISHED LENGTH  
M005 - 0.5 METER  
M010 - 1 METER  
M200 - 20 METER  
T100 - 100 METER

(C1) CABLE LENGTH TOLERANCES

|                          |                         |
|--------------------------|-------------------------|
| <.3M [1FT]:              | +19mm-0 [+ .75in-0]     |
| .3 - .9M [1 - 3FT]:      | +44.5mm-0 [+1.75in-0]   |
| .9 - 1.8M [3 - 6FT]:     | +55.6mm-0 [+2.19in-0]   |
| 1.8 - 3.7M [6 - 12FT]:   | +88.9mm-0 [+3.50in-0]   |
| 3.7 - 7.3M [12 - 24FT]:  | +165.1mm-0 [+6.50in-0]  |
| 7.3-14.6M [24 - 48FT]:   | +317.5mm-0 [+12.50in-0] |
| 14.6 - 30.5M [48-100FT]: | +622.3mm-0 [+24.50in-0] |
| OVER 30M [100FT]         | +2% OF FINISHED LENGTH  |

| ITEM | DESCRIPTION   | MATERIAL     | FINISH             |
|------|---------------|--------------|--------------------|
| 6    | WRAP LABEL    | VINYL        | BLACK/WHITE        |
| 5    | OVERMOLD      | PUR          | BLACK              |
| 4    | COUPLING NUT  | BRASS        | NICKEL PLATED      |
| 3    | CONTACT PIN   | COPPER ALLOY | GOLD/NICKEL PLATED |
| 2    | MALE INSERT   | PUR          | BLACK              |
| 1    | #24 AWG CABLE | TPE JACKET   | BLUE               |

|  |   |                        |                              |                 |
|--|---|------------------------|------------------------------|-----------------|
| FUNCTIONAL SYMBOLS<br>F=0<br>E=0<br>P=0              | THIS DRAWING CONTAINS INFORMATION THAT IS PROPRIETARY TO MOLEX ELECTRONIC TECHNOLOGIES, LLC AND SHOULD NOT BE USED WITHOUT WRITTEN PERMISSION |                        |                              |                 |
|  | DIMENSION UNITS   | SCALE                  |                              |                 |
|  | INCH/MM   | NTS                    | EC NO: 703079                |                 |
|  | GENERAL TOLERANCES (UNLESS SPECIFIED)   |                        | DRWN: ABENJAMINLW 2021/10/27 |                 |
| 4 PLACES   | ±----   | ±----                  | CHK'D: RSTONE 2022/04/12     |                 |
| 3 PLACES   | ±----   | ±----                  | APPR: BWOODMAN 2022/04/18    |                 |
| 2 PLACES   | ±----   | ±----                  | INITIAL REVISION:            |                 |
| 1 PLACE  | ±----   | ±----                  | DRWN: BARDEN 2013/02/15      |                 |
| 0 PLACES   | ±----   | ±----                  | APPR: JFMURPHY 2013/04/18    |                 |
| ANGULAR TOL ± ---- °                                 |   | THIRD ANGLE PROJECTION |                              | DOCUMENT NUMBER |
| DRAFT WHERE APPLICABLE MUST REMAIN WITHIN DIMENSIONS |   | DRAWING                | SERIES                       | SD-120108-052   |
|  |   | B-SIZE                 | 120108                       | PSD 001 C1      |
|  |   | MATERIAL NUMBER        | CUSTOMER                     | SHEET NUMBER    |
|  |   | SEE CHART              | FORD                         | 1 OF 1          |