

SUMMARY



Image is for illustrative purpose only

Wires

Triax 1

Series 4S
Termination type Male solder
IP rating 50
AWG wire size 0.00 - 0.00
Cable Ø 9.10 - 10.00 mm
Status active
Matching parts [ERA.4S.675.CTL](#)

Download

[Request a quote](#)
[Catalog](#)

TECHNICAL DETAILS

Mechanics

Shell Style/Model FFA*: Straight plug, cable collet and nut for fitting a bend relief
Keying Circular, male
Housing Material Brass (chrome plated [SAE AMS 2460]) shell and collet nut, nickel plated [SAE AMS QQ N 290] brass latch sleeve and mid pieces
Variant Z : Nut for fitting a bend relief
Weight 152.76 g

Performance

Configuration 4S.675 : 1 Triax (75 Ohm)
Insulator T: PTFE
Rated Current 15 Amps

Specifications

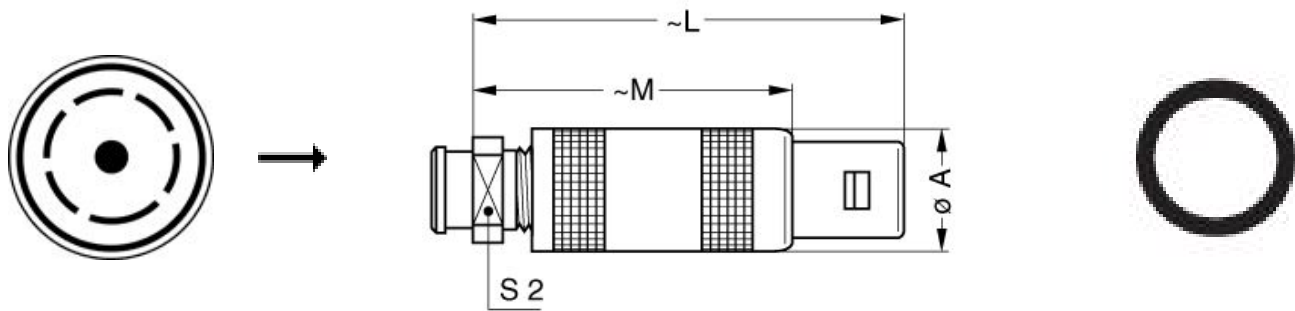
Contact Type: Solder
Vtest: 1500 V (AC), 2100 V (DC)
Impedance: 75 Ohm
VSWR: 1.01 + 0.14 * f /GHz
Cable type: Belden 8215,8232A,HF-2426,Triax 8 Nokia,375 029 LEDE, Belden 9267,8233A, Triax 11 Nokia,466 140 LEDE

LEMO products and services are provided "as is". LEMO makes no warranties or representations with regard to LEMO product & services or use of them, express, implied or statutory, including for accuracy, completeness, or security. The user is fully responsible for his products and applications using LEMO components.

Others

Endurance (Shell): 5000 mating cycles
Temp (min / max): -55°C / +250°C
Humidity (max): <=95% [at 60 deg C / 140 F]
Vibration: 15 g [10 Hz - 2000 Hz]
Shock Resistance: 100 g [6 ms]
Climatical Category: 50/175/21
Shielding (min): 75 dB (10 MHz)
Shielding (min): 40 dB (1 GHz)
Salt Spray Corrosion: >144 hr

DRAWINGS



Dimensions

	A	L	M	S2
mm.	24.8	77	59	20
in.	0,98	3,03	2,32	0,79

RECOMMENDED BY LEMO

Tools

Caps: [BFA.4S.100.NAS](#)

LEMO products and services are provided "as is". LEMO makes no warranties or representations with regard to LEMO product & services or use of them, express, implied or statutory, including for accuracy, completeness, or security. The user is fully responsible for his products and applications using LEMO components.

LEMO products and services are provided "as is". LEMO makes no warranties or representations with regard to LEMO product & services or use of them, express, implied or statutory, including for accuracy, completeness, or security. The user is fully responsible for his products and applications using LEMO components.