

THIS DRAWING IS UNPUBLISHED.

RELEASED FOR PUBLICATION

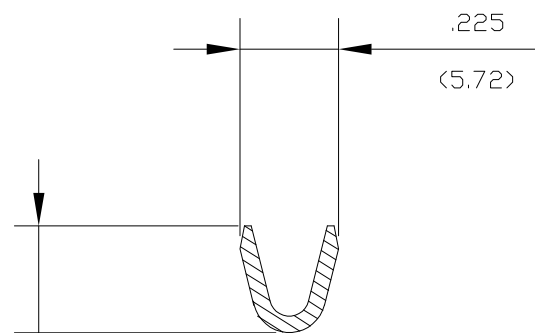
ALL RIGHTS RESERVED.

© COPYRIGHT - By -

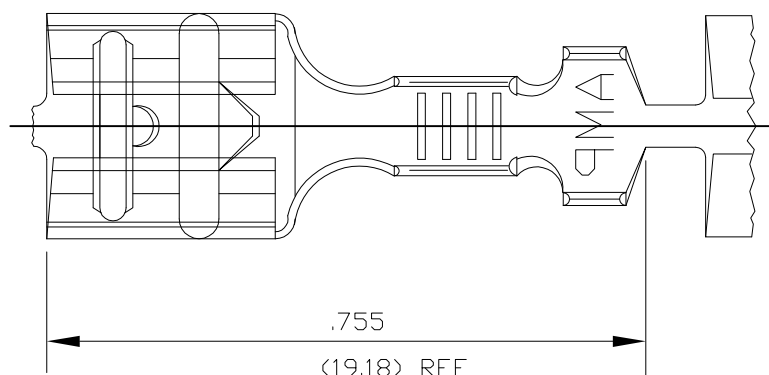
LOC AF DIST 50

REVISIONS

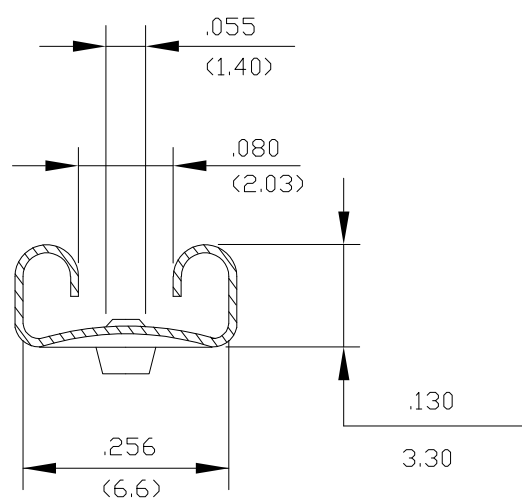
P	LTR	DESCRIPTION	DATE	DWN	APVD
	H2	REV PER ECO 12-008602	07MAY12	JR	PD



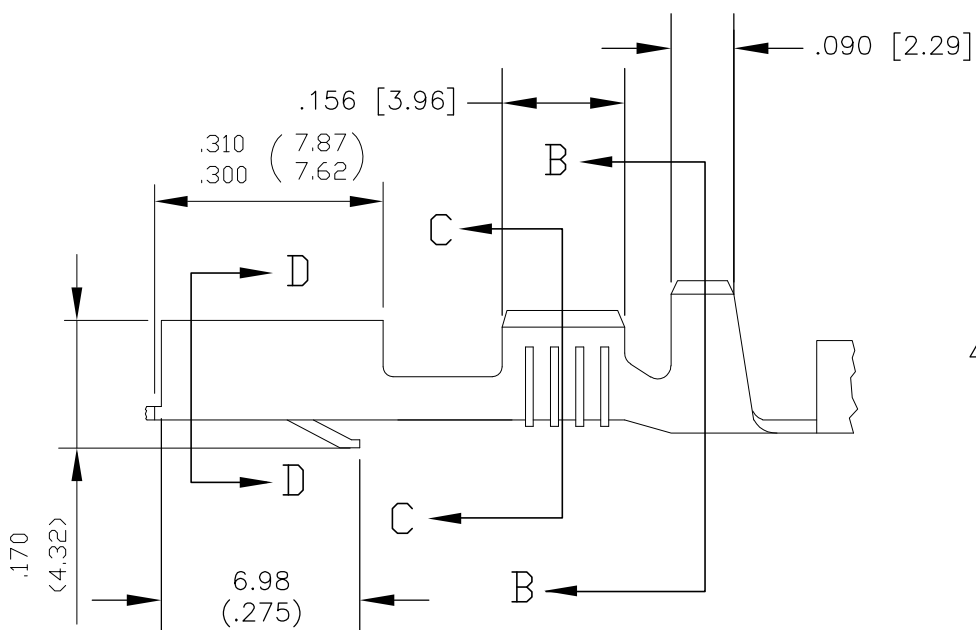
SECTION C - C



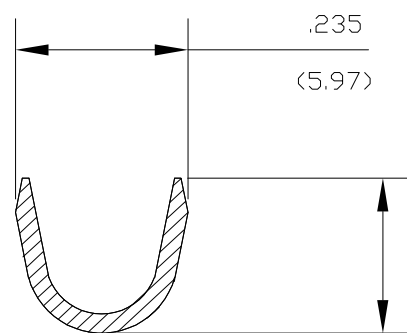
.225 (5.72) REF



SECTION D - D




1. ALL DIMENSIONS ARE IN INCHES (mm).
2. GENERAL TOLERANCES ±.010 (±0.25).
3. OBSOLETE PARTS: OBSOLETE CIS STREAMLINING PER D.RENAUD/D.SINISI



SECTION B - B

	FINISH	MATERIAL	AMP P/N
3	OBSOLETE	TIN	PH BRZ 156503-4
3	OBSOLETE	N O N E	PH BRZ 156503-3
		TIN	BRASS 156503-2
3	OBSOLETE	N O N E	BRASS 156503-1

THIS DRAWING IS A CONTROLLED DOCUMENT.		DWN R FLAIG 19SEP02	 TE Connectivity NAME 250 SERIES FASTIN - FASTON RECEPTACLE			
DIMENSIONS: INCHES		CHK N DEIBERT 19SEP2002				
TOLERANCES UNLESS OTHERWISE SPECIFIED:		APVD N DEIBERT 19SEP2002				
0 PLC ± - 1 PLC ± - 2 PLC ± - 3 PLC ± - 4 PLC ± - ANGLES ± -		PRODUCT SPEC -				
MATERIAL SEE TABLE	FINISH SEE TABLE	APPLICATION SPEC -	SIZE A3	CAGE CODE 00779	DRAWING NO C-156503	RESTRICTED TO -
CUSTOMER DRAWING			WEIGHT -	SCALE 1:1	SHEET 1 OF 1	REV H2