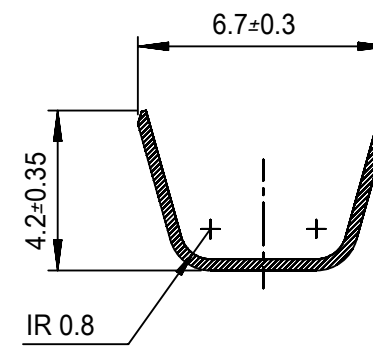
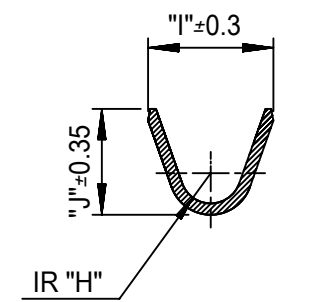


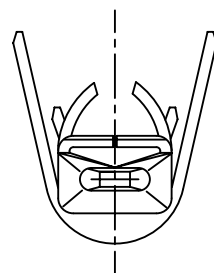
SECTION A-A



SECTION A-A
(35040-9502)



SECTION B-B



NOTES.

1. MATERIAL : BRASS
2. FINISH : PRE-TIN PLATED
0.8~1.8µm, TIN(Sn) OVER
0.3~0.8µm. COPPER(Cu) OVERALL
3. PRODUCT SPECIFICATION : PS-35127-001
4. PACKAGING SPECIFICATION : PK-35040-001
5. MATES WITH
 - MALE HOUSING : 35127-**00
 - FEMALE TERMINAL : 35028 SERIES

[TABLE]

H	I	J	K	L	M	MATERIAL NO.	ENG NO.	△ APPLICABLE WIRE RANGE
0.8	3.0	3.2	0.8	3.35	3.55	350409802	35040-9802	AWG #20~#18[SINGLE WIRE]
0.8	3.2	3.5	1.55	5.4	5.3	350409000	35040-9000	AWG #16~#14[SINGLE WIRE]

THIS DRAWING CONTAINS INFORMATION THAT IS PROPRIETARY TO MOLEX ELECTRONIC TECHNOLOGIES, LLC AND SHOULD NOT BE USED WITHOUT WRITTEN PERMISSION											
DIMENSION UNITS mm		SCALE NTS		CURRENT REV DESC: OBSOLETE PART NO						molex	
GENERAL TOLERANCES (UNLESS SPECIFIED)				EC NO: 628886							
				MM		INCH		DRWN: VLOKESHA 2019/10/11		.070 MALE TERMINAL	
4 PLACES ±		±						CHK'D: GGA 2020/01/13			
3 PLACES ±		±						APPR: GGA 2020/01/13		PRODUCT CUSTOMER DRAWING	
2 PLACES ±		0.2 ±						INITIAL REVISION:			
1 PLACE ±		0.3 ±						DRWN: YJ.KIM 1992/08/29		DOCUMENT NUMBER	
0 PLACES ±								APPR: CW.LEE 1992/08/29		SD-35040-001	
ANGULAR TOL ±		1.0°								DOC TYPE DOC PART REVISION	
DRAFT WHERE APPLICABLE MUST REMAIN WITHIN DIMENSIONS		THIRD ANGLE PROJECTION		DRAWING		SERIES		MATERIAL NUMBER		CUSTOMER	
		A3-SIZE		35040		SEE TABLE		GENERAL MARKET		SHEET NUMBER	
										1 OF 1	