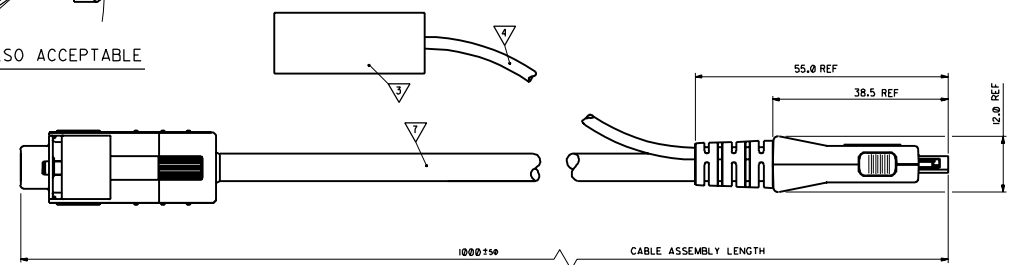
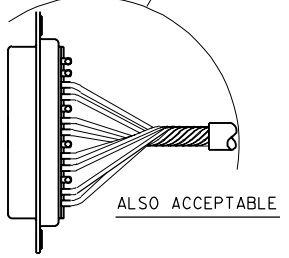
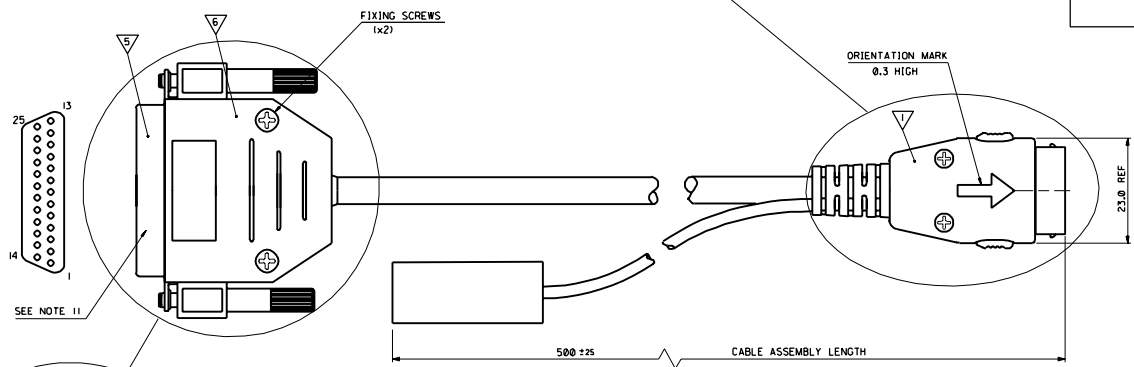


PARTIAL VIEW
SCALE 5:1



WIRING DIAGRAM : 16 CORE CABLE

D SUB	16 CORE CABLE	MOLEX I/O CONNECTOR
CIRCUIT No.	CONDUCTOR No.	CIRCUIT No.
1	1	1
5	2	2
10	3	3
17	4	4
14	5	5
15	6	6
7	7	7
4	8	8
8	9	9
19	10	10
15	11	11
18	12	12
11	13	13
23	14	14

WIRING DIAGRAM : R.F. CABLE



CABLE SPECIFICATION : 16 CORE CABLE

CABLE TYPE: FLAT RIBBON ROUND OTHER

SPRAL CABLE YES NO

NO. OF CONDUCTORS 16

2. CABLE REQUIREMENTS : N/A

3. CONDUCTOR SPECIFICATIONS :

CONDUCTOR 1	CONDUCTOR NO.	
	1 - 4	5 - 16
CENTRE	INSULATED	INSULATED
MATERIAL	TINNED CU	TINNED CU
2. A.S.G.	25	30
STRANDING O/D/GAUGE	7/30	7/38
TENSILE STRENGTH	N/A	N/A
MATERIAL	PVC	PVC
MET. WALL THICKNESS	0.22 REF	0.29 REF
COL. SUP.	22 SPECIFIED IN DWG 11000	22 SPECIFIED IN DWG 11000
OUTSIDE DIAMETER	LOW REF	0.70 REF
DIRECTION OF LAY	Z	S
LENGTH OF LAY	85.0 REF	85.0 REF
LLL RATING	UL - 2464	UL - 2464

4. FILLER : ENOUGH TO MAKE THE ASSEMBLY ROUND

5. SEPARATOR : N/A

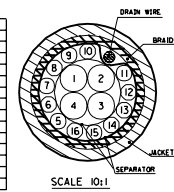
6. SHIELD : N/A

7. DRAIN WIRE : GAUGE 26 AWG
STRANDING REQUIREMENT DRAIN TO BE ON THE OUTSIDE OF THE SEPARATOR

8. SPIRAL BRAID : GAUGE 24 x 8 x 0.1
COPPER TYPE TINNED CU
NO. 5

9. CABLE JACKET : TYPE PVC
FINAL DIAMETER 6.8 REF
MIN. THICKNESS 0.6 REF
COLOUR BLACK
FINISH MATT
LLL RATING UL - 2464
HARDNESS
STRIKABILITY
MARKINGS

10. PACKAGING : PACKAGING SEE PACKAGING SPECIFICATION ESTABLISHED BY LOCAL PURCHASING AND MANUFACTURING DEPARTMENTS.



BILL OF MATERIALS

NO.	QUANTITY	SUPPLIER	DESCRIPTION	PART No.	SEE NOTE
1	1	MOLEX	16 CIRCUIT I/O MOBILE PHONE PLUG CONNECTOR	90813-0001	1, 2, 3
2	1	MOLEX	COAXIAL RF CONNECTOR	90853-0001	5
3	1	RADIALL	COAXIAL RF CONNECTOR	R280-357-000	5, 9
4	1	NO PREFERRED SUPPLIERS	COAXIAL CABLE 50 OHM BLACK	RG 316 U	5
5	1	MOLEX	D-SUB	87138-0300	11
6	1	MOLEX	D-SUB SHELLS	82007-0133	10
7	1	MOLEX	16 CORE CABLE SEE CABLE SPECIFICATION	99036-0001	4
8	1	MOLEX	MOULDED ON GROMMET		5, 6
9	1	NO PREFERRED SUPPLIERS	CRIMP RING	90875-0001	5

NOTES:-

- MATES WITH SERIES 90811 HANDSET CONNECTOR.
- SEE PRODUCT SPECIFICATION No. PS-99020-0033
- POWER CONTACTS TO BE ON CIRCUITS 1,2,15,16
- CABLE CONDUCTORS & RF COVERED WITH HEAT SHRINK INSULATION TUBING ONLY ON MOBILE PHONE PLUG CONNECTOR SIDE.
- ONLY AVAILABLE FROM MOLEX AS PART OF A CABLE ASSEMBLY.
- SEE GROMMET SPECIFICATION ES-99038-0001.
- PACKAGING : SEE PACKAGING SPECIFICATION ES-99039-0002 (OPTION L3), AND LABELLED AS SHOWN, YEAR AND MONTH, "XX", TO BE PRINTED ACCORDING TO IEC 62 INDEX 5.1.
- ASSEMBLIES TESTED FOR SHORTS AND CONTINUITIES BETWEEN ALL CIRCUITS.
- RADIALL OR CUSTOMER APPROVED EQUIVALENT.
- HARNESS CAN BE WITH OR WITHOUT SHELLS.
- HARNESS CAN ALSO BE ASSEMBLED WITH D SUB 87138-1320.

XX MXI
MOLEX 90813-1009

FOR PREVIOUS DRAWING ISSUES SEE MRL

REVISIONS

DATE OF ISSUE

BY

MC

SCALE 2:1

REVISE ONLY ON CAD SYSTEM

TEST HARNESS

MOLEX EUROPE

90813-1009

SDA-90813-1009

95/2/22