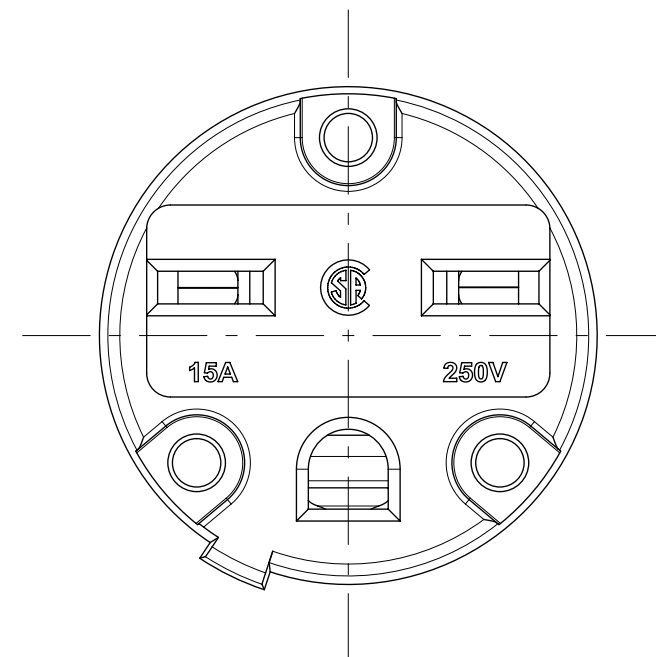
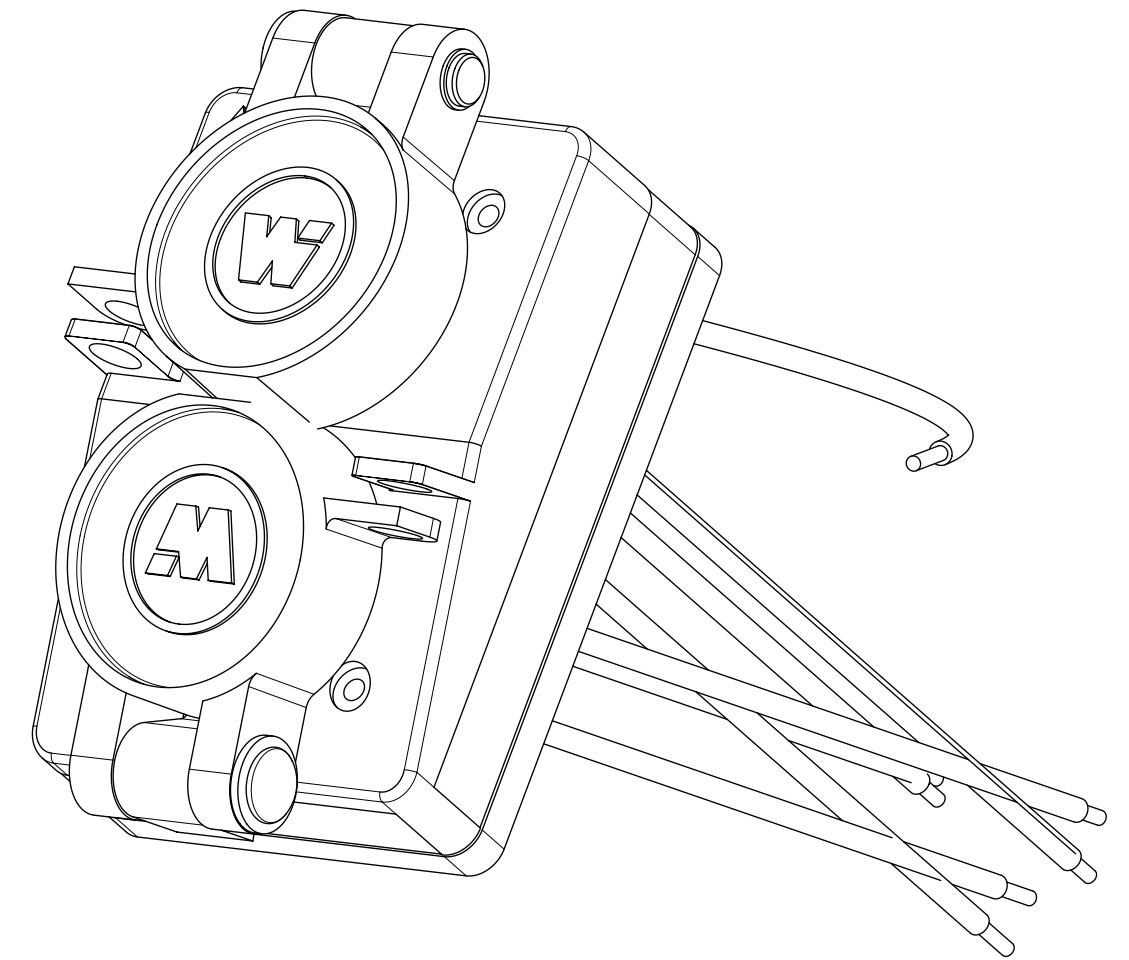
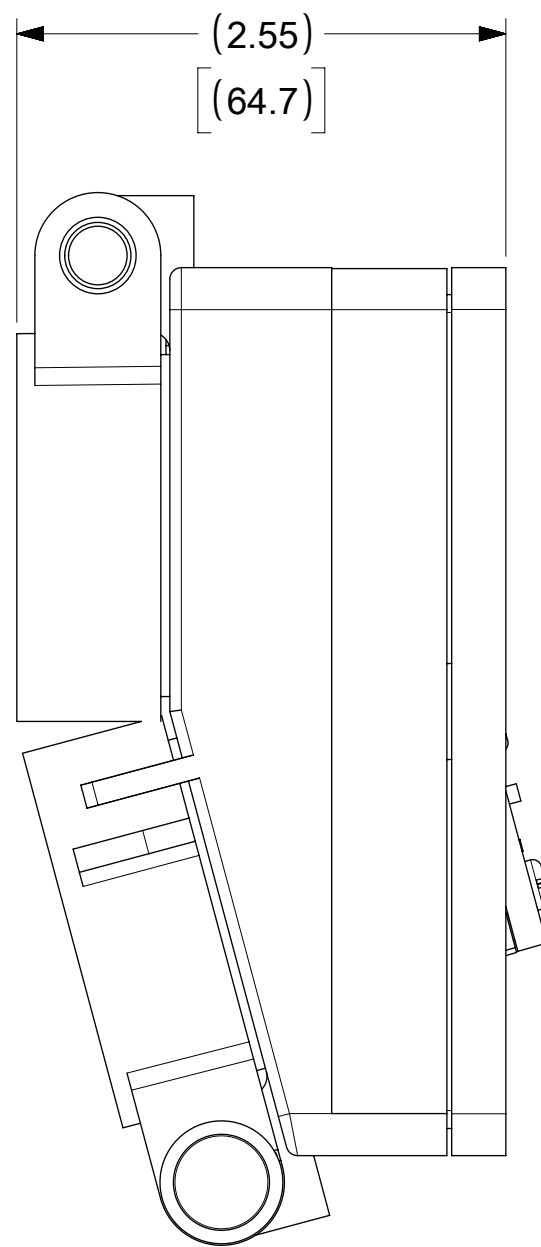
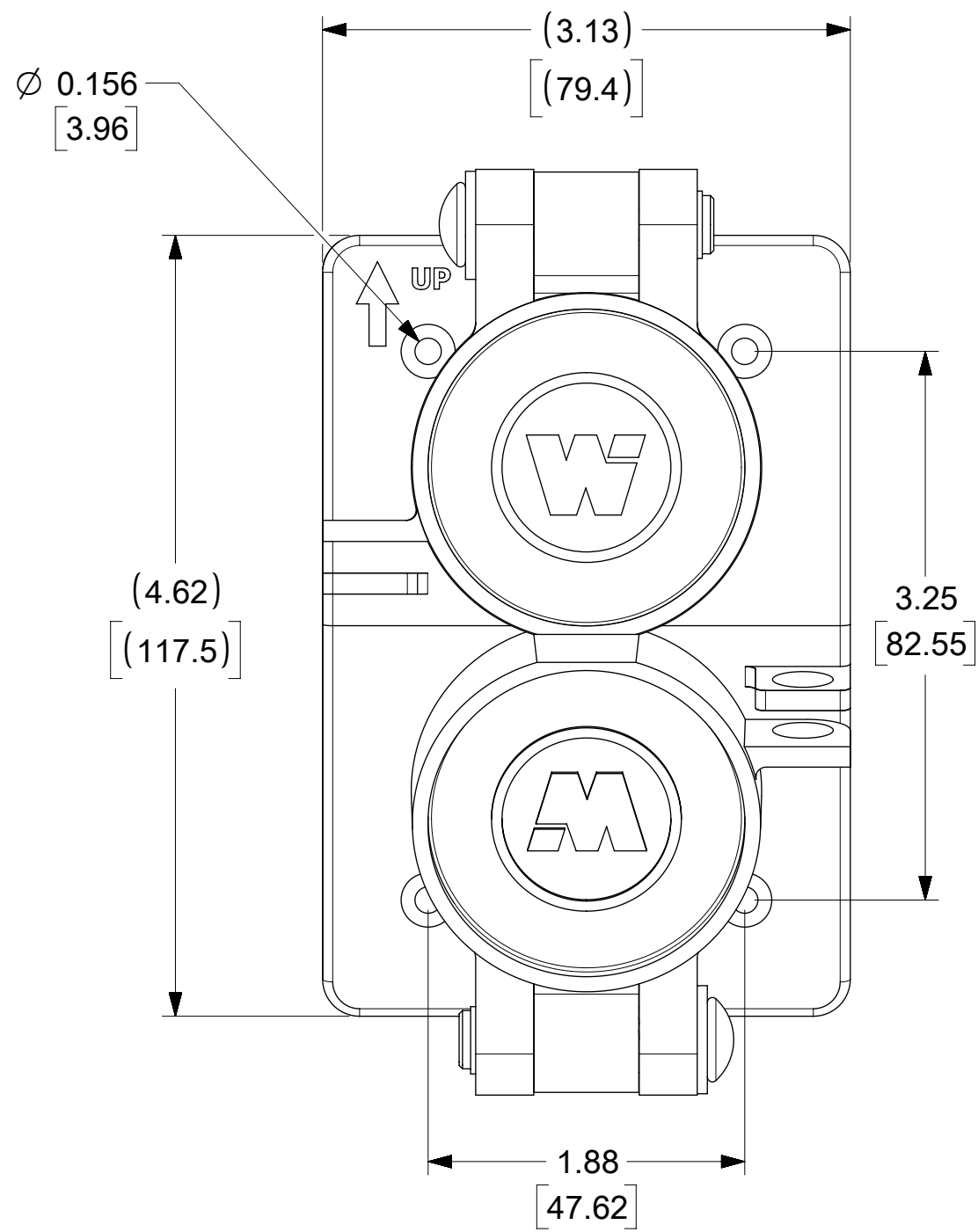
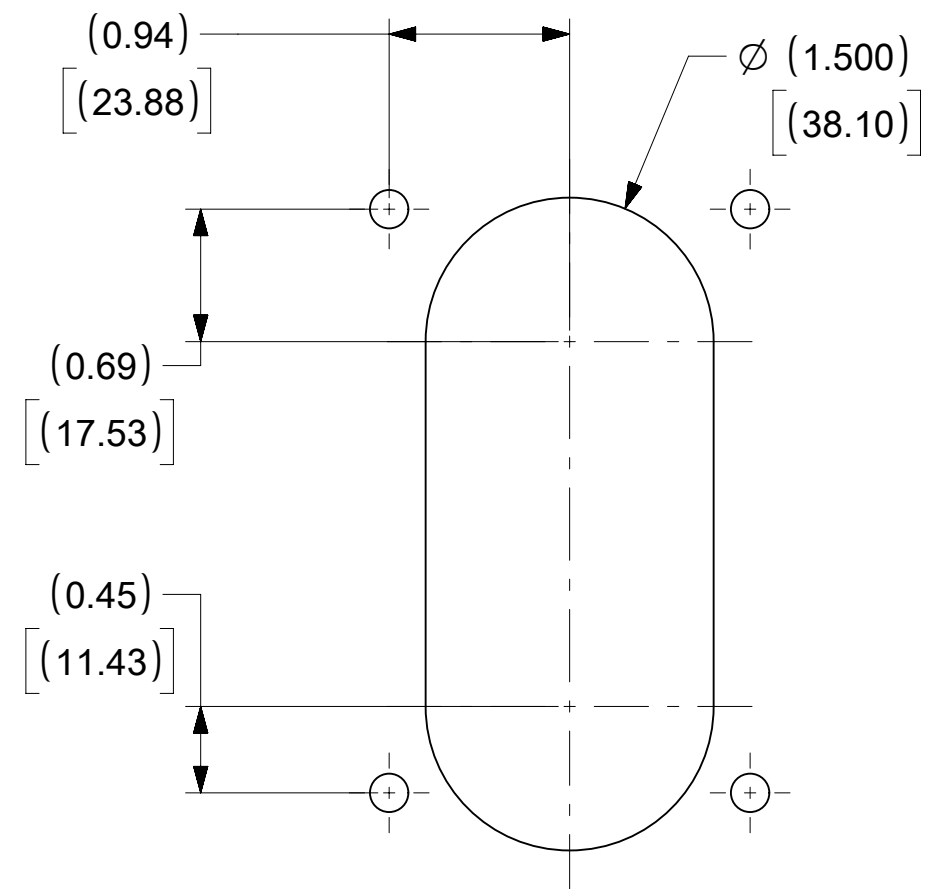


ORDER NO.	WOODHEAD NO.	COLOR
130146-0138	60W49DPLX	YELLOW



FACE VIEW



CLEARANCE HOLE (FOR PANEL MOUNT)

DESCRIPTION	MATERIAL	QTY.
RETAINING SCREWS	STAINLESS STEEL	6
INSERT ASSY	NYLON, BRASS, NICKEL & ZINC PLATED	2
GASKET	NEOPRENE	1
BASE PLATE	POLYCARBONATE	1
COVER FLIP LID	POLYCARBONATE	2
COVER PLATE	STAINLESS STEEL	1
SCREW (GROUND WIRE)	STAINLESS STEEL	1
FLAT WASHER	STAINLESS STEEL	2
RIVET	ALUMINUM	2
TORSION SPRING	STAINLESS STEEL WIRE	2
WASHER	STAINLESS STEEL	2
DOME PUSH CAP	STAINLESS STEEL	2
JUMPER WIRE ASSY	COPPER, BRASS (TINNED FINISH)	1
#12-1 BLACK WIRE	COPPER WIRE	2
#12-1 RED WIRE	COPPER WIRE	2
#12-1 GREEN WIRE	COPPER WIRE	2

THIS DRAWING CONTAINS INFORMATION THAT IS PROPRIETARY TO MOLEX ELECTRONIC TECHNOLOGIES, LLC AND SHOULD NOT BE USED WITHOUT WRITTEN PERMISSION												
SYMBOLS		DIMENSION UNITS		SCALE		CURRENT REV DESC: MIGRATE TO NX/ECTR						
▽ = 0	INCH	[MM]	NTS	EC NO: 613190 DRWN: SRPATIL 2019/01/03 CHK'D: DNGUYEN62 2019/03/07 APPR: HKNEELAND 2019/03/30 INITIAL REVISION: DRWN: SRPATIL 2019/01/03 APPR: HKNEELAND 2019/03/30								
▽ = 0	GENERAL TOLERANCES (UNLESS SPECIFIED)											
▽ = 0		MM	INCH									
▽ = 0	4 PLACES	±	±									
▽ = 0	3 PLACES	±	±	DRWN: SRPATIL 2019/01/03		SERIES		DOCUMENT NUMBER		DOC TYPE	DOC PART	REVISION
▽ = 0	2 PLACES	±	±	DRWN: SRPATIL 2019/01/03		130146		1301460138		PSD	000	A
▽ = 0	1 PLACE	±	±	DRWN: SRPATIL 2019/01/03		C-SIZE		SEE TABLE		GENERAL MARKET		SHEET NUMBER
▽ = 0	0 PLACES	±	±	DRWN: SRPATIL 2019/01/03		130146		GENERAL MARKET				1 OF 1
▽ = 0	ANGULAR TOL ± °			THIRD ANGLE PROJECTION		DRAWING		MATERIAL NUMBER		CUSTOMER		
▽ = 0	DRAFT WHERE APPLICABLE MUST REMAIN WITHIN DIMENSIONS			C-SIZE		130146		SEE TABLE		GENERAL MARKET		1 OF 1

DOCUMENT STATUS	P1	RELEASE DATE	2019/03/30	22:50:38
-----------------	----	--------------	------------	----------