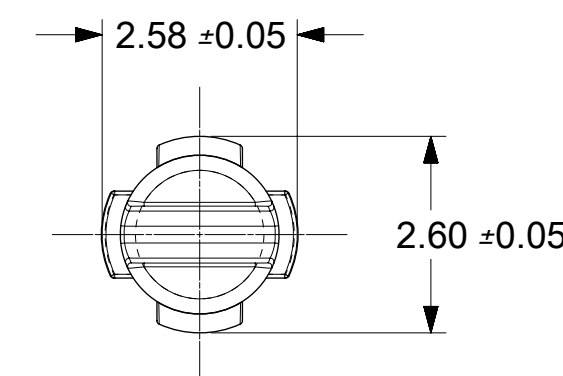


ISOMETRIC VIEW
SCALE 8:1



NOTES:

1. MATERIAL PP UL 94 V-0, COLOR : NATURAL
2. VOID PLUG DESIGNED TO USE WITH HOUSING SERIES # 172877 & 172878
3. THESE PARTS CONFORM TO CLASS "B" REQUIREMENTS OF COSMETIC SPECIFICATION PS-45499-002
4. PRODUCT SPECIFICATION: 1728770001-PS
5. PACKAGING SPECIFICATION: PK-173061-0001

THIS DRAWING CONTAINS INFORMATION THAT IS PROPRIETARY TO MOLEX ELECTRONIC TECHNOLOGIES, LLC AND SHOULD NOT BE USED WITHOUT WRITTEN PERMISSION												
REVISED-RSD TO SD EC NO: 112905 DRWN: ISHWARG CHKD: REV / APPR: KPRASAD	2017/01/30		2017/01/30		GENERAL TOLERANCES (UNLESS SPECIFIED)		DIMENSION UNITS		SCALE			
	2017/01/30		2017/01/30		ANGULAR TOL $\pm 0.5^\circ$		MM		10:1			
	4 PLACES \pm		3 PLACES \pm		2 PLACES ± 0.25		1 PLACE ± 0.36		0 PLACES \pm			DRWN BY: GES DATE: 2015/02/12
	3 PLACES \pm		2 PLACES \pm		1 PLACE \pm		0 PLACES \pm		CHKD BY: SS06 DATE: 2015/12/08			PRODUCT CUSTOMER DRAWING
	2 PLACES \pm		1 PLACE \pm		0 PLACES \pm		APPR BY: RHODGE DATE: 2015/04/06		DRAFT WHERE APPLICABLE MUST REMAIN WITHIN DIMENSIONS			SERIES: 173061 MATERIAL NUMBER: 1730610001 CUSTOMER: GENERAL MARKET
D1	C	THIRD ANGLE PROJECTION		DRAWING SIZE		C		SD-173061-0001		DOC TYPE: PSD DOC PART: 000 SHEET NUMBER: 1 OF 1		