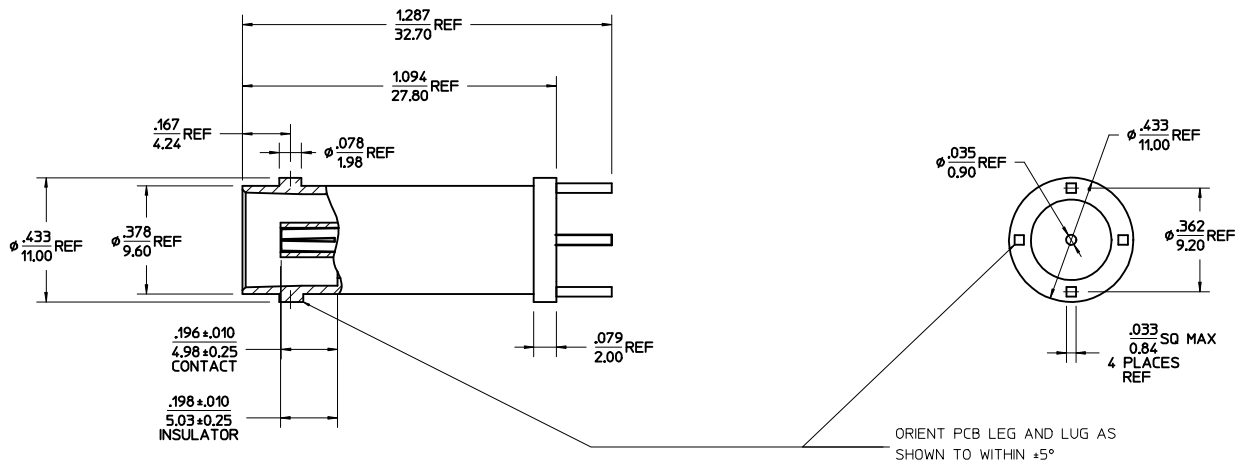


MATERIALS AND FINISHES

BODY BRASS
PLATED NICKEL

CENTER CONTACT PHOSPHOR BRONZE
PLATED GOLD (10 MICRINCH MIN)

INSULATOR TEFLON



PART # 73171-1250

PS-89675-0980	ELECTRO/MECH PERFORMANCE
SPECIFICATION	DESCRIPTION

CHG: RELEASE DRAWING. UPDATED BORDER. EC NO: URF2008-0107 DRWN: ROBERTSON 2007/08/16 CHKD: 2007/08/16 APPR: JMLENER 2007/08/16	QUALITY SYMBOLS ▽=0 ▽=0	GENERAL TOLERANCES (UNLESS SPECIFIED)		DIMENSION STYLE	SCALE	DESIGN UNITS	THIRD ANGLE PROJECTION		
				IN/MM	INCH	INCH			
				DRAWN BY	DATE	TITLE			
				CHECKED BY	DATE	BNC JACK 75 OHM VERTICAL PCB BNC-J/PCB			
		APPROVED BY		DATE	MOLEX INCORPORATED				
		MATERIAL NO.		DATE	DOCUMENT NO.		SHEET NO.		
		731711250		2002/03/26	SD-73171-125		1 OF 1		
		DRAFT WHERE APPLICABLE MUST REMAIN WITHIN DIMENSIONS							
		THIS DRAWING CONTAINS INFORMATION THAT IS PROPRIETARY TO MOLEX INCORPORATED AND SHOULD NOT BE USED WITHOUT WRITTEN PERMISSION							