



MC28L05F

Three-terminal Voltage Regulators

Features

- Halogen free available upon request by adding suffix "-HF"
- Lead Free Finish/RoHS Compliant ("P" Suffix designates RoHS Compliant. See ordering information)
- Maximum output current I_o :100mA
- Epoxy meets UL 94 V-0 flammability rating
- Moisture Sensitivity Level 1

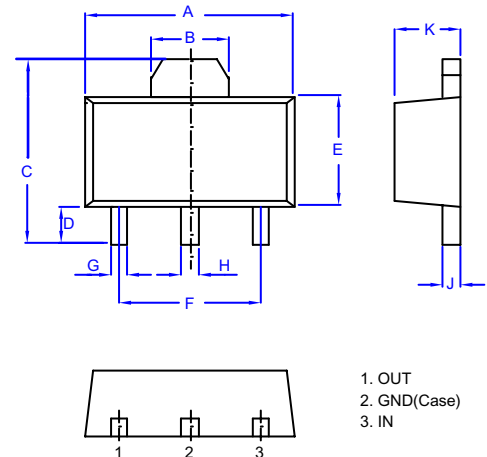
Maximum Ratings

Symbol	Rating	Rating	Unit
V_I	Input Voltage Range	-0.3~+45	V
T_{OPR}	Operating Ambient Temperature Range	-40~+85	°C
T_{STG}	Storage Temperature Range	-55~+150	°C

Electrical Characteristics @ 25°C Unless Otherwise Specified

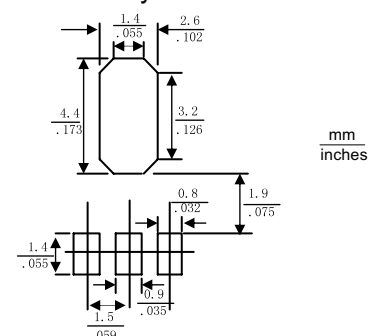
Parameter	Symbol	Test conditions	Min	Typ	Max	Unit
Input voltage	V_I	$I_o=10mA$	4.75		40	V
Output voltage	V_O	$I_o=10mA$	4.9	5	5.1	V
Load regulation	ΔV_o	$I_o=1mA-100mA$		0.6		%
Line regulation	ΔV_o	$7V \leq V_I \leq 24V, V_O=5V, I_o=1mA$		0.02		%/V
		$7V \leq V_I \leq 45V, V_O=5V, I_o=1mA$		0.1		%/V
Quiescent current	I_q	$V_I=7V, \text{No load}$			15	μA
		$V_I=24V, \text{No load}$			16	μA
		$V_I=40V, \text{No load}$			20	μA
Dropout Voltage	V_d	$I_o=1mA$			12	mV
		$I_o=100mA$			1200	mV
Output noise voltage	V_N	$I_o=10mA$	-100		100	μV
Ripple rejection	RR	$V_I=7V, f=100Hz$		60		dB
		$V_{pp}=0.5V, f=1kHz$		45		dB
		$I_o=1mA, f=10kHz$		35		dB
Maximum output current	I_{PK}	$R_L=1 \Omega$	180		460	mA
Thermal protection	T_{SD}	$I_o=1mA$		165		°C
Thermal protection Hys	T_{SD_HYS}	$I_o=1mA$		30		°C
Temperature coefficient	$\Delta V_o/\Delta T$	$I_o=1mA$		± 0.5		mV/°C

SOT-89

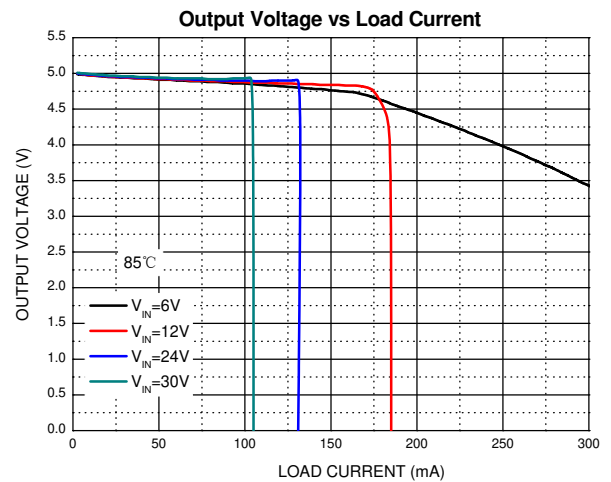
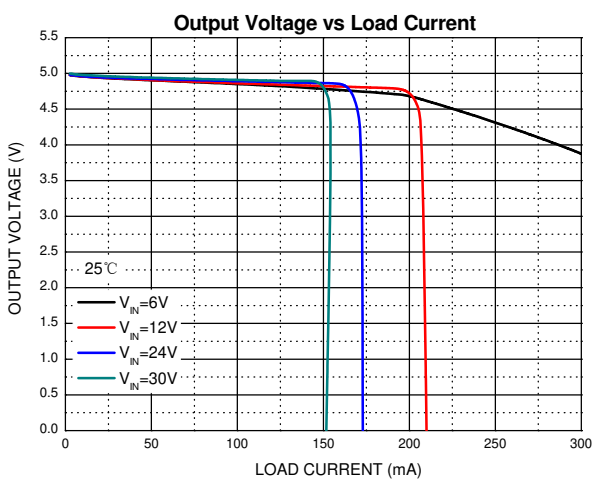
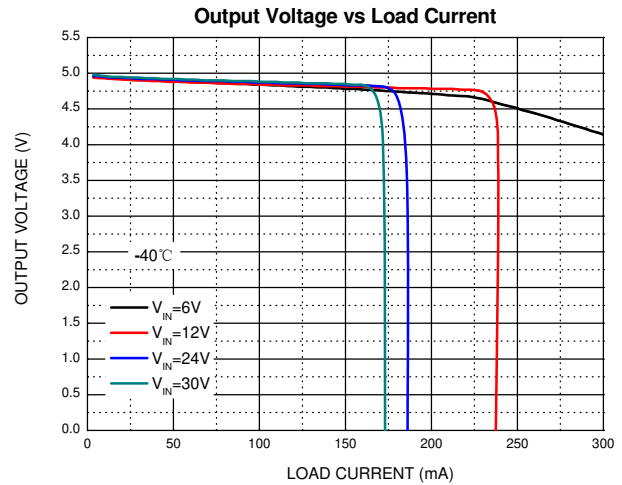
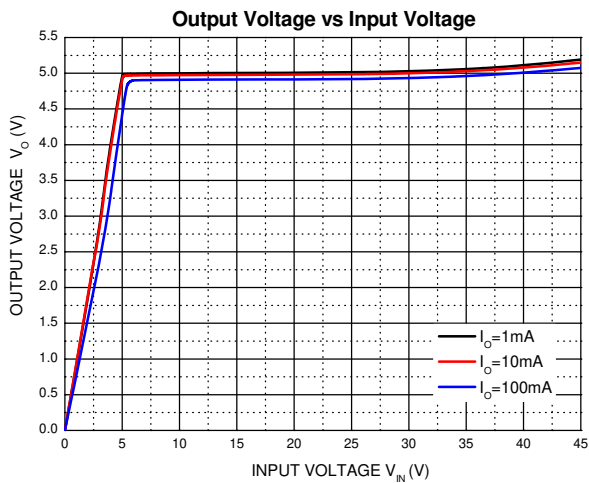
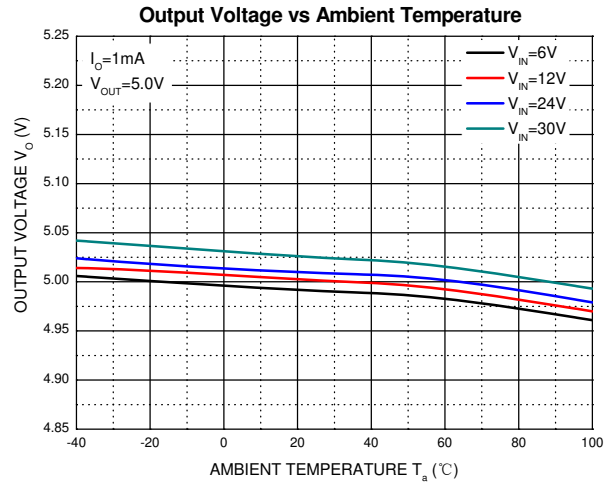
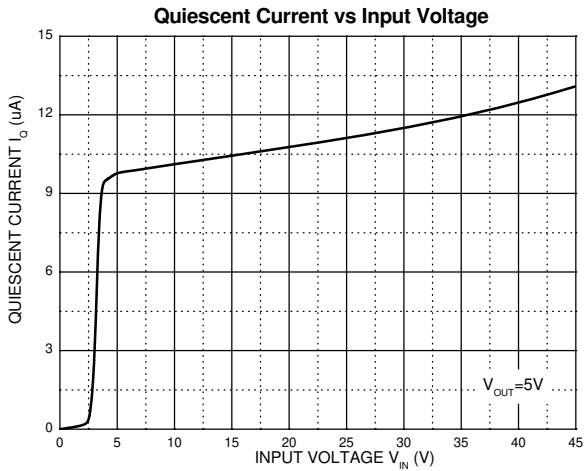


DIM	DIMENSIONS				NOTES
	INCHES		MM		
A	.173	.181	4.39	4.60	REF.
B	.061	----	1.55	----	
C	.154	.165	3.91	4.25	
D	.031	.047	0.80	1.20	
E	.092	.100	2.34	2.54	
F	.118	----	3.00	----	TYP
G	.013	.020	0.33	0.52	
H	.015	.021	0.38	0.53	
J	.014	.017	0.35	0.44	
K	.055	.063	1.40	1.60	

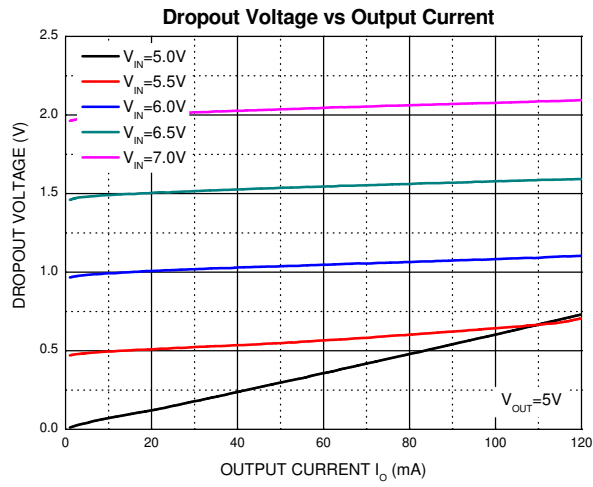
Suggested Solder Pad Layout



Typical Characteristics



Typical Characteristics





Ordering Information :

Device	Packing
Part Number-TP	Tape & Reel; 1Kpcs/Reel

Note : Adding "-HF" suffix for halogen free, eg. Part Number-TP-HF

IMPORTANT NOTICE

Micro Commercial Components Corp. reserves the right to make changes without further notice to any product herein to make corrections, modifications, enhancements, improvements, or other changes. **Micro Commercial Components Corp.** does not assume any liability arising out of the application or use of any product described herein; neither does it convey any license under its patent rights, nor the rights of others. The user of products in such applications shall assume all risks of such use and will agree to hold **Micro Commercial Components Corp.** and all the companies whose products are represented on our website, harmless against all damages.

LIFE SUPPORT

MCC's products are not authorized for use as critical components in life support devices or systems without the express written approval of Micro Commercial Components Corporation.

CUSTOMER AWARENESS

Counterfeiting of semiconductor parts is a growing problem in the industry. Micro Commercial Components (MCC) is taking strong measures to protect ourselves and our customers from the proliferation of counterfeit parts. MCC strongly encourages customers to purchase MCC parts either directly from MCC or from Authorized MCC Distributors who are listed by country on our web page cited below. Products customers buy either from MCC directly or from Authorized MCC Distributors are genuine parts, have full traceability, meet MCC's quality standards for handling and storage. **MCC will not provide any warranty coverage or other assistance for parts bought from Unauthorized Sources.** MCC is committed to combat this global problem and encourage our customers to do their part in stopping this practice by buying direct or from authorized distributors.

www.mccsemi.com