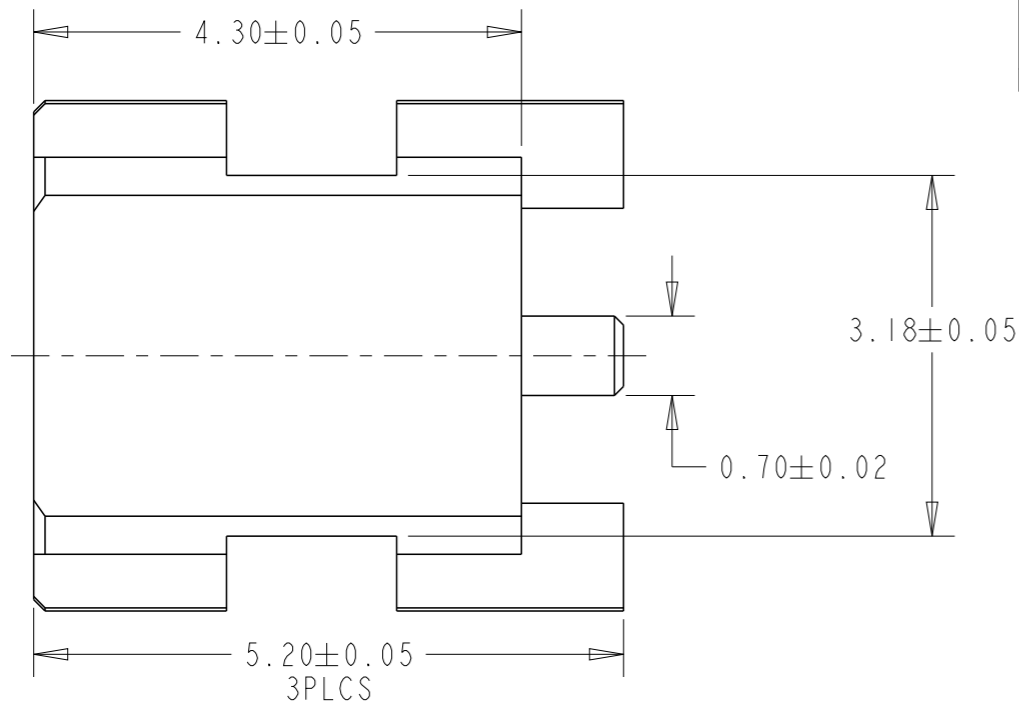
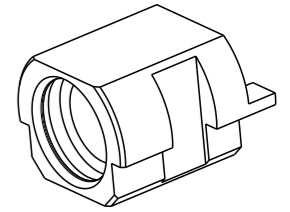
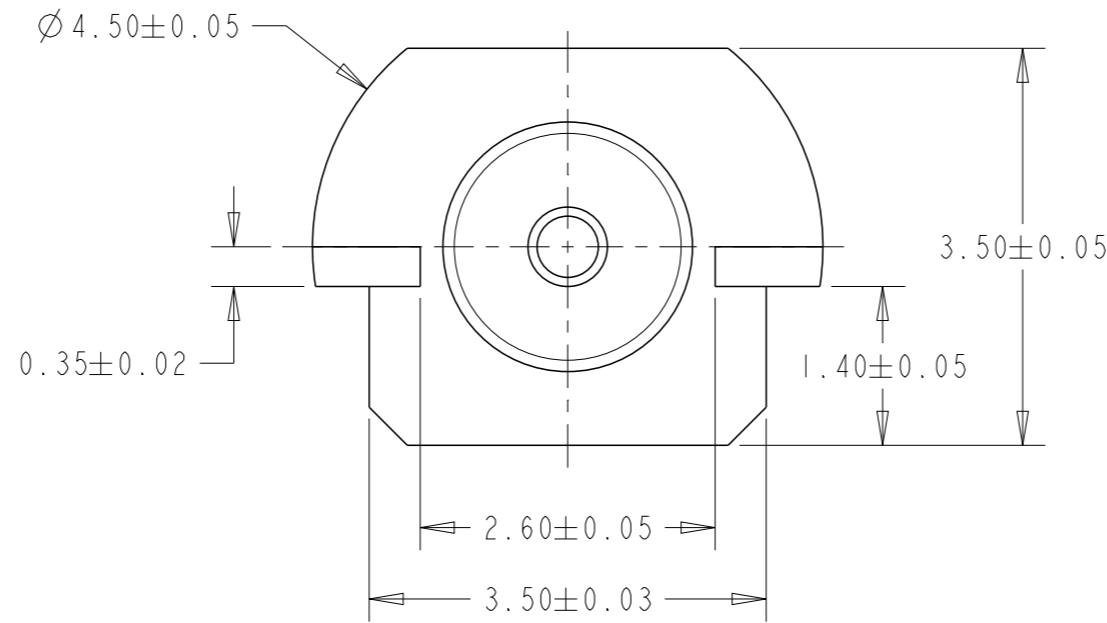
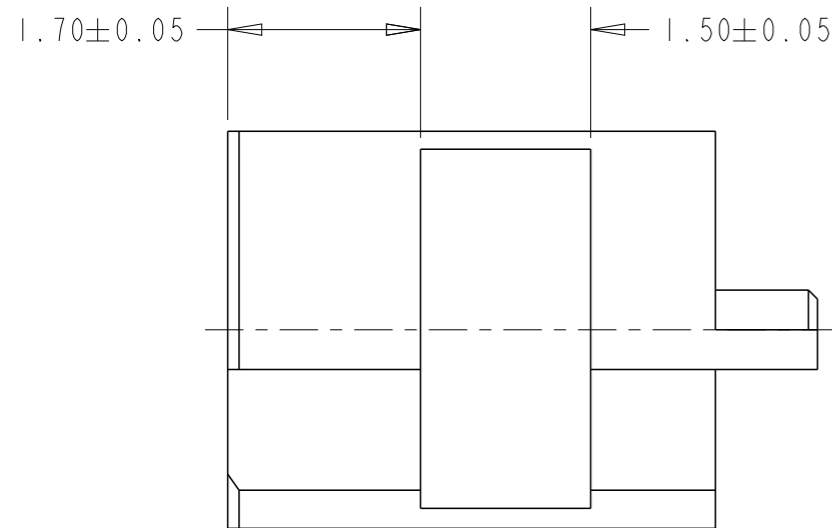


P	LTR	DESCRIPTION	DATE	DWN	APVD
	A	REVISED PER ECN-22-158649	13JUN2022	RZ	WK
	AI	REVISED PER ECR-23-166588	28FEB2023	ED	WH



QTY REQD PER ASSY	REVISION OF EACH ASSY NO(WHEN BLANK, USE DWG REVISION)	PARTS LIST
	I /	PTFE INSULATOR 3
	I Au 0.03um MIN	BeCu CENTER CONTACT 2
	I Au 0.03um MIN	BRASS BODY 1
	- I PLATING	MATERIAL DESCRIPTION ITEM

ELECTRICAL	MECHANICAL	ENVIRONMENTAL
IMPEDANCE (OHM) 50 FREQUENCY RANGE (GHZ) DC TO 6 VOLTAGE RATING (PEAK) SEA LEVEL 170 VRMS INSULATION RESISTANCE (MIN) 1000 MOHMS CONTACT RESISTANCE (MILLIOHMS MAX) CENTER CONTACT 5.0 OUTER CONTACT 2.0 DIELECTRIC WITHSTAND VOLTAGE (MIN) 500 VRMS INSERTION LOSS 0.06*SQRT(F) dB VSWR 1.25 MAX RF LEAKAGE -60dB MIN	INTERFACE DIMENSION MIL-STD-348B BS 122340: 2002 MATING CHARACTERISTICS INSERTION (MAX N) 5 WITHDRAWAL (MIN N) 0.28 FORCE TO ENGAGE AND DISENGAGE ENGAGE 15N MAX DISENGAGE 6N MIN CENTER CONTACT CAPTIVATION AXIAL(N) 10 RADIAL(N.m) N/A CABLE RETENTION AXIAL(N) N/A RADIAL(N.m) N/A MATING CYCLES 500 CYCLES MIN	TEMPERATURE RANGE -55°C TO +155°C THERMAL SHOCK MIL-STD-202, METH.107, COND.B CORROSION MIL-STD-202, METH.101, COND.B VIBRATION MIL-STD-202, METH.204, COND.B SHOCK MIL-STD-202, METH.213, COND.A MOISTURE RESISTANCE MIL-STD-202, METH.106. ROHS COMPLIANT

THIS DRAWING IS A CONTROLLED DOCUMENT.

DIMENSIONS:	TOLERANCES UNLESS OTHERWISE SPECIFIED:
mm	
	0 PLC ±-
	1 PLC ±0.1
	2 PLC ±0.01
	3 PLC ±0.001
	4 PLC ±0.0001
	ANGLES ±5
MATERIAL	FINISH
-	-

DWN	10SEP2019
RANDY Z	
CHK	10SEP2019
ERIC D	
APVD	10SEP2019
WENKE H	
PRODUCT SPEC	
APPLICATION SPEC	
WEIGHT	-
CUSTOMER DRAWING	

TE TE Connectivity	
NAME MMCX JACK ST EDGE MOUNT RECEPTACLE	
SIZE	CAGE CODE
A3	00779
DRAWING NO	RESTRICTED TO
C-2409299	-
SCALE	SHEET
15:1	1 OF 1
REV	AI