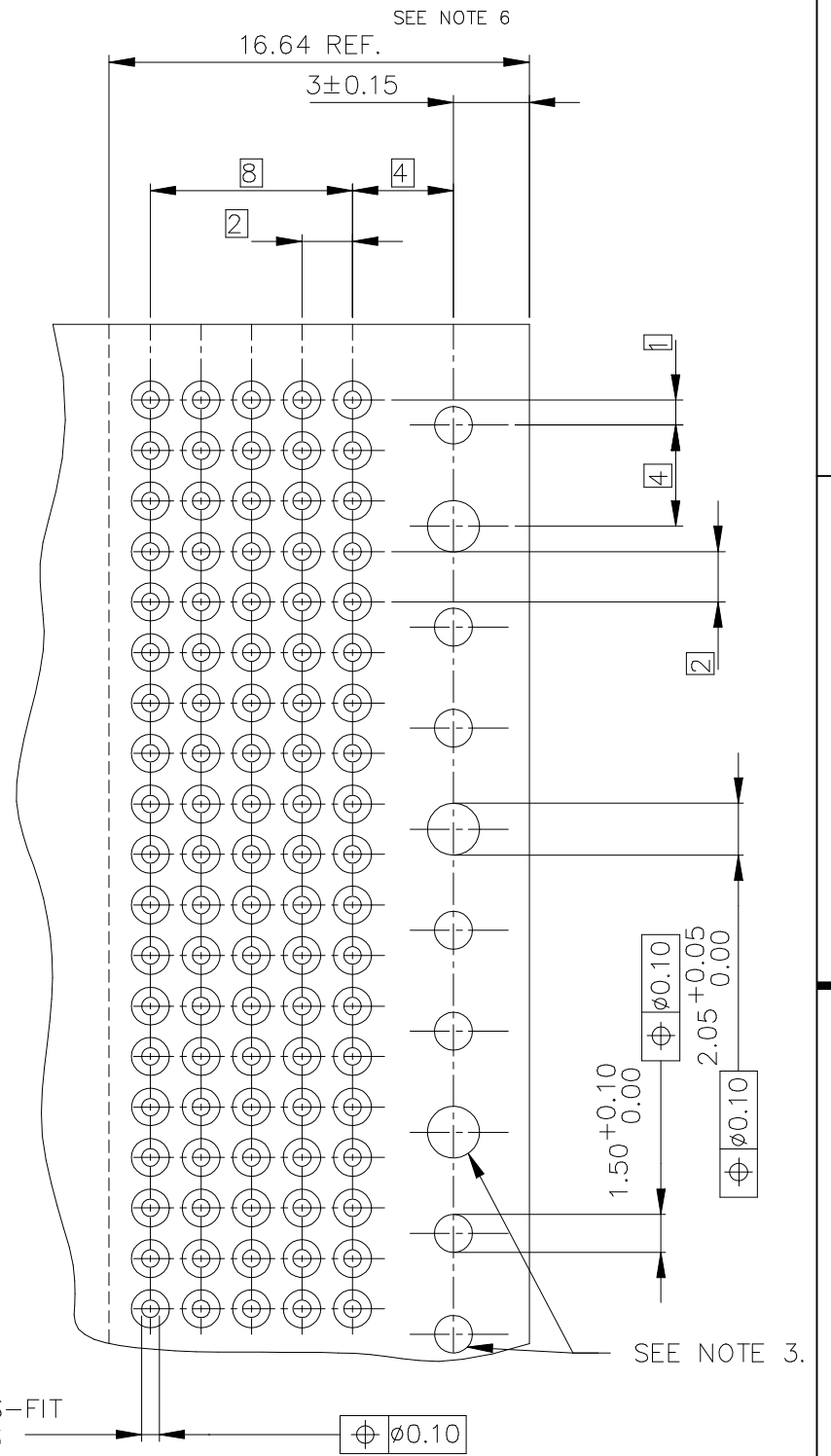
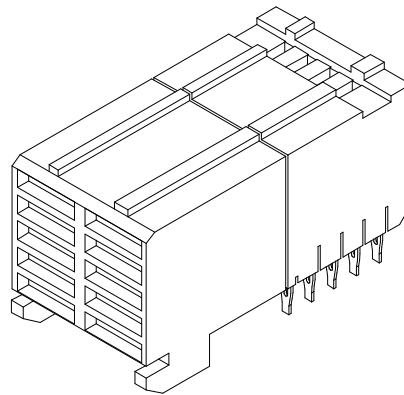
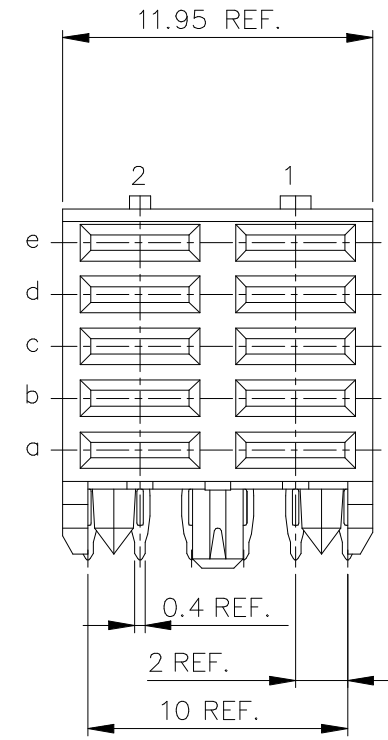
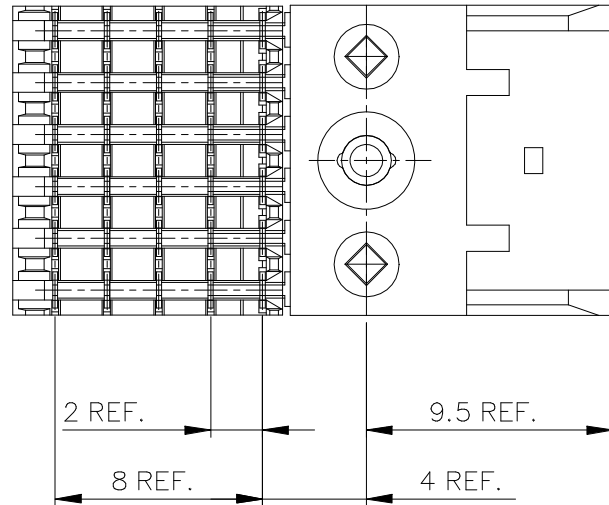
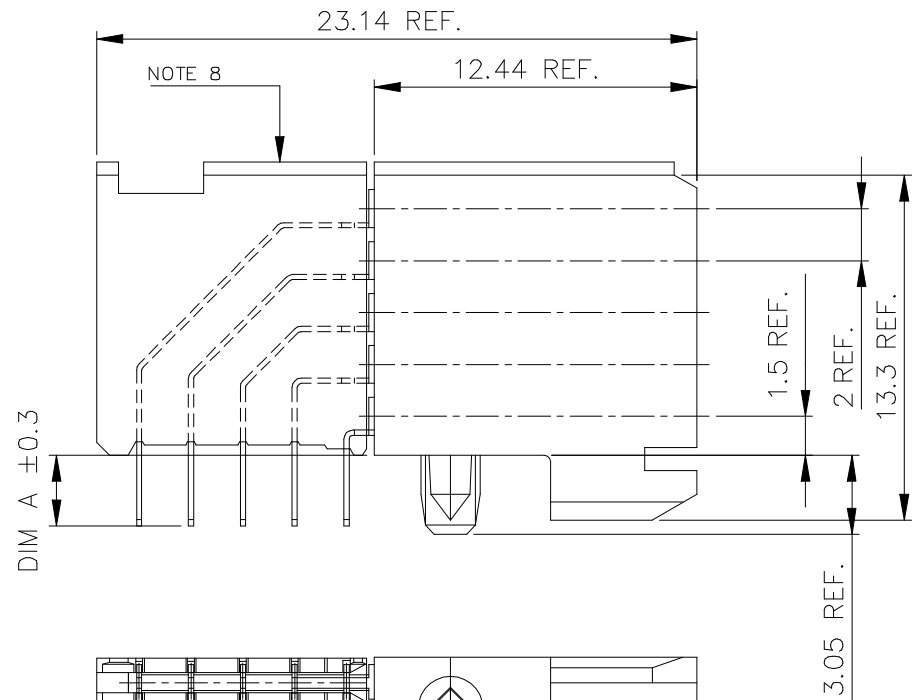


PC BOARD VERSIONS		
PRODUCT NR	PCB THICKNESS	DIM A
89096-X02	1.6	2.90
89096-X12	2.4	3.53
89096-X02LF	1.6	2.90
89096-X12LF	2.4	3.53

PRESS-FIT HOLES	
HOLE DIAMETER	
AFTER PLATING	0.65-0.80
DRILLED HOLE	0.81-0.86
COPPER PLATING	0.025 MIN.
SnPb PLATING	0.005-0.015



- NOTES:
- BODY MAT'L: LIQUID CRYSTAL POLYMER 30% GLASS
FLAME RETARDANT ACC. UL 94-V0
 - TERMINAL MATERIAL: PHOSPHOR BRONZE.
 - INDICATED HOLES ARE UNPLATED.
 - PLATING OF COMPLIANT SECTIONS 0.5-1.5 um SnPb 85-97
IF THE PART NUMBER WAS ADDED A SUFFIX "LF", SO THE
PLATING OF COMPLIANT SECTIONS 0.5-1.5 um PURE Sn.
 - PRODUCT MARKING: PART NUMBER & BATCH ID.
 - SET BACK FOR PRESS BLOCK
 - SEE TA-941 FOR -XY2 APPLICATION TOOLING
 - TOP SURFACE OF PRESS BLOCK MAY EXTEND UP TO 0.4MM
HIGHER THAN HOUSING. THIS MAY AFFECT THE TAIL LENGTH
BEFORE APPLICATION TO A BOARD.
 - CURRENT RATING: 3 AMP PER PIN.
 - THIS PRODUCT MEETS EUROPEAN UNION DIRECTIVES AND OTHER
COUNTRY REGULATIONS AS DESCRIBED IN GS-22-008.
 - THE HOUSING WILL WITHSTAND EXPOSURE TO 260 DEGREE PEAK
TEMPERATURE FOR 10 SECOND IN A WAVE SOLDER APPLICATION.
 - FOR THE PRODUCT WITH 30u" GOLD PLATING IN TERMINAL,
THEY CAN BE REPLACED BY 30 GXT PLATING.

PLATING CONTACT AREA:	
DASH NR:	PERFORMANCE LEVEL
-1YY	TELCORDIA CO
-2YY	CUSTOMER SPECIAL
-3YY	CUSTOMER SPECIAL
-9YY	TELCORDIA CO
-1YYLF	TELCORDIA CO
-2YYLF	CUSTOMER SPECIAL
-3YYLF	CUSTOMER SPECIAL
-9YYLF	TELCORDIA CO

mat'l. code				surface ISO 1302 ✓		tolerance ISO 406 ISO 1101		projection		product family METRAL (tm)	
ltr ecn no dr date				tolerances unless otherwise specified		angles linear		MM		title	
F	DG04-0066	CLu	041201							RA PF 12mm ASSEMBLY	
G	DG07-0458	Cenh	11/15/07							sheet 1 of 1 size	
H	DG08-0171	TER	8/21/08							89096 A3	
J	ELX-N-21776	Nick	8/26/15	dr	H v Woensel	931004		Amphenol FCI		type Product Customer Drawing	
K	ELX-N-26608	MZ	3/28/17	enr	H v Woensel	931004					
				chr	E Feijen	931004					
				appd	H v Woensel	931004					
sheet index		revision sheet		k 1							