

Type MOCBM-PL Modified Reset Circuit Breaker Automotive Type II Regular Automotive Blade Type



www.optifuse.com (619) 593-5050

Specifications:

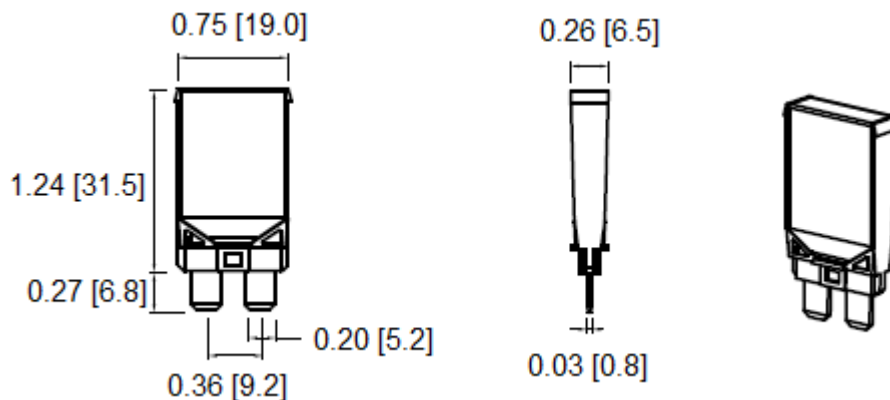
- Modified Reset Type Circuit Breaker – Regular Auto Blade Style
- Voltage: Up to 14V DC
- Amperage: 5A, 7.5A, 10A, 15A, 20A, 25A, 30A
- Body: PBT and the cover is anodized aluminum (silver colored)
- Conforms to American National Standard SAE J553
- Operating Temperature: -40° C ~ 85° C

Ampere Rated	Interrupt Rating
5A-10A version	150A @ 14 VDC
15A version	225A @ 14 VDC
20A version	300A @ 14 VDC
25A-30A version	450A @ 14 VDC

Current Rating:

Rating	Open Time
100% ± 1.5%	> 30 Min
135% ± 1.5%	< 30 Min
200% ± 1.5%	< 1 Min

Mechanical Dimensions: Inches [mm]



Warning:



-Operation beyond the specified maximum ratings or improper use may result in damage and possible electrical arcing and/or flame.
 -Device is intended for occasional overcurrent protection. Application for repeated overcurrent condition and/or prolonged trip are not anticipated.
 -Avoid contact of device with chemical solvent. Prolonged contact may damage the device performance.