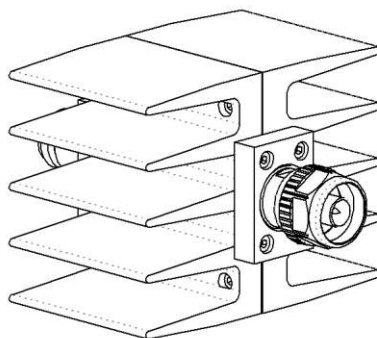
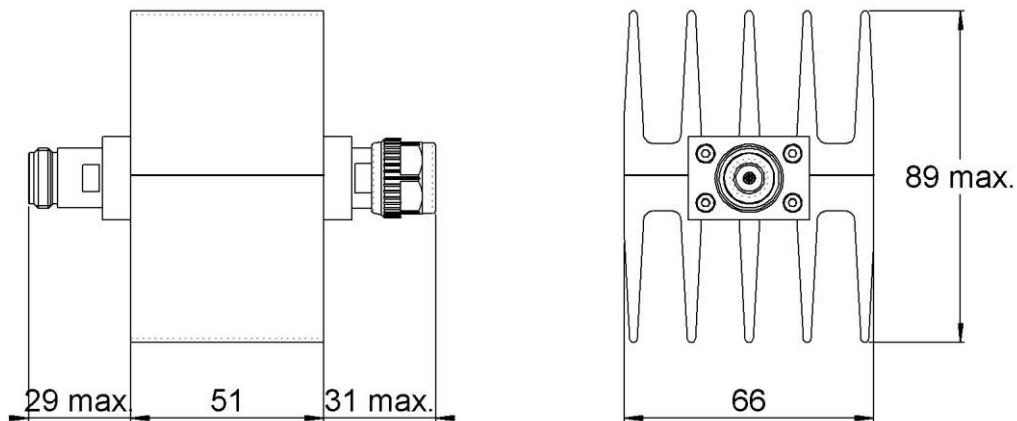
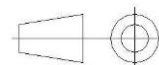


| | | | |
|----------|-----------------|-----------------------------|-------------------------------|
| PAGE 1/2 | ISSUE 10-03-16B | SERIES ATTENUATOR | PART NUMBER R417006110 |
|----------|-----------------|-----------------------------|-------------------------------|

SCALE 1 : 2



All dimensions are in mm.



| COMPONENTS | MATERIALS | PLATING (µm) |
|-----------------------|-------------------------|--|
| Body | STAINLESS STEEL | PASSIVATED |
| Male center contact | BERYLLIUM COPPER | GOLD 0.5 OVER NICKEL PHOSPHORUS 2 |
| Female center contact | BERYLLIUM COPPER | GOLD 0.5 OVER NICKEL PHOSPHORUS 2 |
| Outer contact | - | - |
| Insulator | PTFE | |
| Gasket | SILICONE RUBBER | |
| Substrate | ALUMINA | |
| Resistor | THICK FILM | |
| Others parts | ALUMINIUM | BLACK PAINTING |

| | | | |
|----------|------------------------|-----------------------------|-------------------------------|
| PAGE 2/2 | ISSUE 10-03-16B | SERIES ATTENUATOR | PART NUMBER R417006110 |
|----------|------------------------|-----------------------------|-------------------------------|

ELECTRICAL CHARACTERISTICS

| Frequency (GHz) | DC - 1 | 1 -2 | 2 -3 |
|-----------------|---------------|-------------|-------------|
| V.S.W.R (≤) | 1.10 | 1.25 | 1.35 |
| Deviation(±dB) | 0.70 | 0.70 | 0.70 |

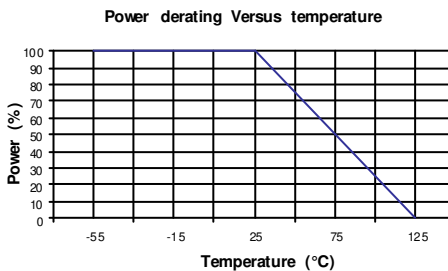
| | | |
|------------------------------|-------------------|-----------------------|
| Operating Frequency Range | DC - 3 GHz | GHz |
| Impedance | 50 | Ω |
| Nominal Attenuation | 6 | dB |
| Peak power at 25°C (1μs, 1%) | 5000 | W |
| Average power at 25°C | 50 | W (Free Air Cooled) |
| | | W (Conduction Cooled) |

MECHANICAL CHARACTERISTICS

| | | | |
|------------|-----------------|--------------------|-------------------|
| Connectors | N | Male Female | MIL C39012 |
| Weight | 431,8200 | g | |

ENVIRONMENTAL CHARACTERISTICS

| | | |
|-----------------------------|------------------|----|
| Operating temperature range | -55 /+125 | °C |
| Storage temperature range | -55 /+125 | °C |



SPECIFICATION

OTHER CHARACTERISTICS