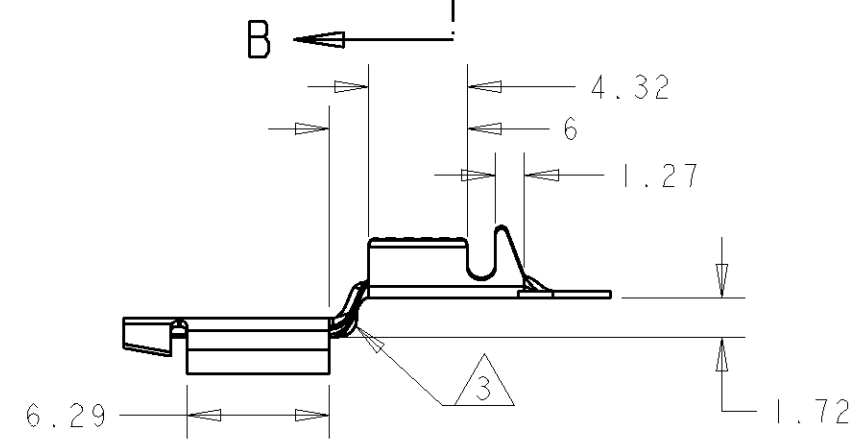
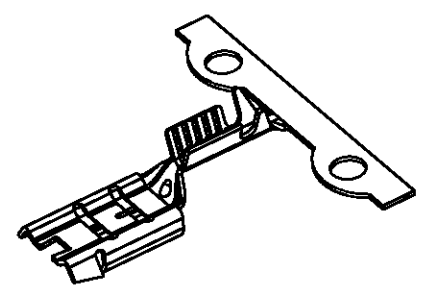
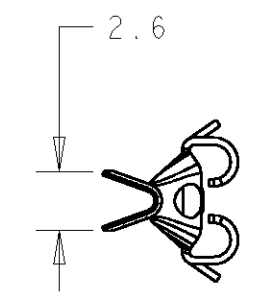
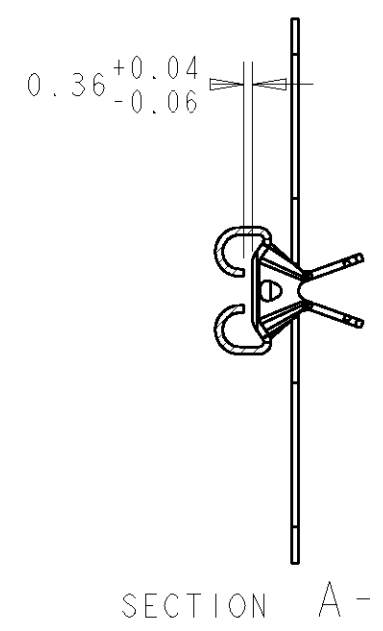
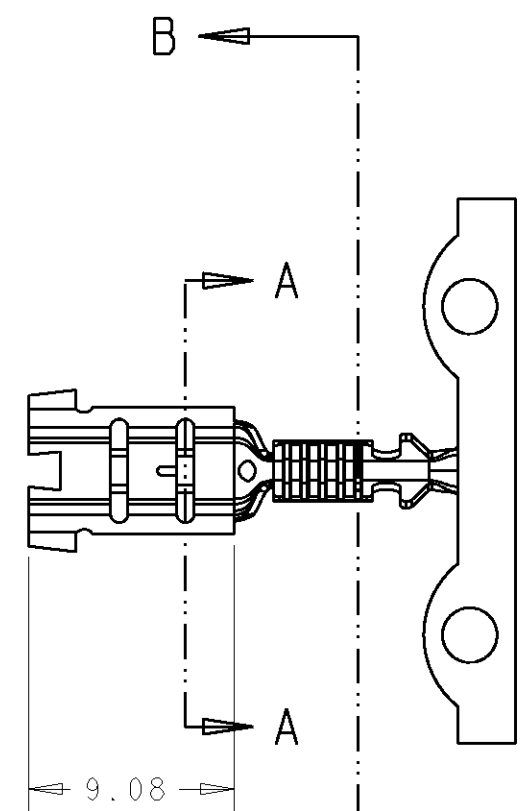
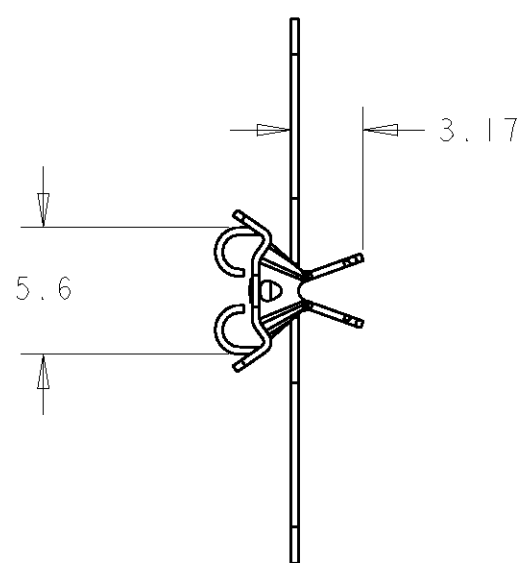


THIS DRAWING IS UNPUBLISHED. RELEASED FOR PUBLICATION 20
 © COPYRIGHT 20 BY TYCO ELECTRONICS CORPORATION. ALL RIGHTS RESERVED.

LOC	DIST	REVISIONS					
E	B	P	LTR	DESCRIPTION	DATE	DWN	APVD
			K	EB00-0433-98	17/08/98	MJH	JB
			L	EBD0-0093-05	23/02/05	MJG	JA
			M	EBD0-0129-05	16/03/05	MJG	JA



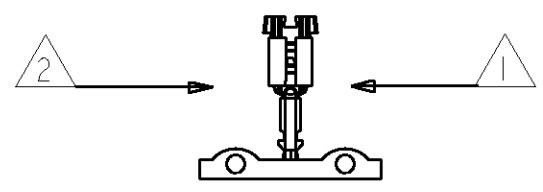
NOTES:

- 1 REELING DIRECTION FOR 341333-1 & -3
- 2 REELING DIRECTION FOR 341333-2
- 3 341333-3 PRODUCED WITHOUT STRENGTHENING RIB
- 4. LOOSE PIECE PART NO 346099
- 5. FOR DETAILS ON CAVITY SEE DRAWING SP 8471

LOOSE PIECE PT NO	RIB	REELING	FINISH	MATERIAL	PART NO
	3	1	NONE	BRASS	341333-3
		2	NONE	BRASS	341333-2
346099-1		1	NONE	BRASS	341333-1

REELING DETAILS:

DIRECTION OFF TOP OF REEL
 RECEPTACLE UP, BARRELS DOWN



THIS DRAWING IS A CONTROLLED DOCUMENT FOR TYCO ELECTRONICS CORPORATION IT IS SUBJECT TO CHANGE AND THE CONTROLLING ENGINEERING ORGANIZATION SHOULD BE CONTACTED FOR THE LATEST REVISION.

DIMENSIONS: mm	TOLERANCES UNLESS OTHERWISE SPECIFIED: 0 PLC ±- 1 PLC ±0.5 2 PLC ±0.5 3 PLC ±0.5 4 PLC ±- ANGLES ±2	DWN 23FEB2005 M.GREENER CHK 23FEB2005 J.AMBROSE APVD 23FEB2005 F.WHEFLER-KING	Tyco Electronics UK Ltd, Bideford, Devon. EX39 4HE	
MATERIAL SEE TABLE	FINISH SEE TABLE	PRODUCT SPEC -	NAME STATOR TERMINAL 4.75 SERIES	
		APPLICATION SPEC -	SIZE A3	CAGE CODE 00779
		WEIGHT -	DRAWING NO C-341333	RESTRICTED TO -
		CUSTOMER DRAWING	SCALE 2:1	SHEET 1 OF 1 REV M