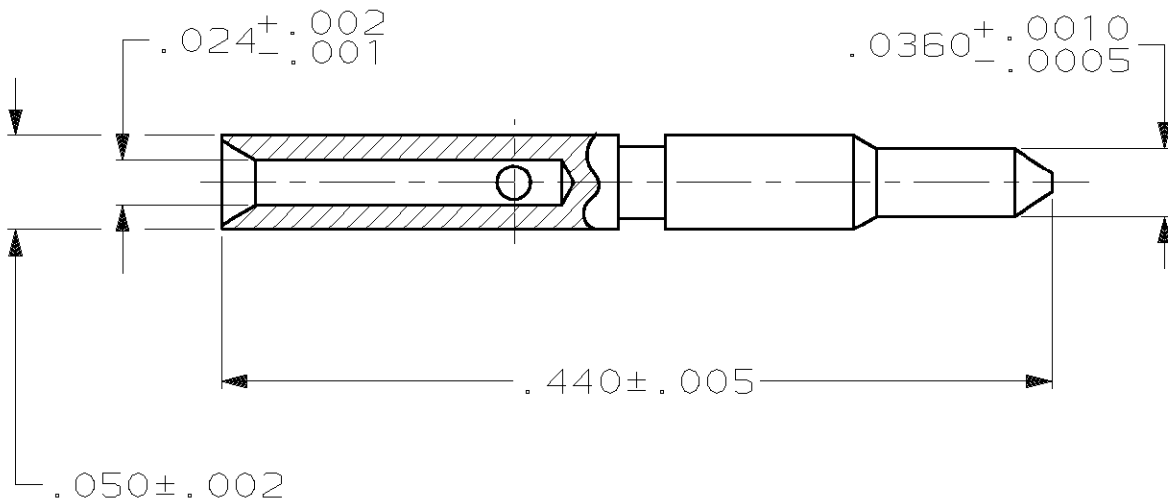




LOC AJ	DIST 16	P	F	REVISIONS			
				LTR	DESCRIPTION	DATE	APPROVED
				A	REV PER OU20-0171-99	10NOV99	MO



THIS DRAWING IS UNPUBLISHED. RELEASED FOR PUBLICATION BY AMP INCORPORATED. ALL INTERNATIONAL RIGHTS RESERVED. © COPYRIGHT 19

447869-2  
PART NUMBER

DO NOT SCALE PRINT. UNLESS SPECIFIED DIMENSIONS IN INCHES TOLERANCES ON:  
 2 PLC DEC ± -  
 3 PLC DEC ± -  
 ANGLES ± -

MATERIAL  
 BRASS  
 PER QQ-B-626

FINISH  
 GOLD  
 PER MIL-G-45204

DR 5-10-91  
 M.E.PASTAL

CHK -  
 APPD -  
 APPD -  
 PRODUCT SPEC -  
 APPLICATION SPEC -  
 WEIGHT -

**AMP** AMP Incorporated  
 Harrisburg, PA 17105-3608

NAME  
 CONTACT, PLUG, SMA

SIZE A	CAGE CODE 00779	DRAWING NO 447869-2
SCALE 10:1	SHEET 1 OF 1	

