

4

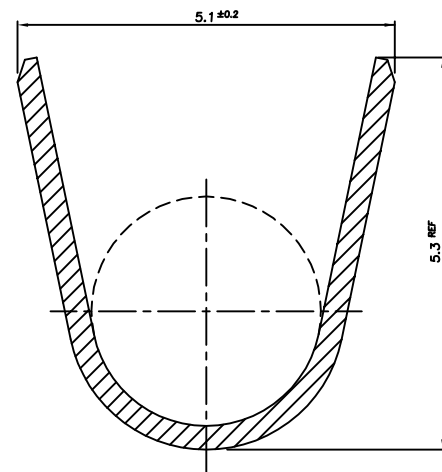
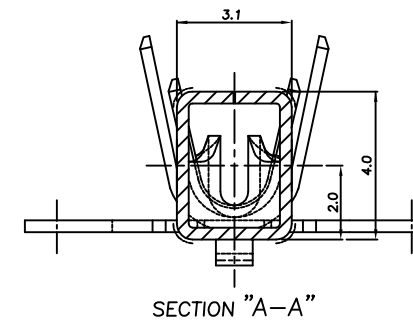
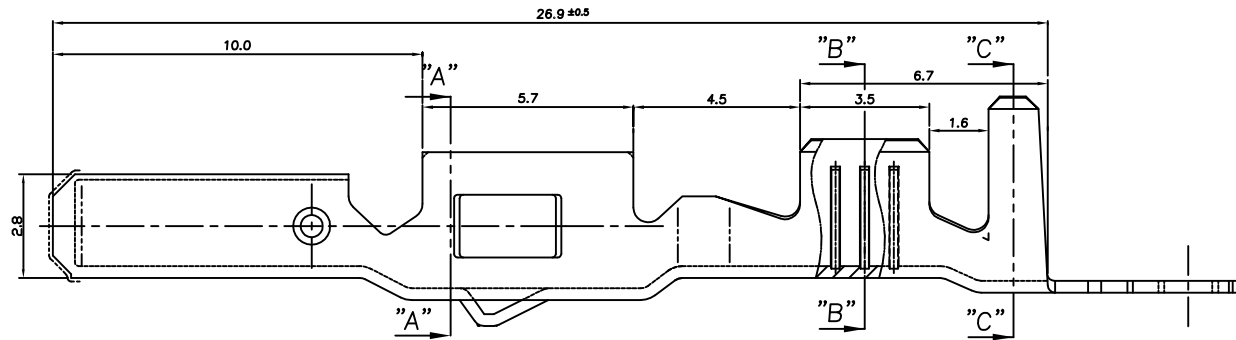
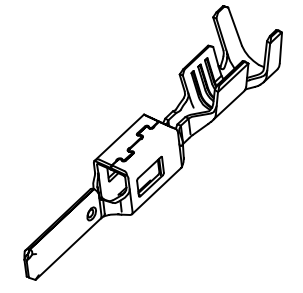
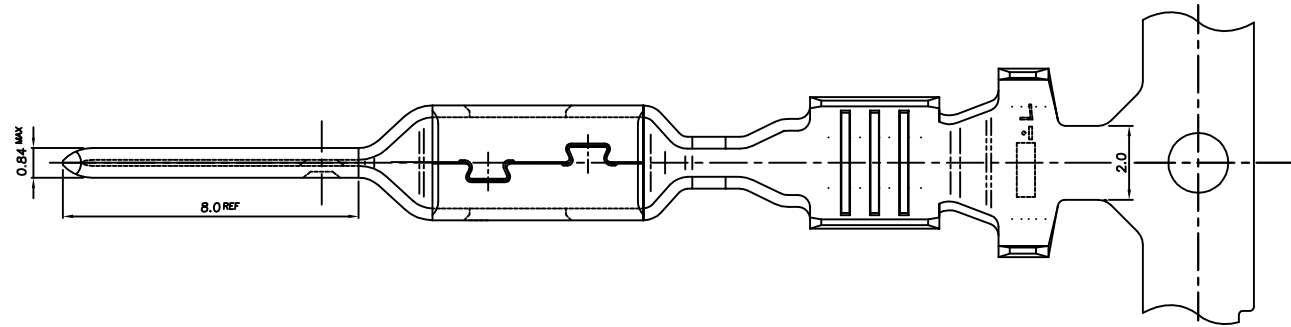
3

2

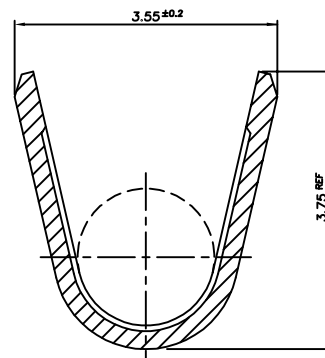
1

THIS DRAWING IS UNPUBLISHED. RELEASED FOR PUBLICATION  
COPYRIGHT BY TYCO ELECTRONICS CORPORATION. ALL RIGHTS RESERVED.

LOC	DIST	REVISIONS					
		P	LTR	DESCRIPTION	DATE	DWN	APVD
DS	-		A1	REVISED (ECR-11-005815)	22.MAR.'11	KT	HG



SECTION "C-C"  
Scale 20/1

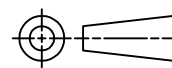


SECTION "B-B"  
Scale 20/1

NOTE;  
1. WIRE SIZE EQUIV 1.5 ~ 2.5SQ  
APPLICATION SPEC: 114-61033

THIS DRAWING IS A CONTROLLED DOCUMENT FOR TYCO ELECTRONICS CORPORATION  
IT IS SUBJECT TO CHANGE AND THE CONTROLLING ENGINEERING ORGANIZATION  
SHOULD BE CONTACTED FOR THE LATEST REVISION.

DIMENSIONS: MM	TOLERANCES UNLESS OTHERWISE SPECIFIED: 0 <XX<10 ± 0.25 10<XX<30 ± 0.3 ANGLES ± 3°
MATERIAL SEE TABLE	FINISH SEE TABLE



PRE-TINNED	BRASS 0.32THK.	1743425-1
FINISH	MATERIAL	PART NO
DWN KT JUNG CHK KT LIM	TE Connectivity	
APVD HG CHD PRODUCT SPEC		
APPLICATION SPEC 114-61033	NAME 2.8mm MCP-E NON-SEALED TAB CONTACT (L)	
WEIGHT	SIZE A3	CAGE CODE 00779
CUSTOMER DRAWING	DRAWING NO C-1743425	RESTRICTED TO -
SCALE 5/1		SHEET 1 OF 1
		REV A1