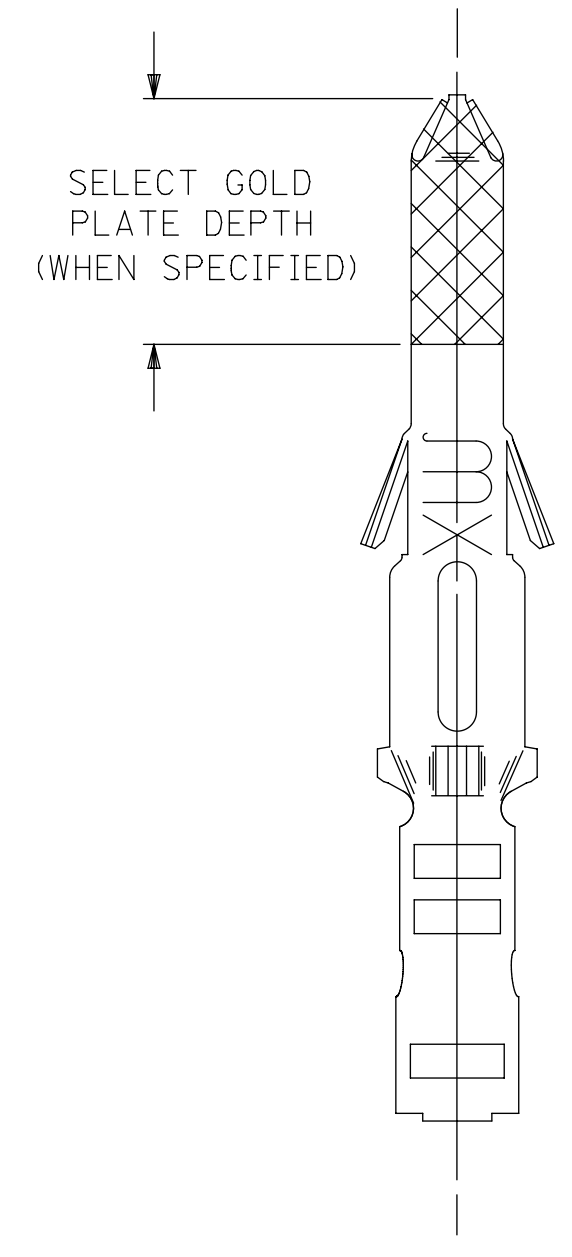
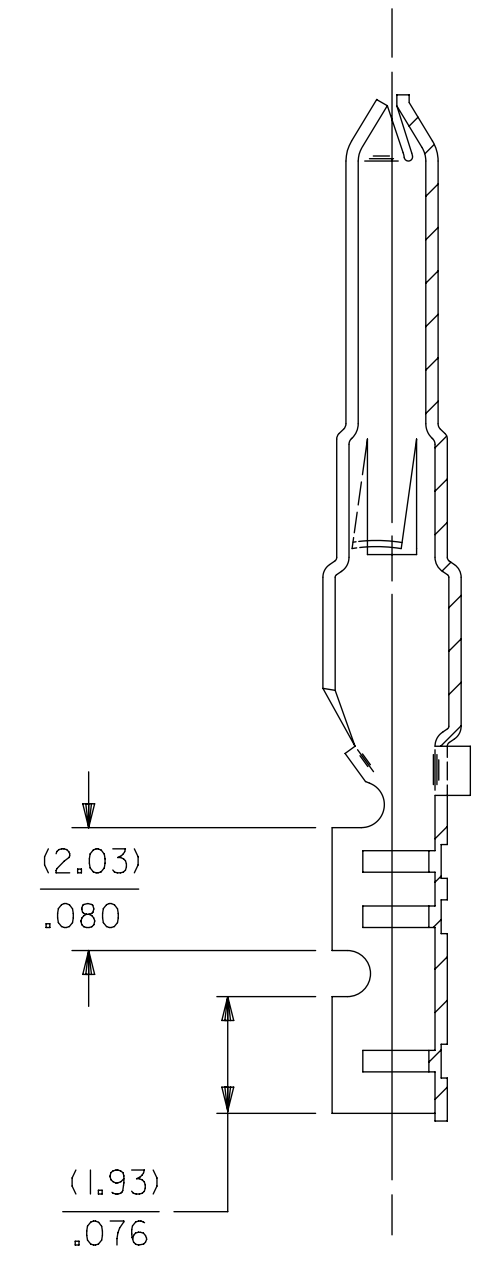
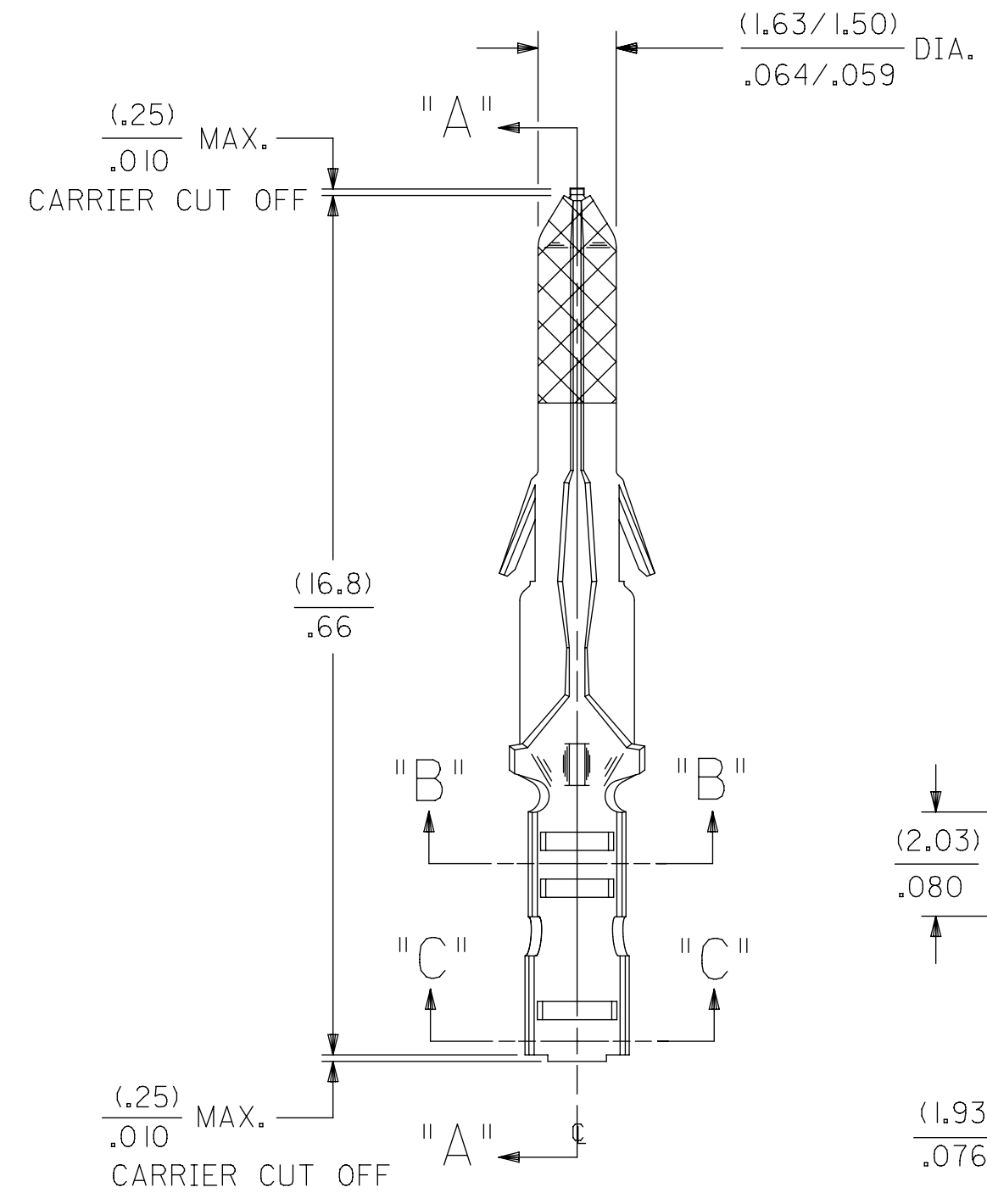
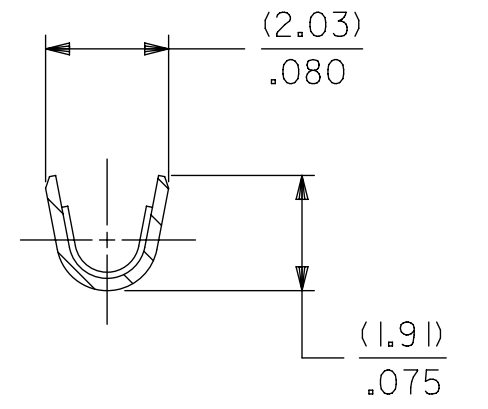
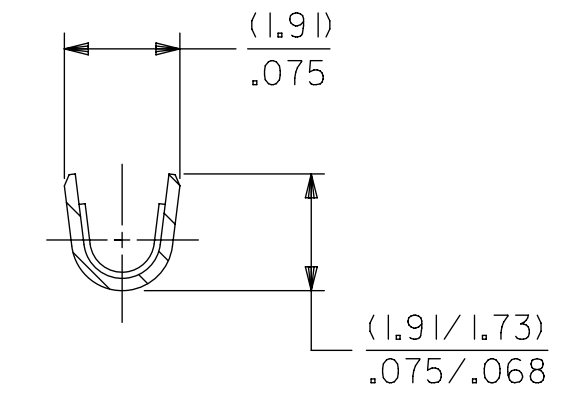
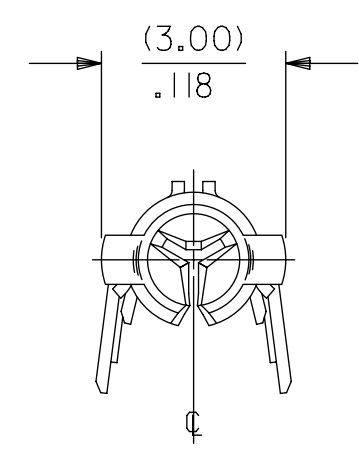
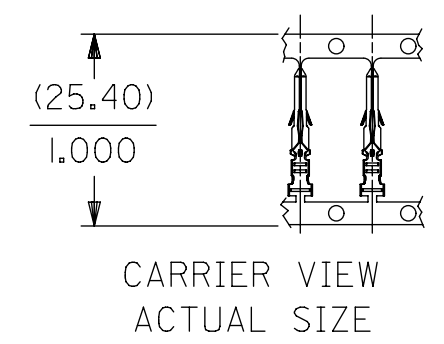


PART NO.	ENG. NO.
02-06-2131	1854-(90 I)
02-06-2132	1854-(90 I)L
02-06-6138	1854-(56 I)
02-06-6139	1854-(56 I)L
02-06-6130	1854-(550)
02-06-6135	1854-(550)L
02-06-6143	1854-(228)
02-06-6144	1854-(228)L



LEGEND

1854-(****)*

P=PREPLATE FORM
BLANK=POSTPLATE BLANK=CHAIN
FINISH CODE L=LOOSE

- NOTES:
- MATERIAL: BRASS
 - FINISHES:
 - 901 HOT TIN DIP (.00051)/.000020 MIN.
 - 228 SELECT GOLD PLATE (.00075)/.000030 MIN. IN CONTACT AREA, SELECT TIN (.00250)/.000100 MIN. IN CRIMP AREA OVER (.00125)/.000050 MIN. NICKEL OVERALL
 - 561 SELECT GOLD PLATE (.00076)/.000030 MIN. IN CONTACT AREA, (.00127)/.000050 MIN. NICKEL OVERALL.
 - 550 SELECT GOLD PLATE (.00038)/.000015 MIN. IN CONTACT AREA, OVER (.00076)/.000030 MIN. NICKEL OVERALL WITH (.00025)/.000010 MAX. GOLD FLASH OVERALL.
 - PRODUCT SPECIFICATION: PS-02-06
 - PACKAGE INFORMATION:
 - LOOSE TERMINALS: PK-1190-003
 - CHAIN TERMINALS: 18540000-PK
 - TERMINAL FOR USE WITH (1.57)/.062 DIA. SERIES HOUSINGS AND WILL ACCEPT 24 THRU 30 AWG WIRE WITH (1.02/2.29)/.040/.090 INSULATION DIAMETER.

THIS DRAWING CONTAINS INFORMATION THAT IS PROPRIETARY TO MOLEX ELECTRONIC TECHNOLOGIES, LLC AND SHOULD NOT BE USED WITHOUT WRITTEN PERMISSION									
SYMBOLS		DIMENSION UNITS		SCALE		CURRENT REV DESC: REMOVE OBSOLETE			
▽ = 0	MM/INCH	8:1				EC NO: 632666			
▽ = 0	GENERAL TOLERANCES (UNLESS SPECIFIED)					DRWN: MKIPPER 2020/02/25			
▽ = 0			MM	INCH			CHK'D: DSTEIER 2020/02/26		
▽ = 0	4 PLACES	±		±		APPR: FSMITH 2020/06/05			
▽ = 0	3 PLACES	±		±	0.01	INITIAL REVISION:			
▽ = 0	2 PLACES	±	0.25	±	0.014	DRWN: RFC_PLMIMP 2018/12/01		2020/02/26	
▽ = 0	1 PLACE	±	0.35	±		APPR: JCOMERCI 2001/10/22		2020/06/05	
▽ = 0	0 PLACES	±		±		ANGULAR TOL ± 0.5 °		THIRD ANGLE PROJECTION	
▽ = 0	DRAFT WHERE APPLICABLE MUST REMAIN WITHIN DIMENSIONS					DRAWING		SERIES	
▽ = 0					C-SIZE		1854		
DOCUMENT STATUS		P1	RELEASE DATE	2020/06/05	20:49:09	MATERIAL NUMBER		CUSTOMER	
						SEE CHART		GENERAL MARKET	
						DOCUMENT NUMBER		DOC TYPE DOC PART REVISION	
						SD-1854-X		PSD 001 AR1	
						SHEET NUMBER		1 OF 1	