

4

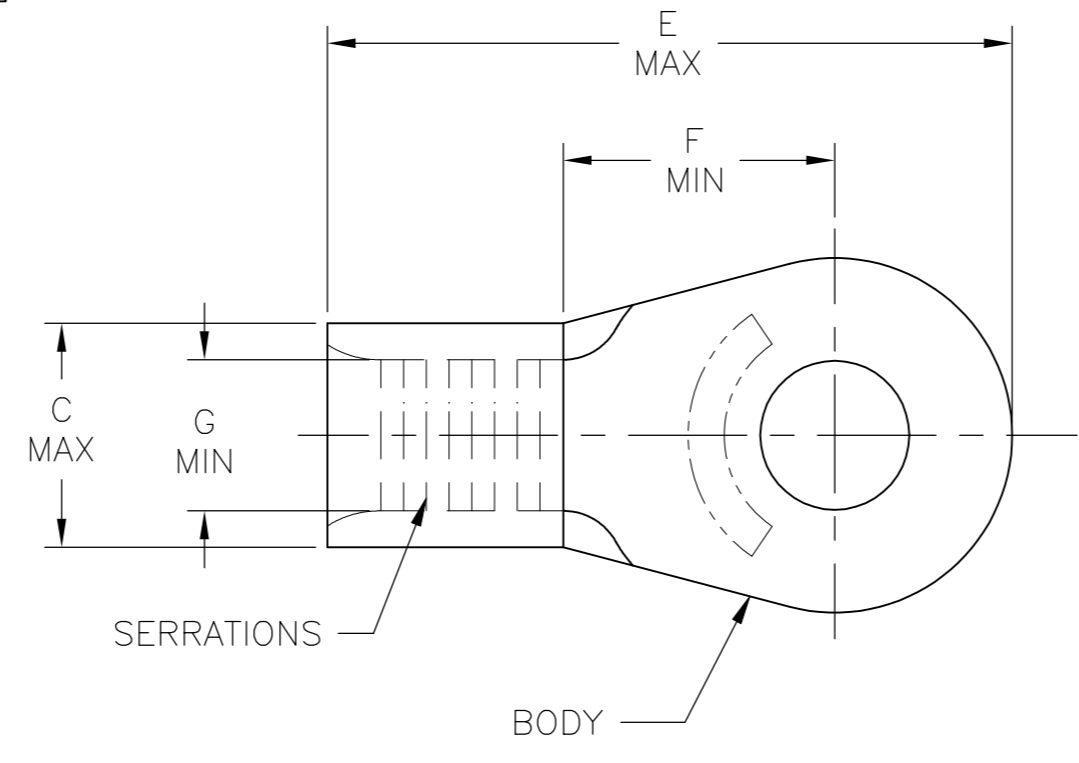
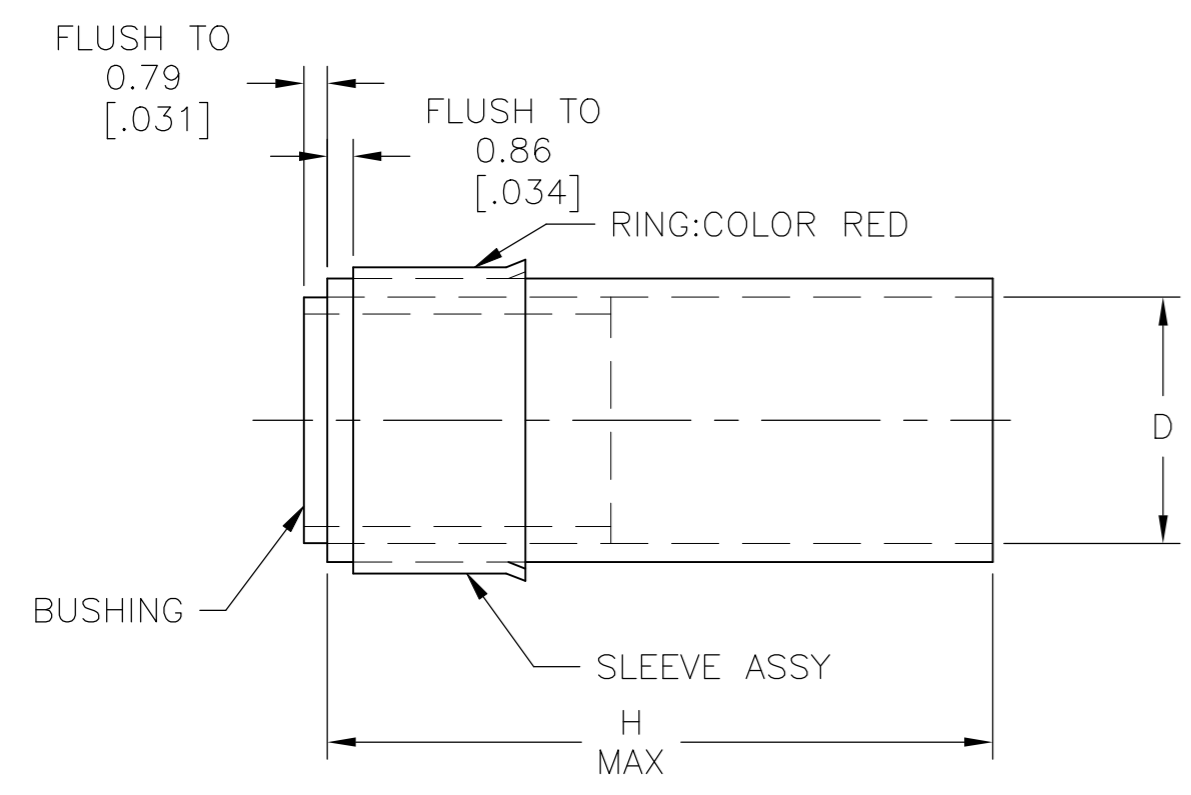
3

2

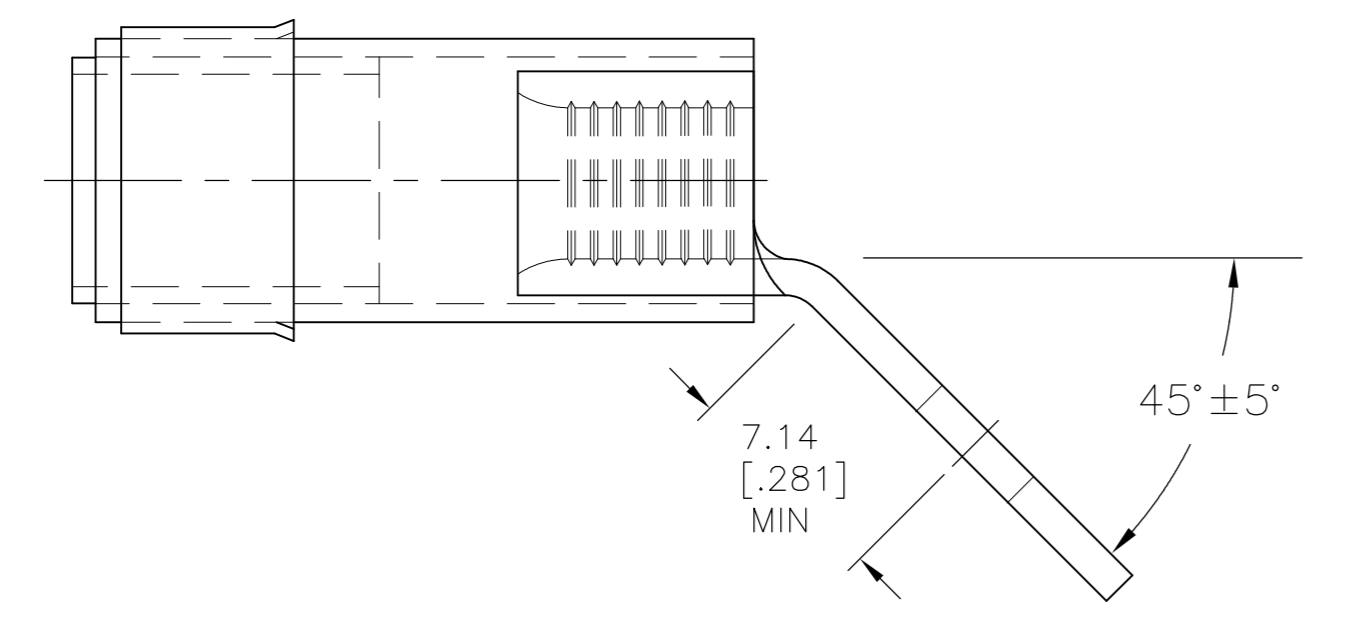
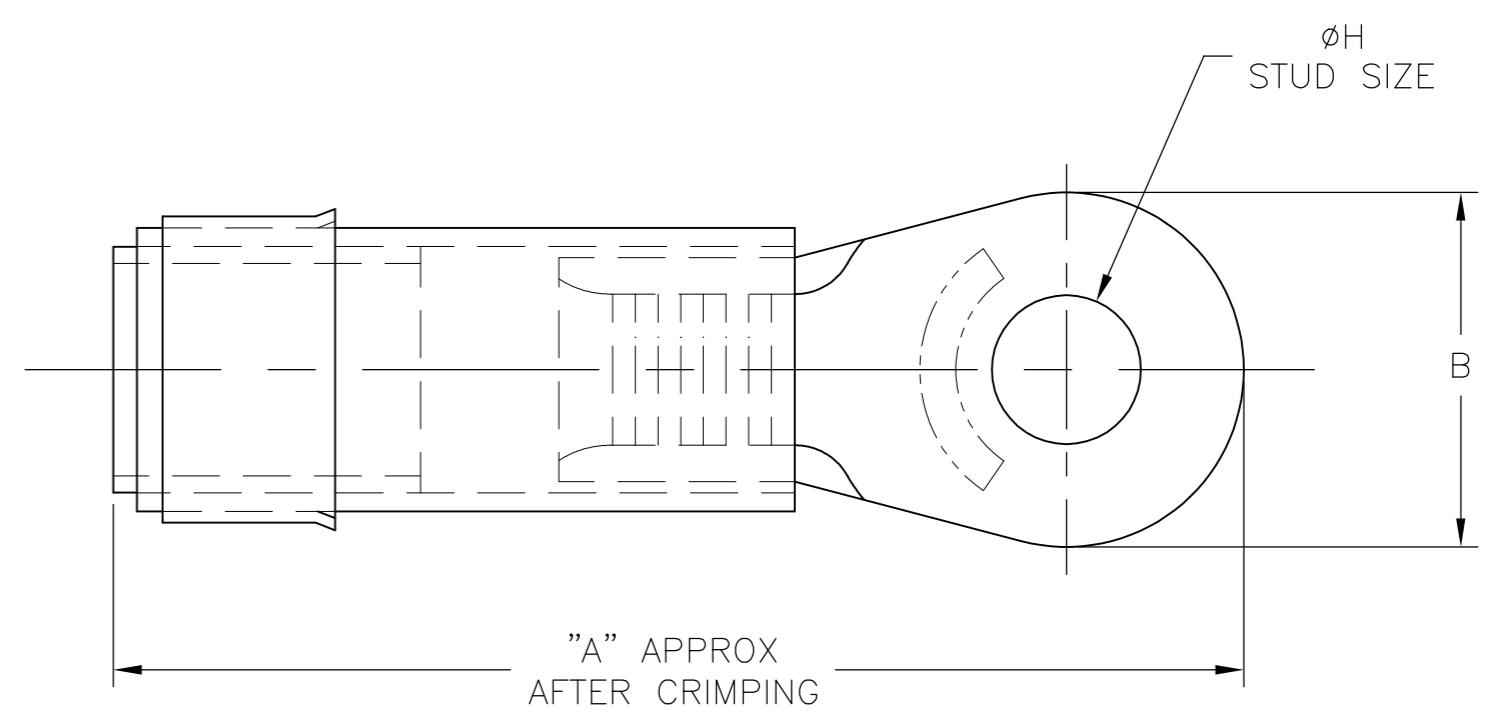
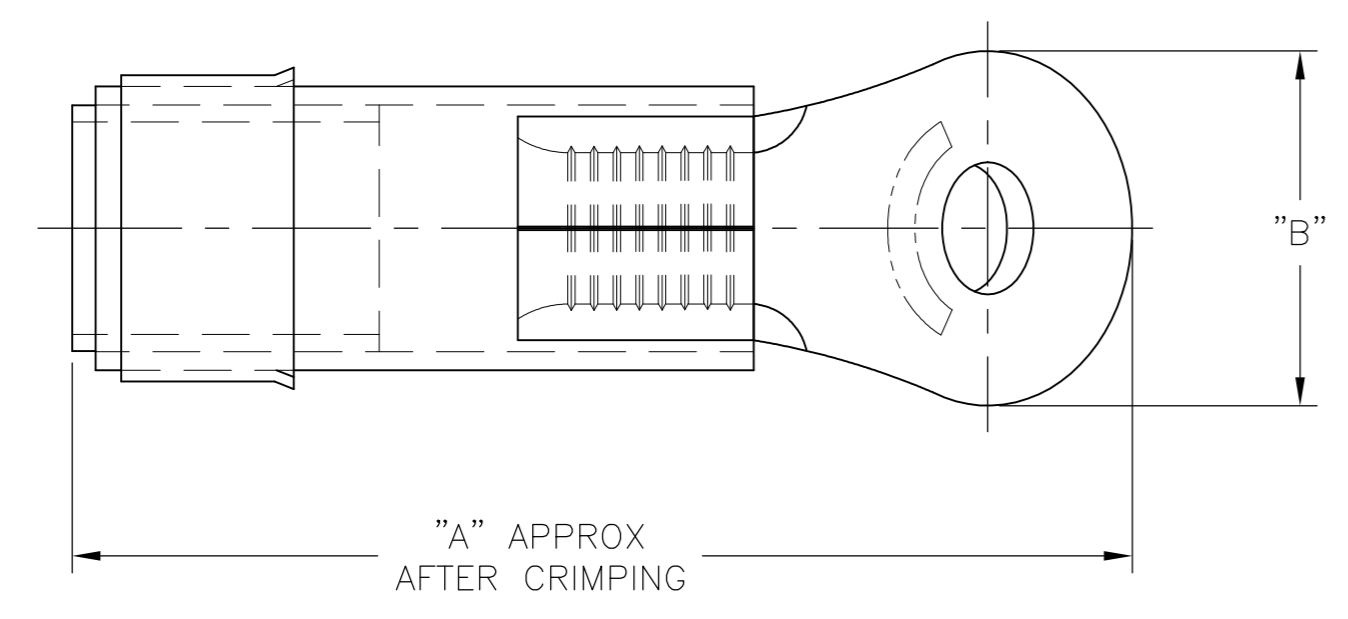
1

THIS DRAWING IS UNPUBLISHED. RELEASED FOR PUBLICATION ALL RIGHTS RESERVED.

REVISIONS					
P	LTR	DESCRIPTION	DATE	DWN	APVD
J3		REVISED PER ECO-13-019174	06DEC2013	KH	DR
J4		REVISED PER ECO-17-016703	02APR2018	RS	DR



- 1 MATERIAL:
TERMINAL: COPPER (ASTM B152)
RING: ALUMINUM (ASTM B209)
INSULATION: PTFE (ASTM D3295)
- 2 FINISH:
GOLD PL ASTM B488 TYPE I 0.0013 [.000050]
MIN THK OVER NICKEL PL (SAE AMS QQ-N-290)
0.00076 [.000030] MIN EXT THK
- 3 FOR WIRE INS DIA SEE TABLE
- 4 TONGUE MATERIAL THK: 1.22±0.08 [.048±.003]
- 5 NOTE DELETED
- 6 NOTE DELETED



2	9.12 [.359]	23.72 [.934]	4.37 [.172]	7.52 [.296]	328601	1	22.35 [.880]	8.28 [.326]	5.46-6.48 [.215-.255]	329626	11.91 [.469]	39.62 [1.560]	5.00±0.08 [.197±.003]	10	8	329580
	F	E	G	C	BODY	BUSHING REQD	H	D	INSUL DIA	SLEEVE ASSY	B	A	ØH	STUD	SIZE	ASSY NO.

THIS DRAWING IS A CONTROLLED DOCUMENT.

DIMENSIONS: mm [INCHES]	TOLERANCES UNLESS OTHERWISE SPECIFIED: 0 PLC ± - 1 PLC ± - 2 PLC ± - 3 PLC ± 0.20[.008] 4 PLC ± - ANGLES ± -	DWN KIRAN HOLAL 13APR13	CHK ROHDE DANIEL 13APR13	APVD ROHDE DANIEL 13APR13	NAME KIRAN HOLAL
MATERIAL 1	FINISH 2 5	TE Connectivity Ltd.			WIRE TERMINAL ASSY, POST INSULATED, STRATO-THERM HEAT RESISTANT, 8 AWG
CUSTOMER DRAWING		SIZE A2	CAGE CODE 00779	DRAWING NO. 329580	RESTRICTED TO -
		SCALE 4:1	SHEET 1 of 1	REV J4	

329580

B

A