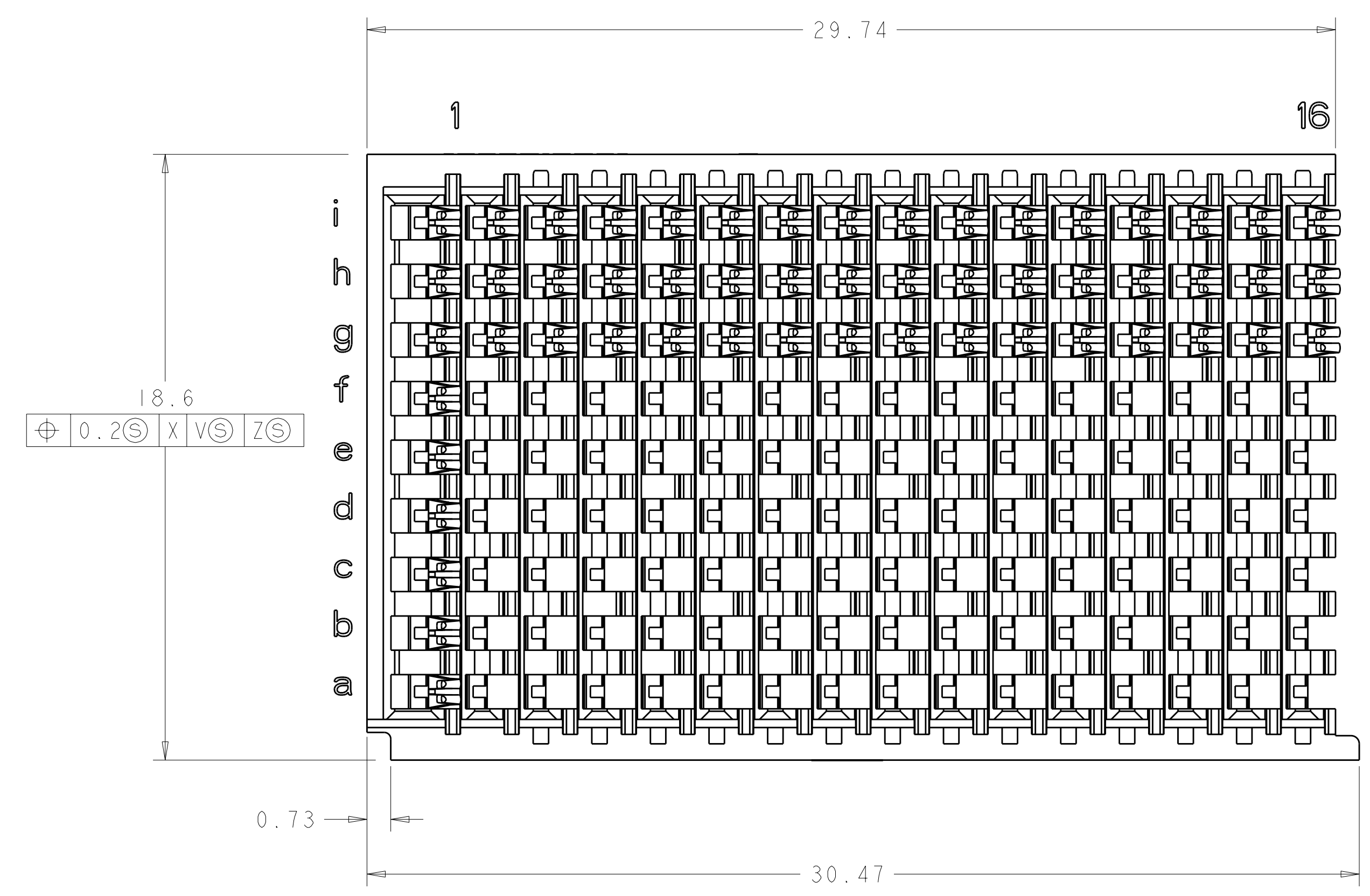
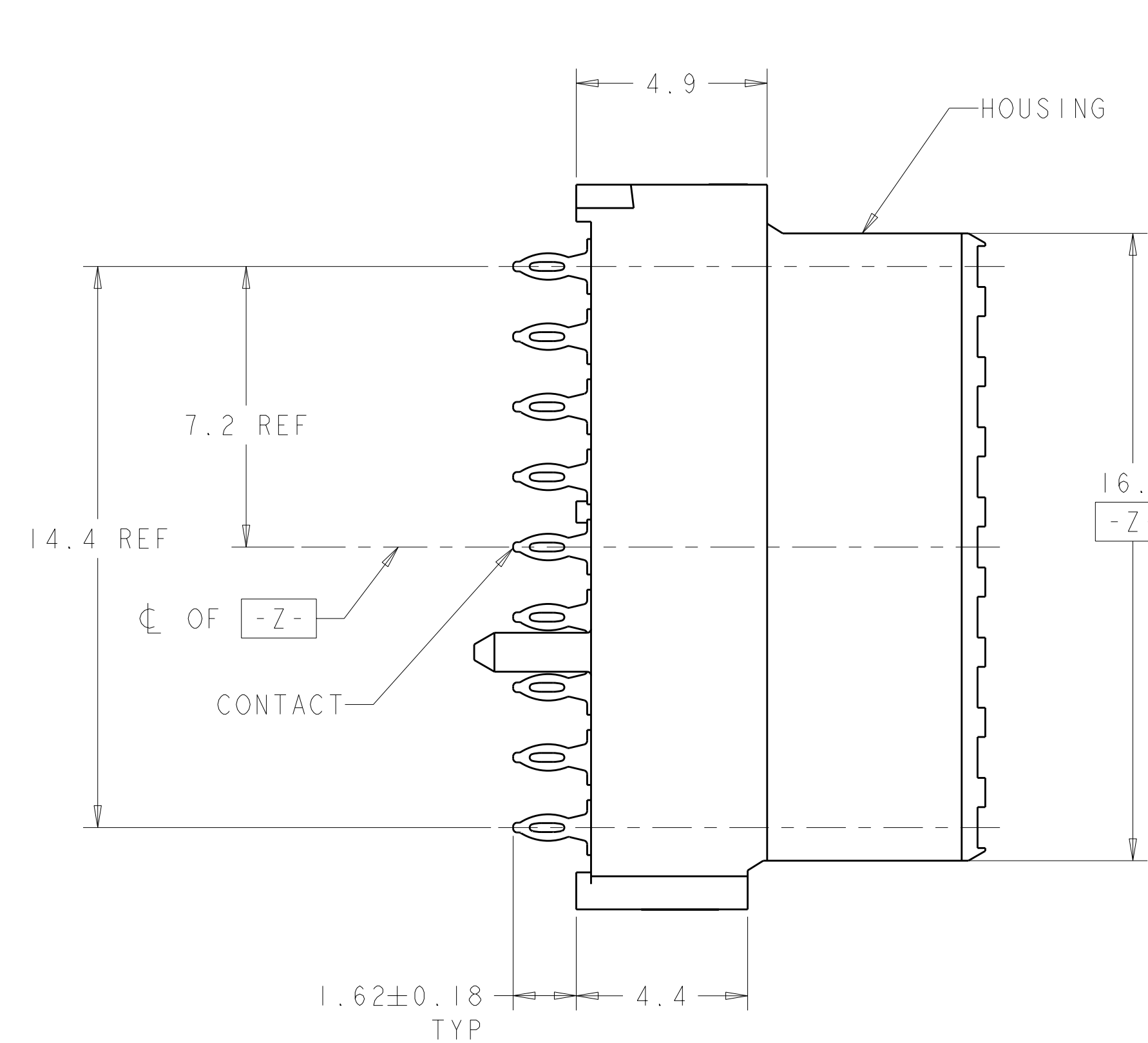
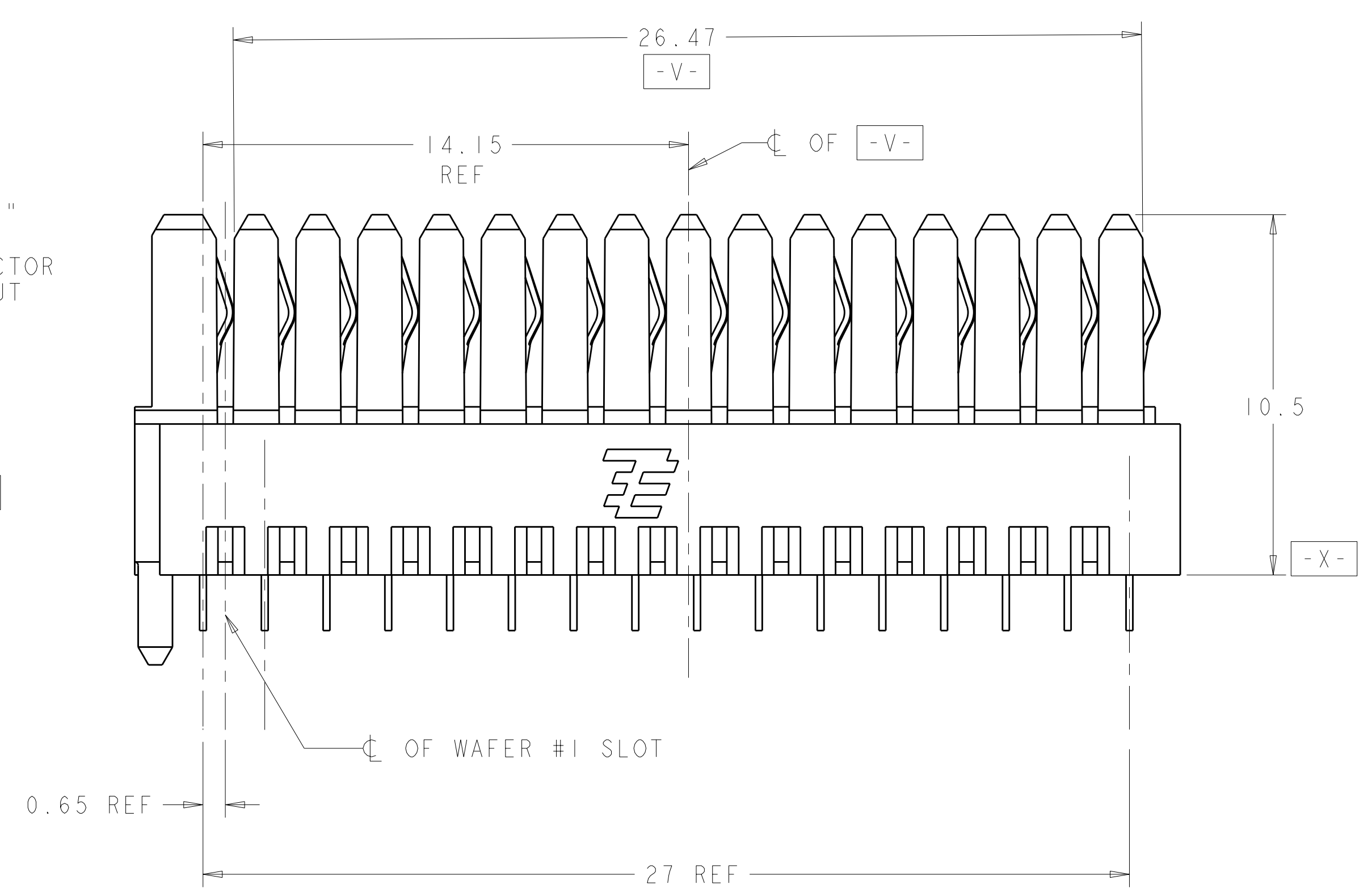
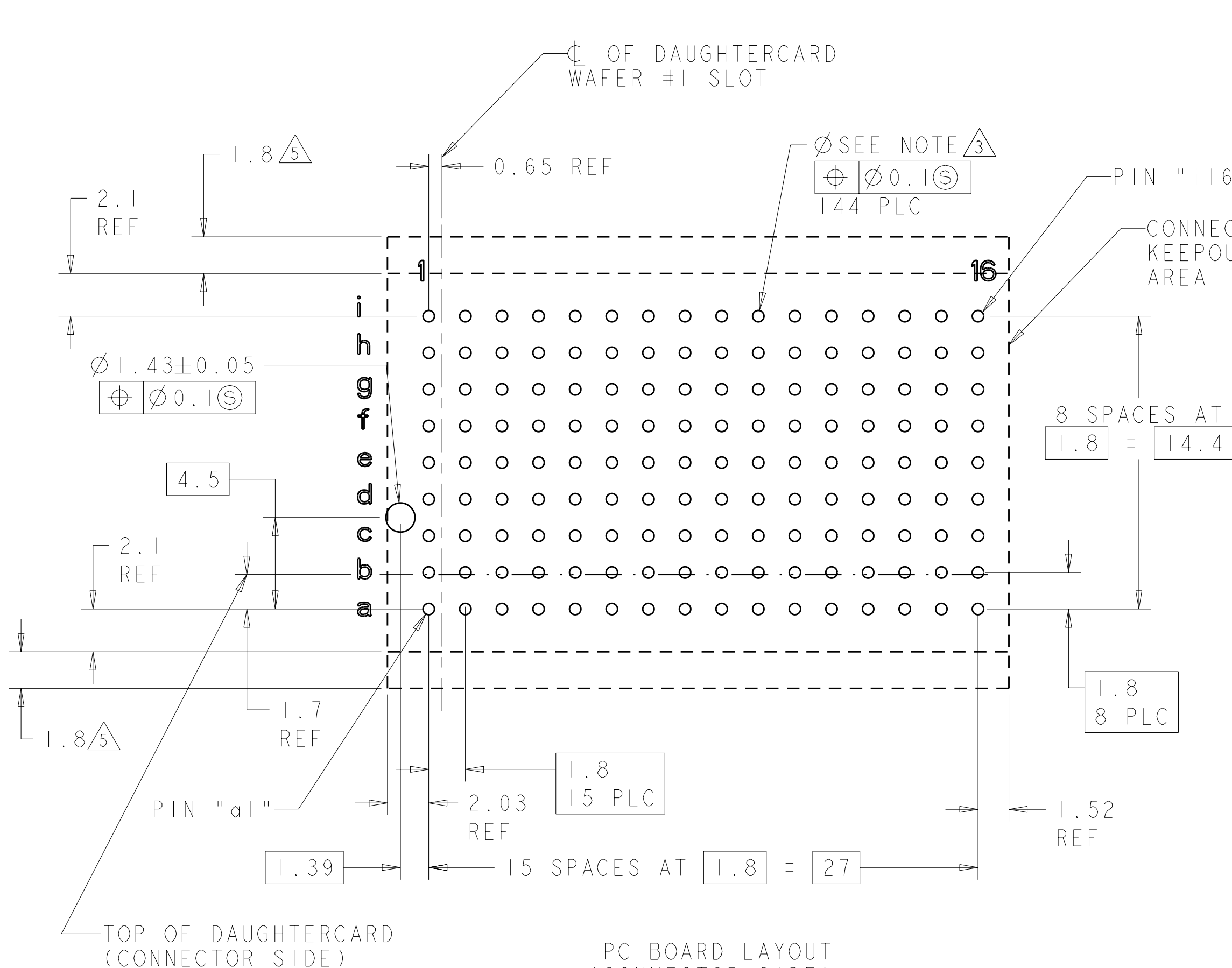


LOC		DIST		REVISIONS			
GP	00	P	LTR	DESCRIPTION	DATE	DWN	APVD
		B		REVISED PER ECO-11-003271	05SEP2011	HMR	AS



- 1 HOUSING: LCP, UL94V0, COLOR: BLACK. CONTACT: PHOSPHOR BRONZE.
- 2 FINISH: 1.27μm GOLD IN CONTACT AREA 1.27μm MIN. TIN-LEAD ON PCB TAIL OVER 3.81μm MIN. NICKEL OVER ALL
- 3 MANUFACTURING TOLERANCE FOR:
 Ø0.56±0.05 FINISHED HOLE WITH Sn PB PLATING:
 DRILLED HOLE = Ø0.65±0.02
 COPPER PLATING = 0.025-0.050
 Sn PB PLATING = 0.0038-0.0124
 OR
 Ø0.575±0.050 FINISHED HOLE WITHOUT Sn PB PLATING:
 DRILLED HOLE = Ø0.65±0.02
 COPPER PLATING = 0.025-0.050
- 4 FINISH: 1.27μm GOLD IN CONTACT AREA 1.27μm MIN. TIN ON PCB TAIL OVER 3.81μm MIN. NICKEL OVER ALL.
- 5 ADDITIONAL CONNECTOR-SIDE KEEPOUT AREA REQUIRED IF CONNECTOR-SIDE EXTRACTION TOOL IS TO BE USED.



1410141-2	PLATING
1410141-1	PART NO

THIS DRAWING IS A CONTROLLED DOCUMENT.		DWN: R. IREA 12NOV2002	TE Connectivity
DIMENSIONS: mm		CHK: J. CONSOLI 18NOV2002	
TOLERANCES UNLESS OTHERWISE SPECIFIED:		APVD: J. CONSOLI 18NOV2002	NAME: CONNECTOR ASSEMBLY, BACKPLANE VERTICAL RECEPTACLE, LEFT END, 20.3mm, MultiGig RT 2
9 PLC ± 1 PLC ±0.5 3 PLC ±0.13 5 PLC ± 4 PLC ± ANGLES ±1°		PRODUCT SPEC: 108-2072	
MATERIAL: SEE TABLE		APPLICATION SPEC: 114-13056	SIZE: CAGE CODE: DRAWING NO: A100779C=1410141
FINISH: SEE TABLE		WEIGHT: -	RESTRICTED TO: -
CUSTOMER DRAWING		SCALE: 8:1	SHEET 1 OF 1 REV B