

PART NAME: KNOB      SCALE: 1:1      DATE: 4/14/92      DR. BY HD

THIS DRAWING IS THE PROPERTY OF DAVIES MOLDING COMPANY, IS SUBMITTED SOLELY AS A DESIGN OR ENGINEERING PROJECT. WE ACCEPT NO RESPONSIBILITY WHATSOEVER FOR THE PRACTICAL APPLICATION OF THE PIECES MADE TO THIS DESIGN.

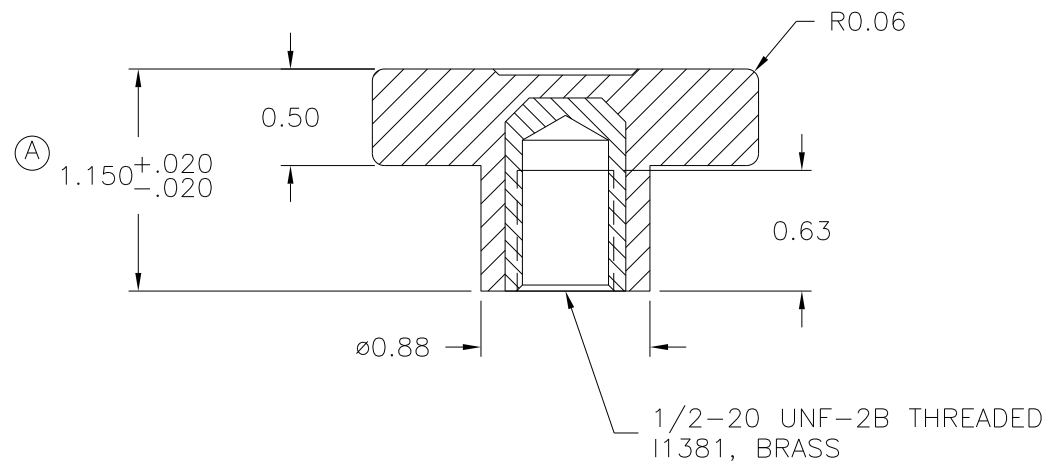
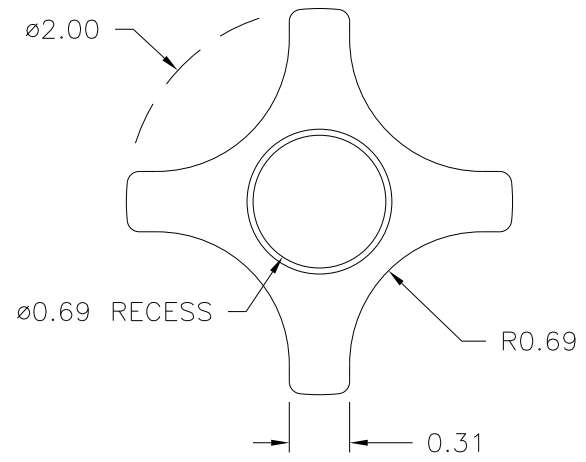


DESIGNERS & MANUFACTURERS OF KNOBS, HANDLES, CASES & CUSTOM PLASTIC COMPONENTS

P/N 2830BH

M<sup>NO.</sup> 2890-2830

CAVITY	2830
CAVITY PLUG	2830-BG
PLUNGER	2830
PLUNGER PIN	2830
INNER PIN	3000-J
OUTER PIN	3000-J4
LANDING BAR	.472
PIN PLATE SHIM	.373
SHIM	.018
INSERT	I1381



MATERIAL: #4311 PLENCO PHENOLIC (B41)  
COLOR: BLACK

TOLERANCES: UNLESS OTHERWISE SPECIFIED	DO NOT SCALE DRAWING			
DECIMALS: X.XXX ± .005 X.XX ± .015	MM: X.XX ± 0.15MM X.X ± 0.4MM	B	SHIM WAS .078	ST 5/14/01
FRACTIONS ± 1/64	ANG. ± 1°	-	RE-DID DRAWING	TL 8/9/99
		A	OVERALL HEIGHT WAS 1.25	HD 4/2/96
CHANGES				