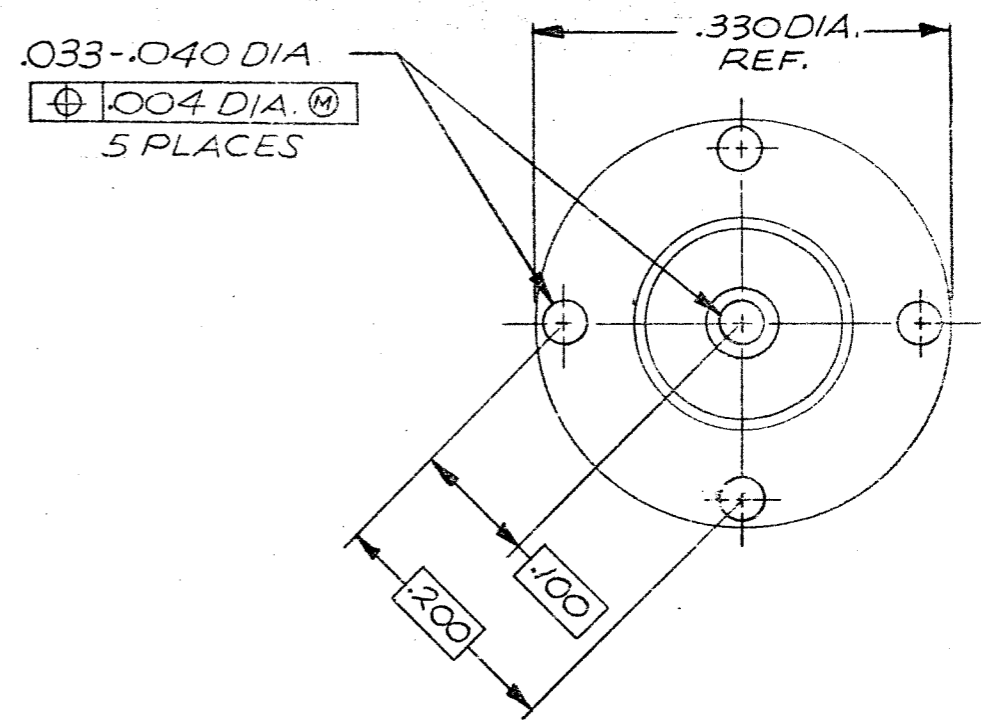
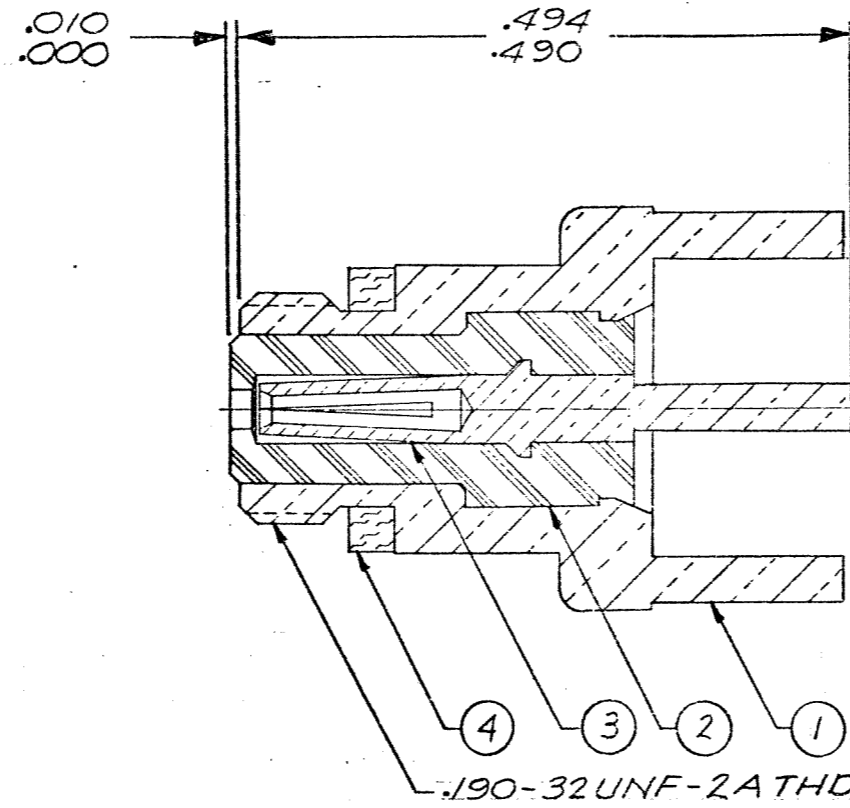


REVISIONS					
ZONE	LTR	ECN	DESCRIPTION	DATE	APPROVED
	D	26380	REVISED AND REDRAWN. (S) ORIG. RELEASE 3-3-70 BY RAM & VM.	2/26/82	lys
	E	41073	003-0268-0000 WAS 003-0011-0001. DEL "MAT'L AND SPEC."	8/20/01	Acc
	E1A1125		REV. CUST. SPEC	9/24/01	Acc

F Combine M & CD Dwg



NOTES:

- THIS CONNECTOR MATES WITH ALL 50 SERIES SCREW-ON PLUGS AS LISTED IN MALCO CATALOG.

Tyco Customer Drawing 9-1532137-0

QTY REQD	CODE IDENT	PART OR IDENTIFYING NO.	DESCRIPTION	MAT'L AND SPEC.	ITEM NO.
1		003-0268-0000	GASKET		4
1		003-1334-0003	CONTACT, SOCKET		3
1		003-1332-0001	INSULATOR		2
1		003-1327-0001	HOUSING		1

UNLESS OTHERWISE SPECIFIED DIMENSIONS ARE IN INCHES TOLERANCES ARE: FRACTIONS DECIMALS ANGLES ± .XX ± ± ± .XXX ± ±		CONTRACT NO.		MALCO A MICRODOT COMPANY, INC. 220 PASADENA AVE., SO. PASADENA, CALIF. 91039	PROD. CODE 934 CODE M
MATERIAL NOTED		APPROVALS DRAWN <i>Coriel Brown</i> 2-3-82 CHECKED <i>Q Hsn</i> 2/19/82 PR. ENG. <i>lys</i> 2/4/82 APPD.			
FINISH		SIZE B		CODE IDENT NO. 98278	DRAWING NO. 051-0607-0001
NEXT ASSY		USED ON		SCALE	
APPLICATION		DO NOT SCALE DRAWING		SHEET / OF /	

D

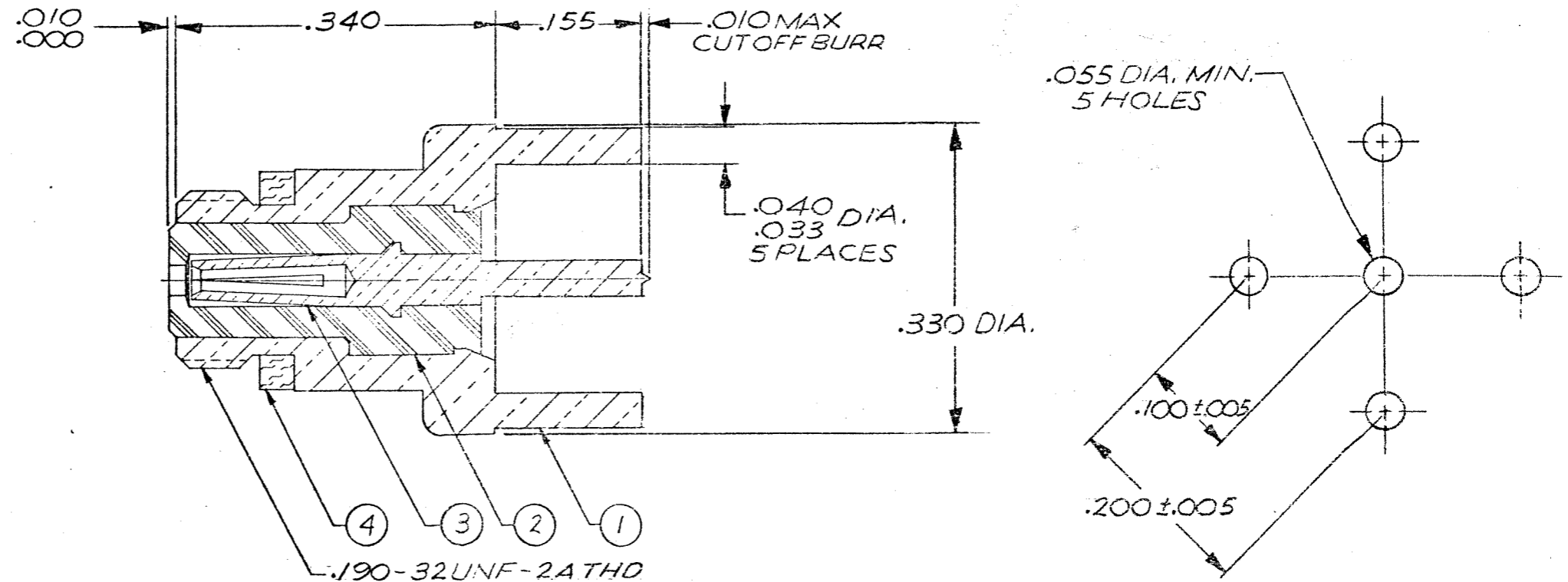
C

B

A

REVISIONS					
ZONE	LTR	ECN	DESCRIPTION	DATE	APPROVED
	D	26380	REVISED FREDRAWN ORIG. RELEASE 3/3-70 BY RAMEVAN	2/26/82	MS
	E	41073	003-0268-0000 WAS 003-0011-0001. DEL "MATL AND SPEC	8/20/01	AW
	E1	41125	REV. CUST SPEC	7/29/01	AW

F Combine M & CD Dwg



MOUNTING PATTERN
Tyco Customer Drawing 9-1532137-0

NOTES: UNLESS OTHERWISE SPECIFIED.

1. THIS CONNECTOR MATES WITH ALL 50 SERIES SCREW-ON PLUGS AS LISTED IN MALCO CATALOG.
2. SILVER PLATE .0002 MIN. PER QQ-S-365, TYPE II, GRADE A
3. GOLD PLATE PER MIL-G-45204, TYPE II, GRADE C, CLASS II.

QTY REQD	CODE IDENT	PART OR IDENTIFYING NO.	DESCRIPTION	MAT'L AND SPEC.	ITEM NO.
1		003-0268-0000	GASKET		4
1		003-1334-0003	CONTACT SOCKET		3
1		003-1332-0001	INSULATOR		2
1		003-1327-0001	HOUSING		1

PARTS LIST		CONTRACT NO.		MALCO A MICRODOT COMPANY, INC. 220 PASADENA AVE., SO. PASADENA, CALIF. 91030	
UNLESS OTHERWISE SPECIFIED DIMENSIONS ARE IN INCHES TOLERANCES ARE:		APPROVALS		DATE	
FRACTIONS ±	DECIMALS .XX ±	DRAWN <i>W. Brown</i>		2-3-82	
ANGLES =	.XXX ± .010	CHECKED <i>E. Hsu</i>		2/19/82	
MATERIAL	NOTED	PR. ENG. <i>MS</i>		2/25/82	
FINISH	NOTED	APPD.			
NEXT ASSY	USED ON	These drawings and specifications are the property of Microdot, Inc. and are issued in strict confidence and shall not be divulged, reproduced or copied or used as the basis for the manufacture or sale of any article without written permission of Microdot, Inc.		SIZE	CODE IDENT NO.
APPLICATION	DO NOT SCALE DRAWING	RECEPTACLE PRINTED CIRCUIT		B	98278
		DRAWING NO.		051-0607-0001	
		SCALE		SHEET / OF /	