

3V Radial lead Supercapacitors

1/22/2021

Chicago Office, Tel: (847)-675-1760, Fax: (847)-673-2850, www.cde.com
Hong Kong Office, Tel: 85227930931, Fax: 85227930731, www.cde.com

Part Number: DSF607Q3R0L

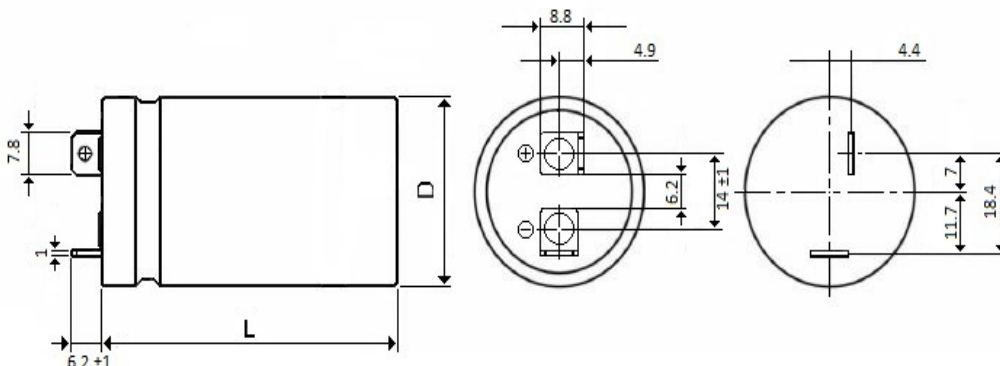
RoHS compliant

Electrical Specifications

Capacitance: 600 F	WVDC: 3 Volts DC
Tolerance: +30 %, -10 %	SVDC: 3.15 Volts DC
TEMPERATURE RANGE: -40°C to +65°C	Volume: 67.348 mL
Maximum stored energy: 0.75 Watt hours	Weight: 82 grams
ESR (AC): 3 mΩ at 1 kHz, 20°C	ESR (DC): 3.5 mΩ at DC, 20°C
Maximum Current: 290.32 Amps (1 second discharge to 1/2 the rated voltage)	Operating Current: 126.76 Amps (5 sec discharge to 1/2 rated voltage)
Short circuit current: 857A	
Energy Density: 9.146 Wh/kg	Power Density: 3.763 kW/kg
Energy Density (Volumetric): 11.14 Wh/l	Power Density(Volumetric): 4.582 kW/l
Load Life: 1000 hours at 65°C and 100 % of rated voltage applied	Leakage Current: 1.5 mA after applying rated voltage for 72 hours at room temperature
Max Capacitance change: ≤30% of initially measured value	
ESR change: ≤200% of maximum specified value	

Physical Dimensions:

Diameter (D):	35 mm, + 1 mm
Length (L):	70 mm, + 2 mm
Lead Spacing (S):	14 mm, +/- 1 mm
Lead Length (LL):	6.2 mm, +/- 1 mm
Sleeving :	Black PET sleeving
Termination Finish:	Matte Tin



Americas / EU
Phone: 1-508-996-8561
Email: cdena@cde.com



Asia
Phone: 852-2793-0931
Email: cdeasia@cde.com