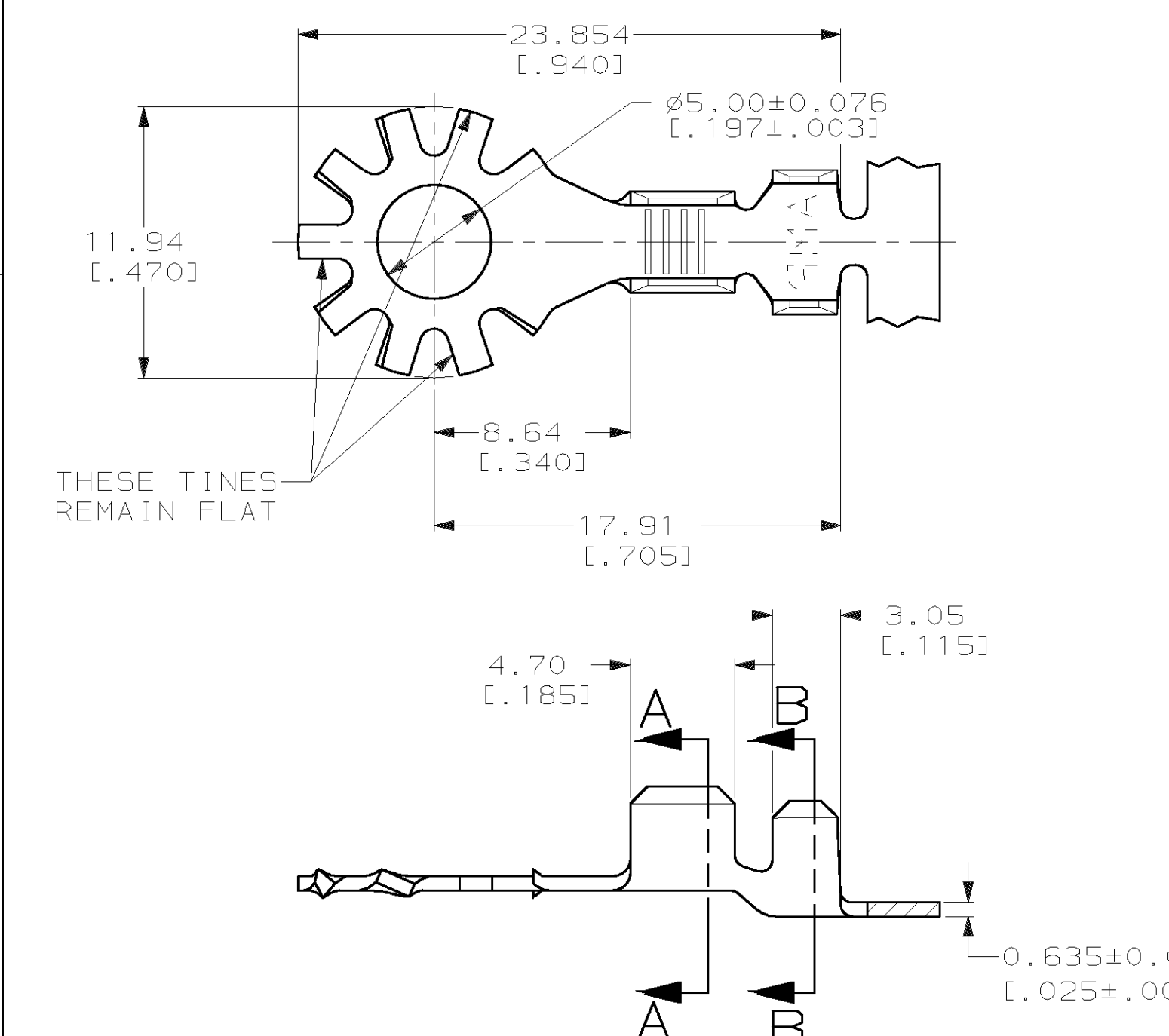
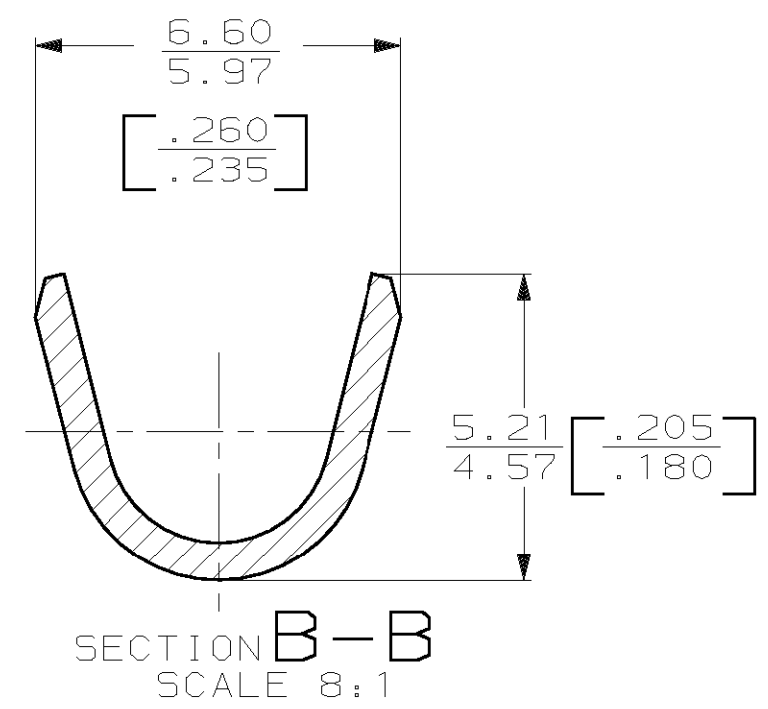
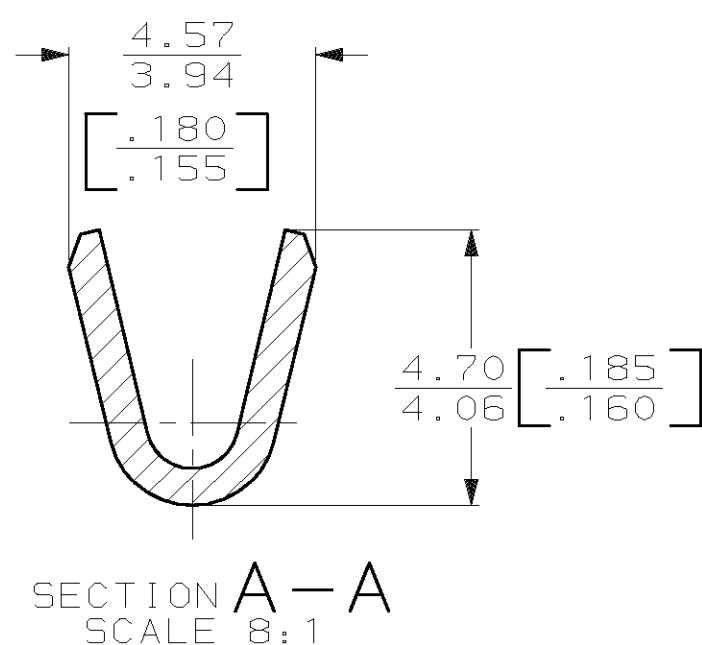


THIS DRAWING IS UNPUBLISHED. RELEASED FOR PUBLICATION, 19 .  
 © COPYRIGHT 19 BY AMP INCORPORATED. ALL INTERNATIONAL RIGHTS RESERVED.

LOC	DIST	P	F	ZONE	LTR	DESCRIPTION	DATE	APPD
AF	50				B	REV PER 063A-0429-01	25JUL01	JR/DD



1 CONTINUOUS STRIP ON REEL.



2.16-3.56 DIA [.085-.140]	0.8-2.0mm <sup>2</sup> [18-14] AWG	63707-1
INSULATION RANGE	WIRE RANGE	PART NO

DO NOT SCALE PRINT. UNLESS SPECIFIED DIMENSIONS IN mm [INCHES] TOLERANCES ON: 2 PLC DEC ± 0.25 [.010] 3 PLC DEC ± - ANGLES ± -	DR 5/27/93 PHIL FORTNEY	<b>AMP</b> AMP Incorporated Harrisburg, PA 17105-3608
	CHK 5/27/93 JR RUTH	
MATERIAL H04 BRASS	APPD 5/27/93 G YETTER	NAME RING, ANTI-ROTATIONAL, EXTERNAL
FINISH -	APPD 5/27/93 R WEAVILL	SIZE B
	PRODUCT SPEC -	CAGE CODE 00779
	APPLICATION SPEC -	DRAWING NO C-63707
	WEIGHT -	SCALE 4:1
		SHEET 1 OF 1

THIS DRAWING IS A CONTROLLED DOCUMENT FOR AMP INCORPORATED. IT IS SUBJECT TO CHANGE AND THE CONTROLLING ENGINEERING ORGANIZATION SHOULD BE CONTACTED FOR THE LATEST REVISION.