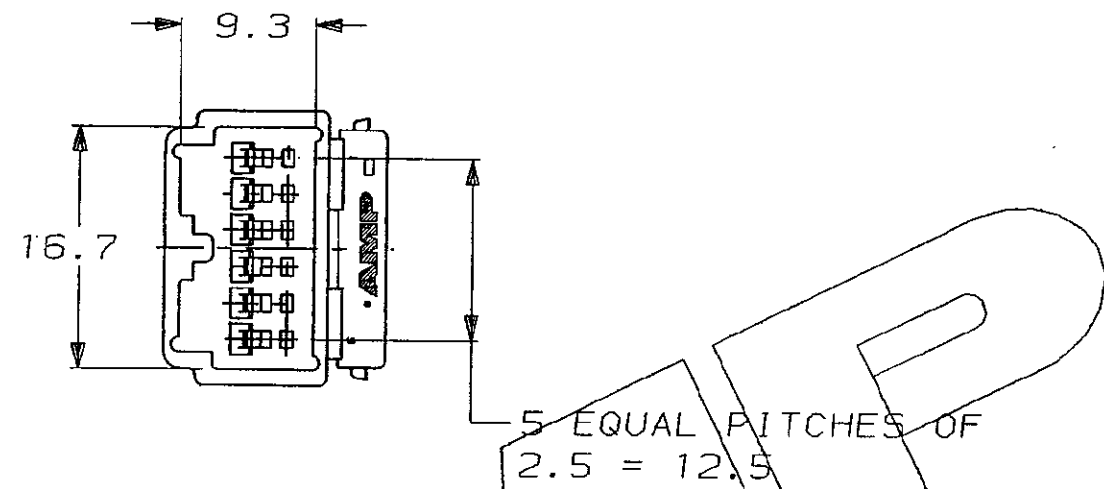
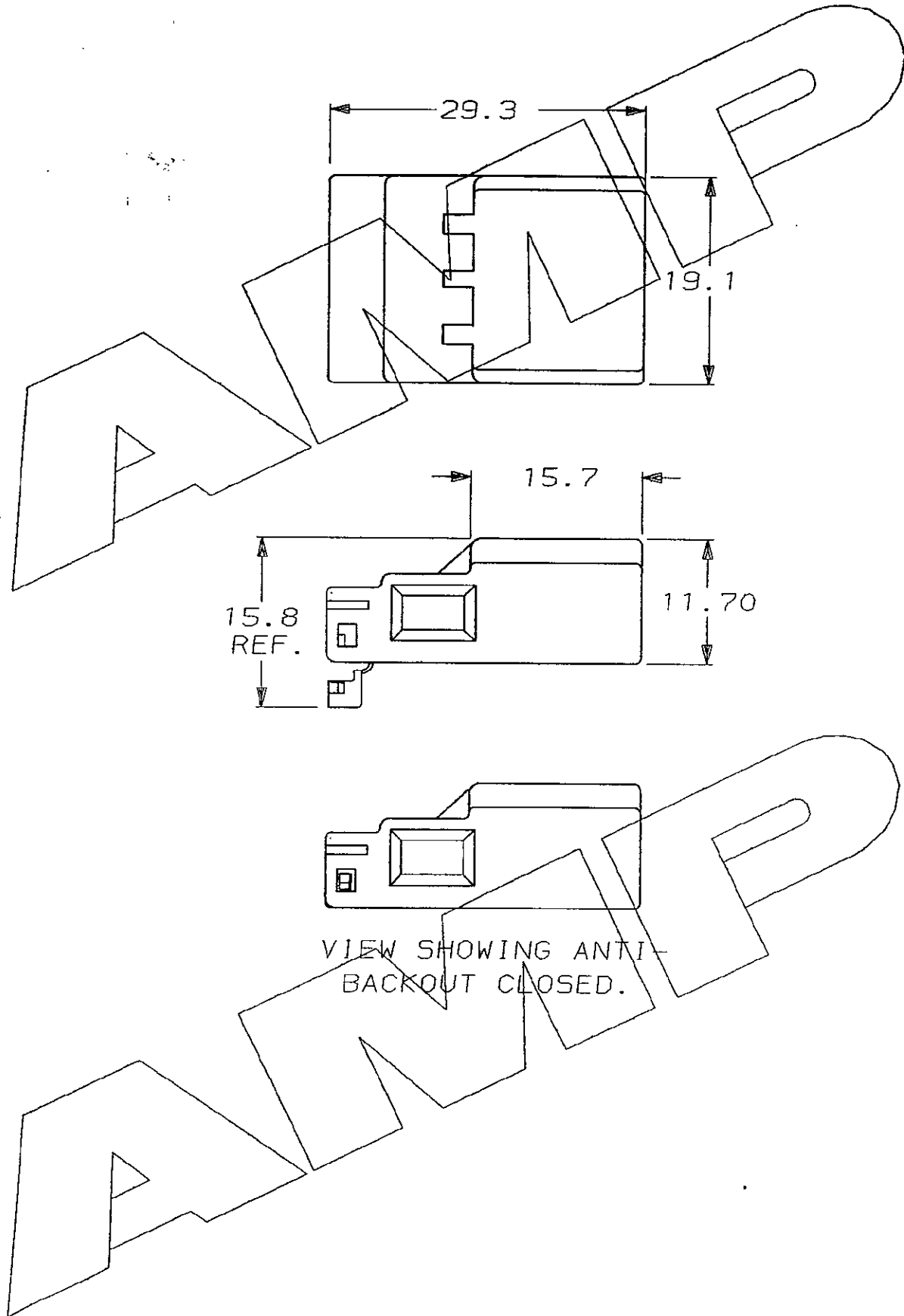
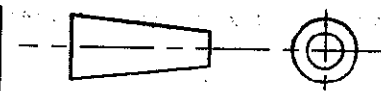


C.A.D. FILE CODE
S.C345178.A

DO NOT SCALE DIMENSIONS IN MM.



BLACK		P.B.T		345178-2	
FINISH		MATERIAL		PART NUMBER	
CUSTOMER DWG FOR REFERENCE ONLY		©COPYRIGHT 1992 BY AMP OF GREAT BRITAIN LTD. ALL INTERNATIONAL RIGHTS RESERVED. ALL PRODUCTS MAY BE COVERED BY BRITISH AND FOREIGN PATENTS AND/OR PATENTS PENDING.		RELEASED FOR PUBLICATION 11 MAY 1992	
-	-	TOLERANCES UNLESS OTHERWISE STATED :		DR. D.R. TERRY 11 MAY 1992	
-	-	DEC ± 0.5		CH. M. MISTRY APP. M. MISTRY	
-	-	ANGLES ± 1°		AMP of Great Britain Ltd. TERMINAL HOUSE STANMORE MIDDXX.	
-	-	NAME 6 WAY ML40 PIN HOUSING			
A	EB00-0223-94	MM	22/4/94	SCALE	LOC
O	RELEASE FOR PRODCS187	11-5-92		SIZE	DWG.No.
REV	APPROVED	ECN	DATE	2/1	E A3
				C345178	REV SHEET
					A 1/1