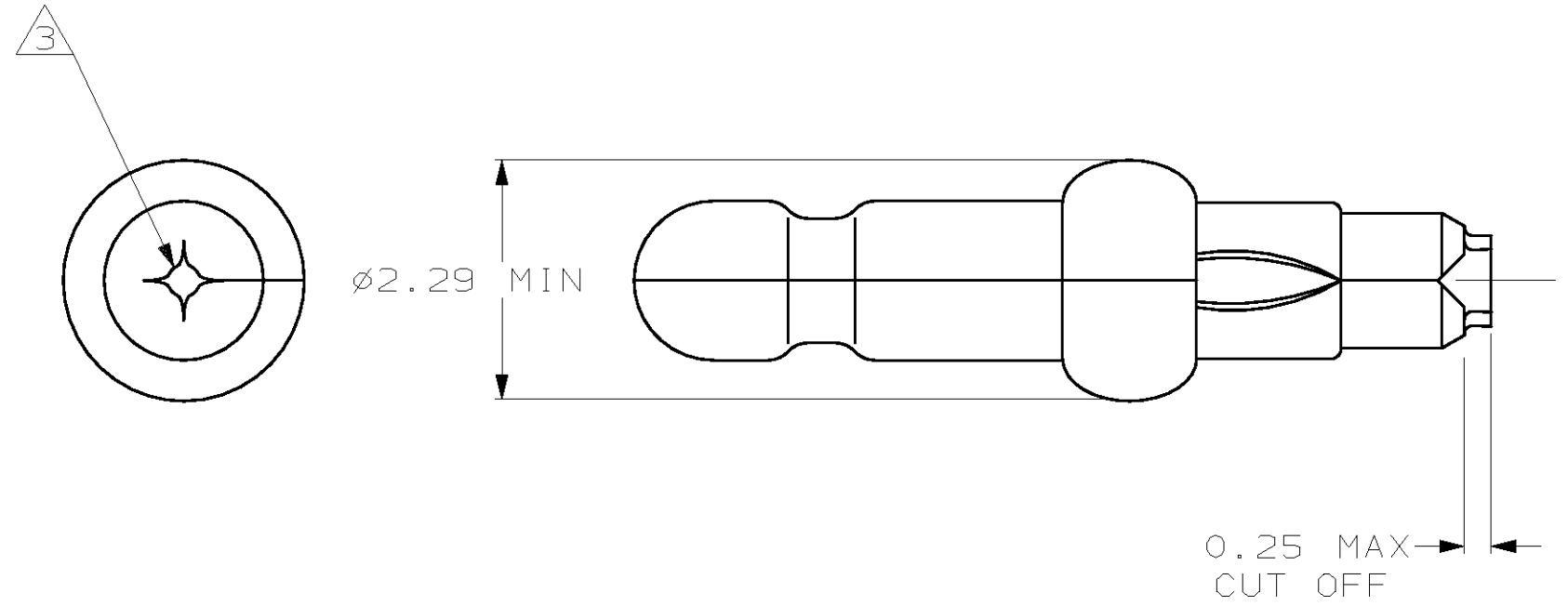
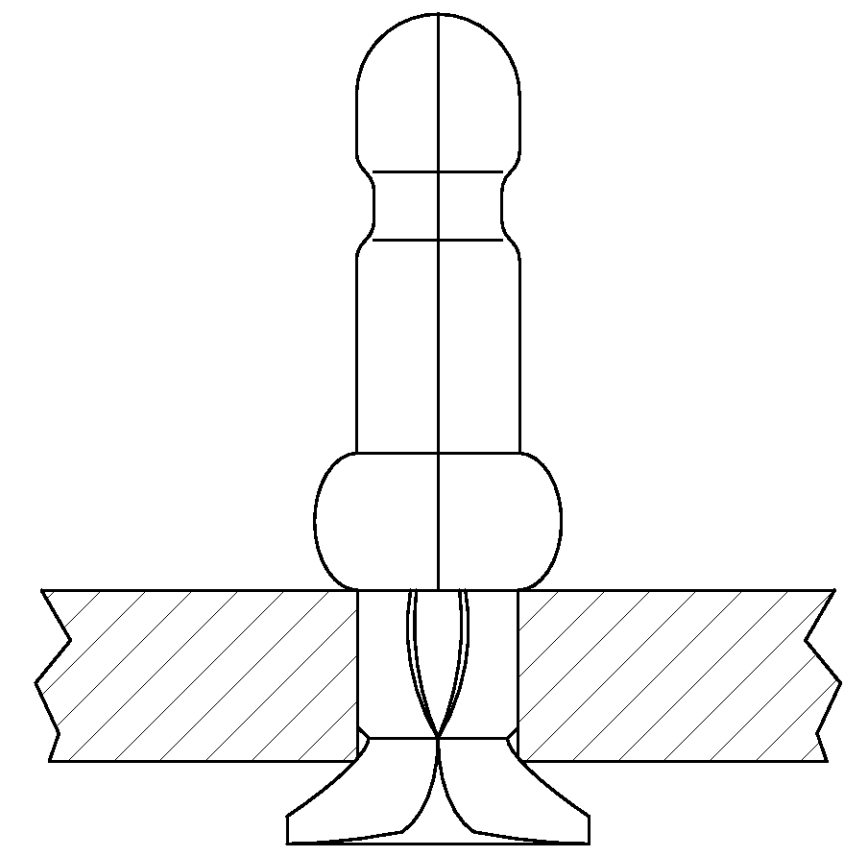
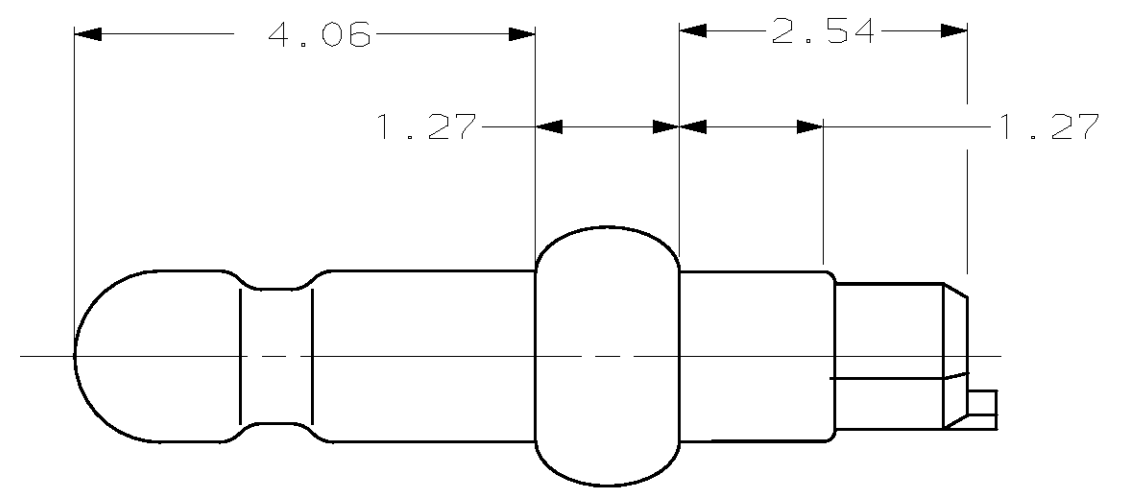


THIS DRAWING IS UNPUBLISHED. RELEASED FOR PUBLICATION
 (C) COPYRIGHT 19 BY AMP INCORPORATED. ALL RIGHTS RESERVED.

LOC	DIST	REVISIONS					
		P	LTR	DESCRIPTION	DATE	DWN	APVD
CM	52						
		U		REV & REDWN PER EC 0L30-0176-97	8-27-97	TB	RS



1. FITS 1.40 - 1.55 DIAMETER HOLE IN A 1.57 PRINTED CIRCUIT BOARD.
 2. PARTS TO COMPLY WITH AMP SOLDERABILITY SPECIFICATION 109-11-3.
- △ 0.05 - 0.25 DIAMETER OPENING REQUIRED IN TIP OF PIN.



640394-1
PART NUMBER

MM	IN	MM	IN	MM	IN	MM	IN
0.25	.010	1.47	.058	2.29	.090	-	-
0.13	.005	1.40	.055	1.57	.062	4.06	.160
0.05	.002	1.27	.050	1.55	.061	2.54	.100

CONVERSION TABLE

METRIC

THIS DRAWING IS A CONTROLLED DOCUMENT.		DWN	T. BECK	8-27-97	AMP Incorporated Harrisburg, PA 17105-3608
DIMENSIONS:		CHK	R. SWING	8-27-97	
mm		APVD	A. BEDDICK	9-10-97	
		TOLERANCES UNLESS OTHERWISE SPECIFIED:		NAME	
0 PLC ±- 1 PLC ±- 2 PLC ±0.13 3 PLC ±- 4 PLC ±- ANGLES ±-		PRODUCT SPEC		108-1025	PIN, .058 DIAMETER, PHOSPHER BRONZE, CLINCH FIT, LOOSE PIECE, P.C. CONTACT
MATERIAL		FINISH		APPLICATION SPEC	
0.25 PH BRZ		PRE TIN		114-1008	RESTRICTED TO
				WEIGHT	-
				CUSTOMER DRAWING	SCALE 15:1 SHEET 1 OF 1 REV U

640394