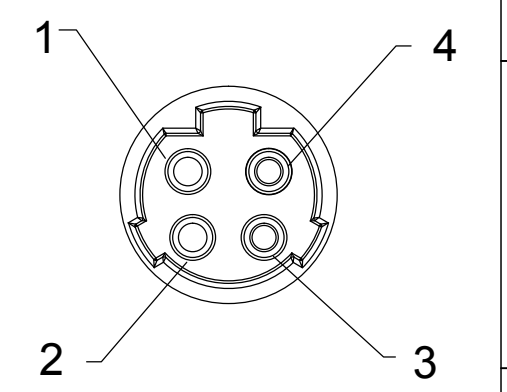
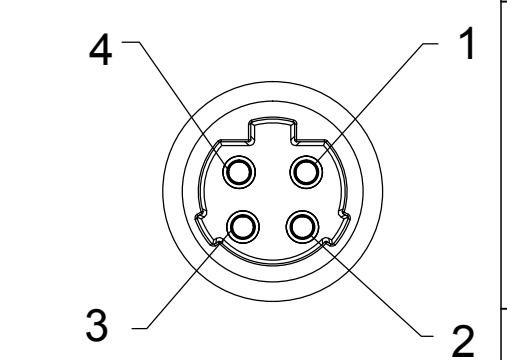
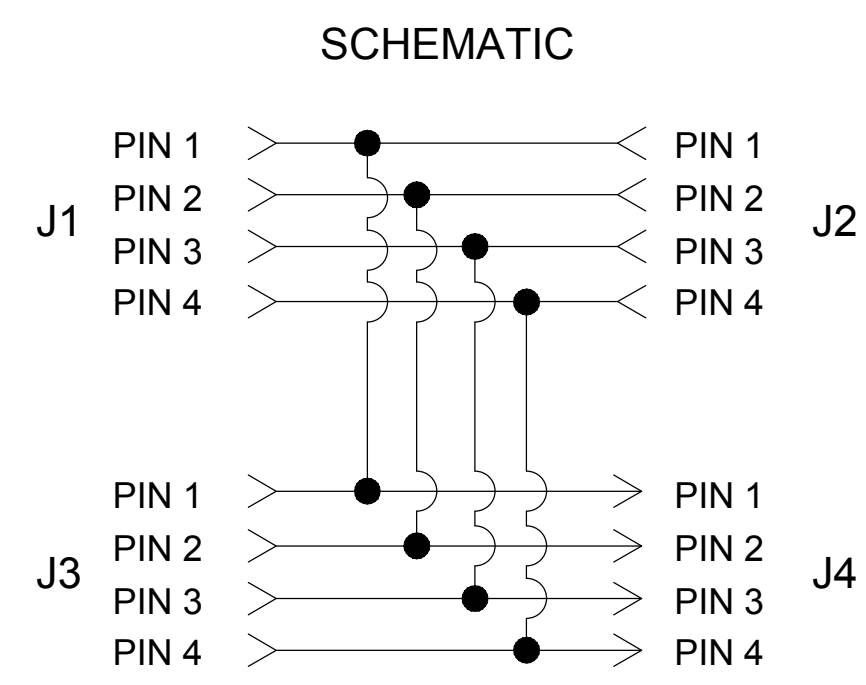
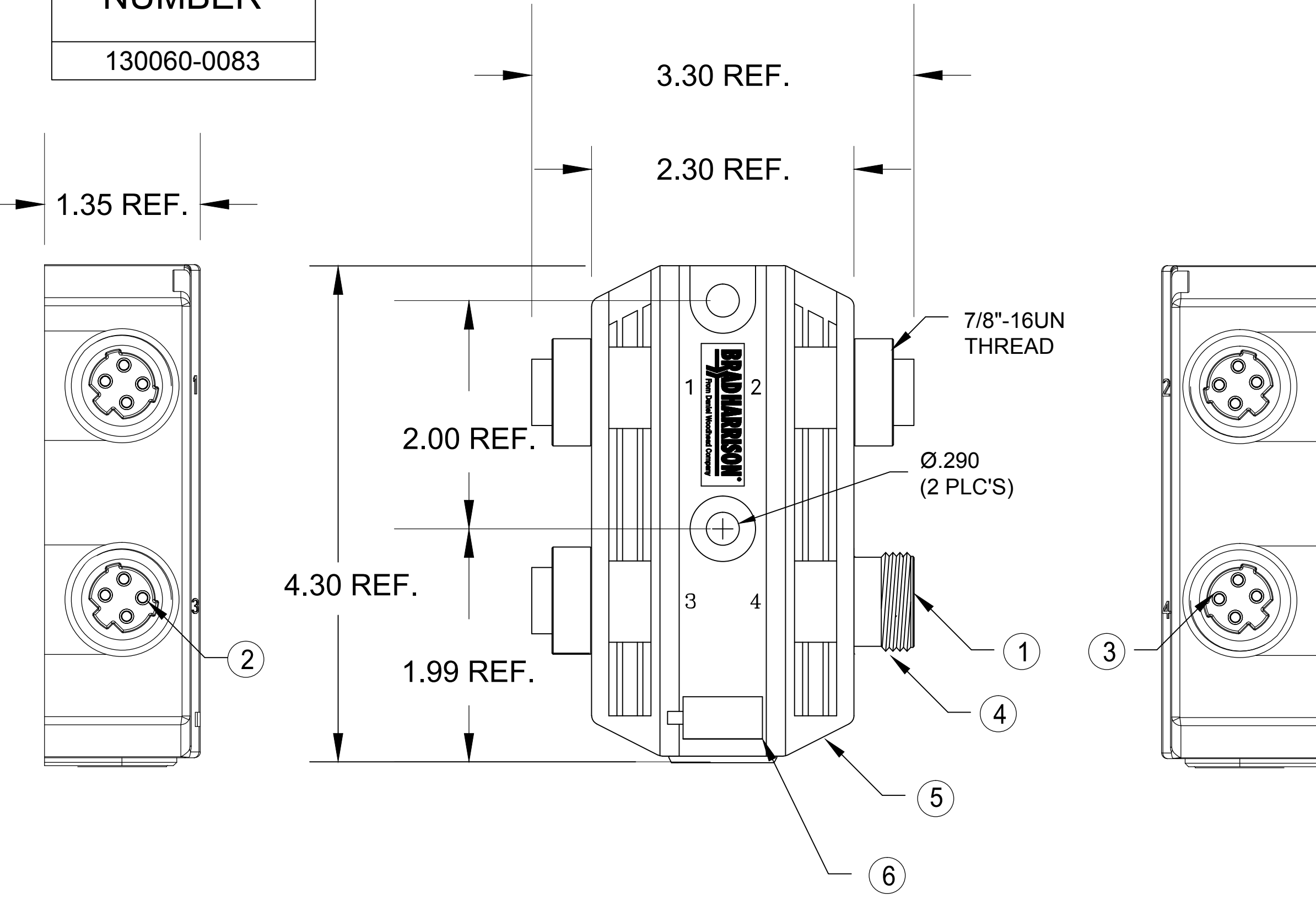


**MATERIAL NUMBER**  
130060-0083



CUSTOMER PRODUCTION APPROVAL  
APPROVED BY: \_\_\_\_\_  
DATE: \_\_\_\_\_  
MUST BE SIGNED AND RETURNED BEFORE  
PRODUCTION WILL BEGIN.

VOLTAGE RATING	600 VAC/VDC
AMPERAGE RATING	15 AMPS
PROTECTION	IP67
OPERATING TEMPERATURE	0°C TO 60°C

SALES DRAWING

ITEM	COMPONENT	MATERIAL	FINISH
1	INSERT	PVC	BLACK
2	CONTACT SOCKET	COPPER ALLOY	GOLD OVER NICKEL
3	CONTACT PIN	COPPER ALLOY	GOLD OVER NICKEL
4	RECEPTACLE SHELL	ZINC DIE CAST	BLACK E-COATED
5	HOUSING	PBT	BLACK
6	LABEL	ABS	WHITE
	POTTING MATERIAL	EPOXY	BLACK

EC NO: IFCG2013-1470 DRWN: BWOODMAN 2013/04/02 CH'KD: KJOZWIK APPR: JFMURPHY 2013/04/25	QUALITY SYMBOL	GENERAL TOLERANCES (UNLESS SPECIFIED) 4 PLACES ±--- ±--- 3 PLACES ±--- ±--- 2 PLACES ±0.05 ±--- 1 PLACE ±0.10 ±--- ANGULAR ±.5°	DIMENSION STYLE	SCALE	DESIGN UNITS	THIRD ANGLE PROJECTION
	▽=0 ∇=0		INCH ONLY	NONE	INCH	

DRAWN BY: BWOODMAN DATE: 2013/04/01 CHECKED BY: KJOZWIK DATE: 2013/04/09 APPROVED BY: JFMURPHY DATE: 2013/04/25	TITLE <b>MC 2 PORT PASS-THRU MPIS                  ALT-KEY 14 AWG</b>
MATERIAL NO. <b>1300600083</b>	DOCUMENT NO. <b>SD-130060-015</b>
SIZE <b>C</b>	SHEET NO. <b>1 OF 1</b>

MOLEX INCORPORATED	
THIS DRAWING CONTAINS INFORMATION THAT IS PROPRIETARY TO MOLEX INCORPORATED AND SHOULD NOT BE USED WITHOUT WRITTEN PERMISSION	