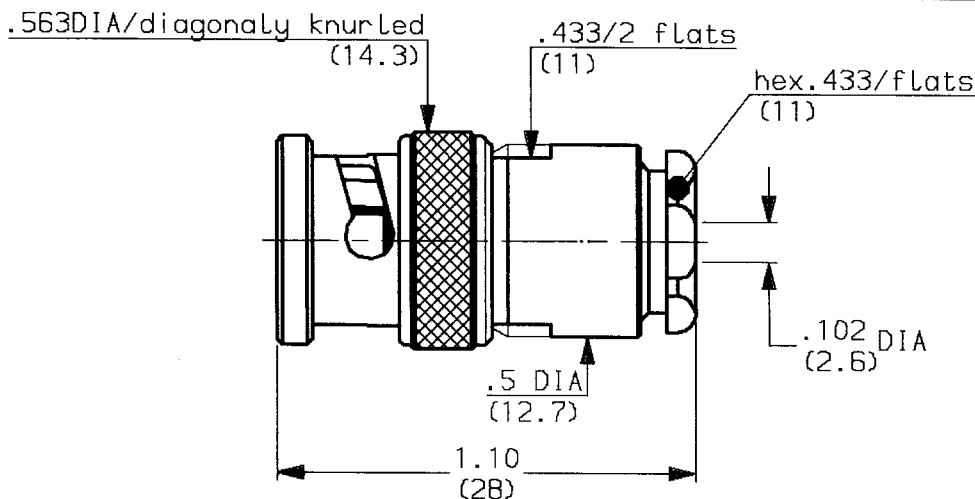


STRAIGHT PLUG-CLAMP TYPE
CABLE 2.2/50 DBR

SERIES: BNC 1 / 2



weight - oz (- g)

CABLE : TS 2619

CHARACTERISTICS

NOMINAL IMPEDANCE	50 Ω
FREQUENCY RANGE	0-4 GHz
TEMPERATURE RATING	-65/+165 °C
VSWR	1,40 Maxi
RF INSERTION LOSS to 3 GHz	0,2 dB Maxi
VOLTAGE RATING	500 Vrms Maxi
DIELECTRIC WITHSTANDING VOLTAGE	1500 Vrms mini
INSULATION RESISTANCE	5000 M Ω mini
HERMETIC SEAL	NA cc/s - Atm.cm ³ /s
LEAKAGE (pressurized only)	NA psi - MPa

STANDARDISATION	NF-C-93564 CECC 22120
CABLE RETENTION	24,75 Lb mini 110 N
CENTER CONTACT RETENTION	
Axial force - mating end	5,94 Lb mini 27 N
Axial force - opposite end	5,94 Lb mini 27 N
Torque (Min)	NA Inch.oz - cm.N
RECOMMENDED TORQUES	
Mating	NA Inch.Lb - cm.N
Panel nut	NA Inch.Lb - cm.N
Clamp nut	39,825 Inch.Lb 450 cm.N

CONSTRUCTION

CONNECTOR PARTS	MATERIALS	FINISH
BODY	BRASS	NICKEL
OUTER CONTACT	BRASS	NICKEL
CENTER CONTACT	BRASS	GOLD
INSULATORS	PTFE	-
-	-	-
-	-	-
-	-	-
-	-	-
-	-	-

ISSUE	REVISION No	DESCRIPTION	BY	DATE
.
.
.
.

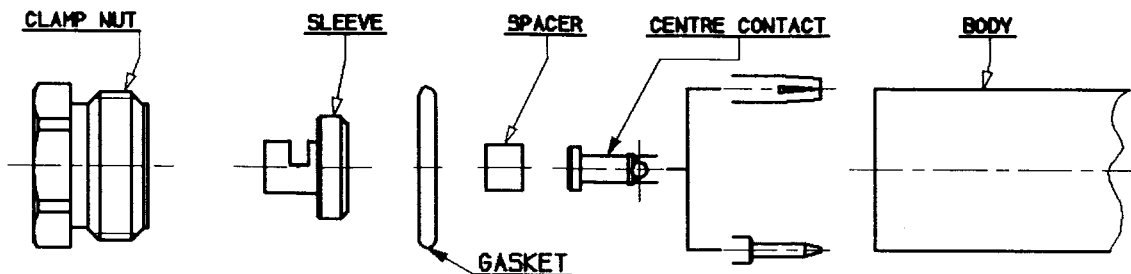
Initiated on 22-MAY-92

The Information given here is subject to change without notice. Design changes may be in order to improve the product.

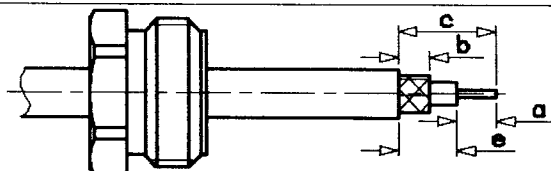


Superseded on

STRAIGHT PLUG-CLAMP TYPE
CABLE 2.2/50 DBR

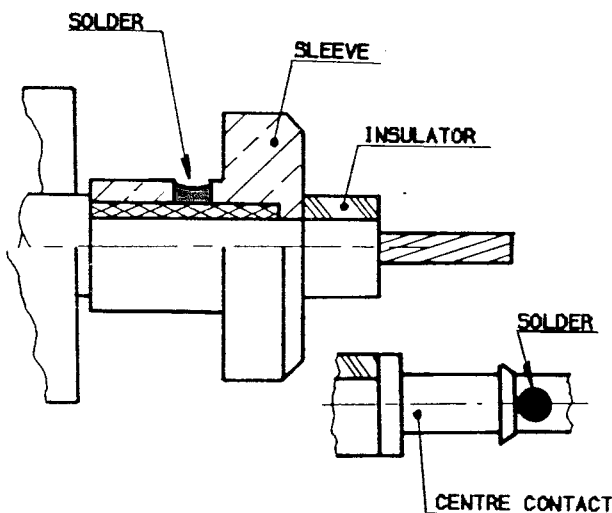


- ①
- 1-1 Slide clamp nut onto the cable .
- 1-2 Strip the cable .
- 1-3 Tin the cable inner conductor.



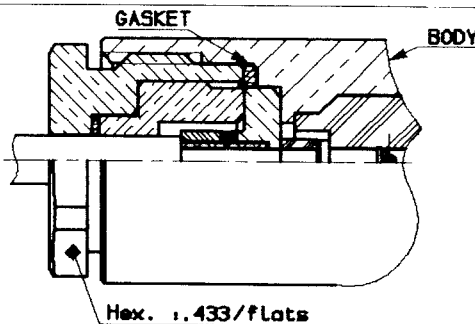
Stripping	a	b	c	d	e
Inch	.157	.216	.492	-	.334
mm	4	5.5	12.5	-	8.5

- ②
- 2-1 Slide the sleeve between the braid .
- 2-2 Solder the braid into the sleeve .
- 2-3 Slide the spacer .



- ③
- 3-1 Solder the cable inner conductor into centre contact .
- 3-2 Slide the back nut over the clamp assembly .

- ④
- 4-1 Slide the gasket into the connector body.
- 4-2 Screw sub-assembly into the connector body .
recommended coupling torque
39.825 in.lb)



ISSUE	REVISION No	DESCRIPTION	BY	DATE
.
.
.

Initiated on 21-MAY-92

The information given here is subject to change without notice. Design changes may be in order to improve the product.



Superseded on