

PART NUMBER	ENGINEERING NUMBER	FINISH LENGTH
1300660201	CR4C06A30M003	0.98' [0.3M]
1300660203	CR4C06A30M005	1.64' [0.5M]
1300660204	CR4C06A30M010	3.28' [1.0M]

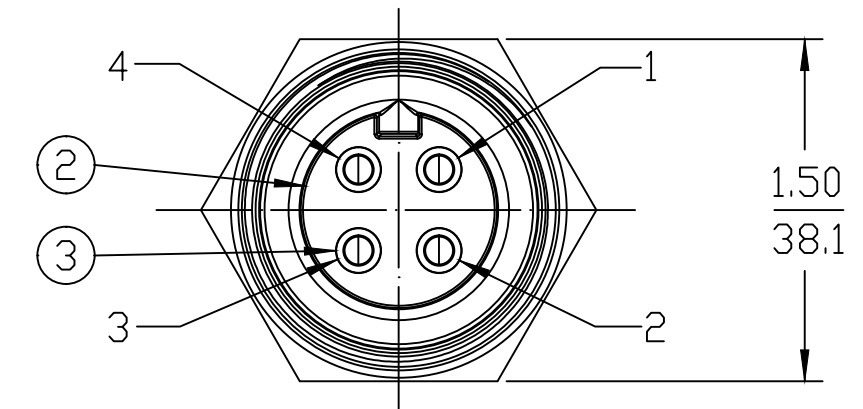
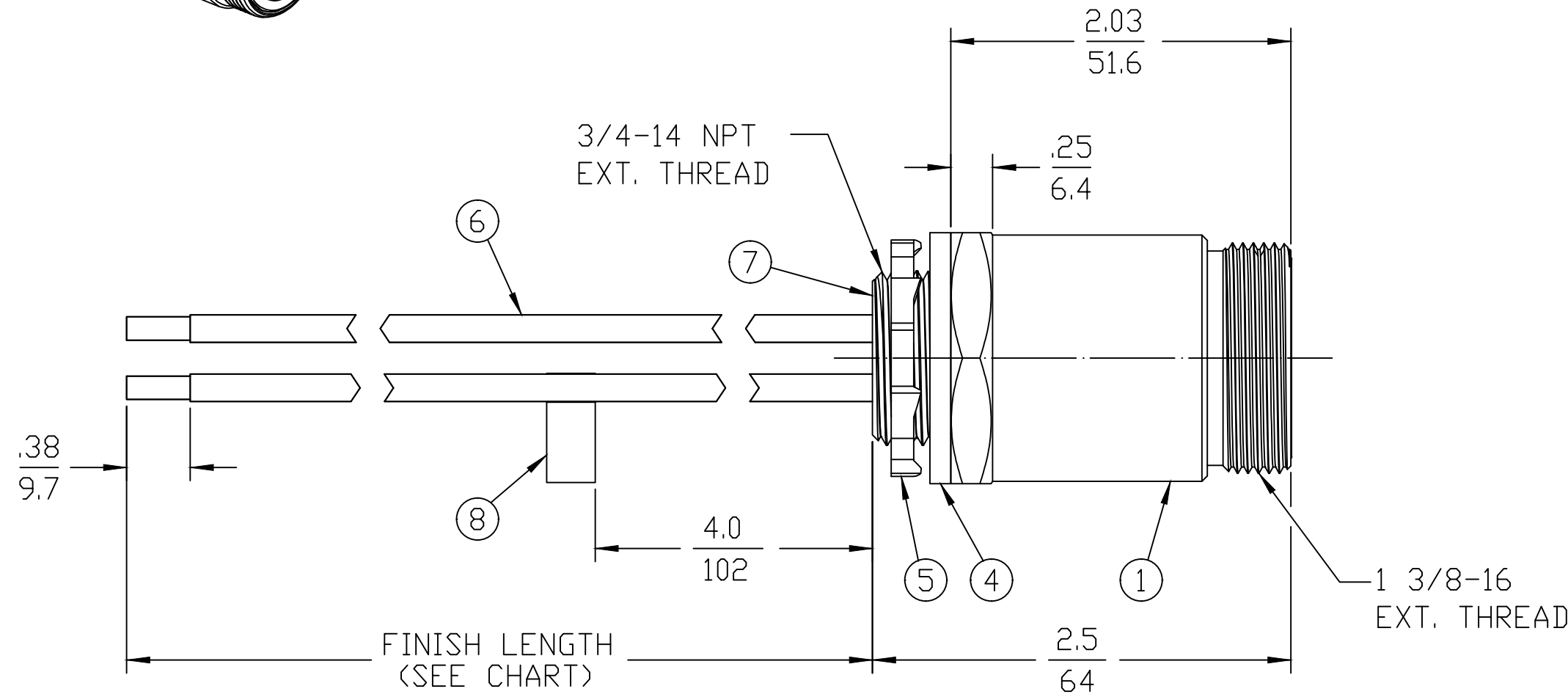
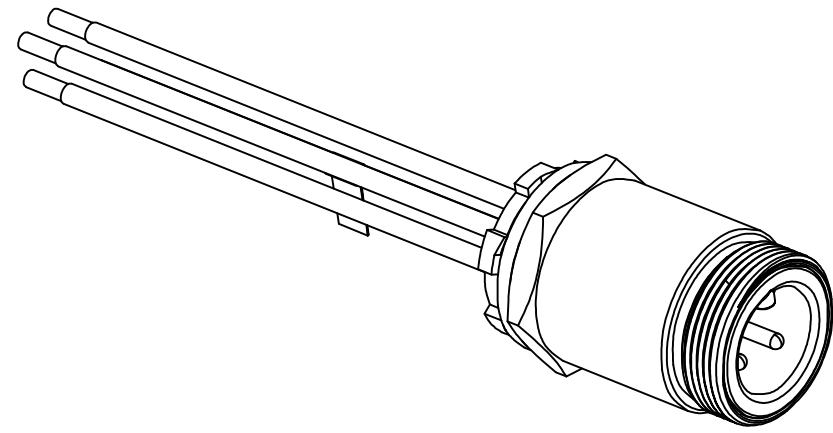
**PART NUMBER LEGEND**

**CR4C06A30M003**

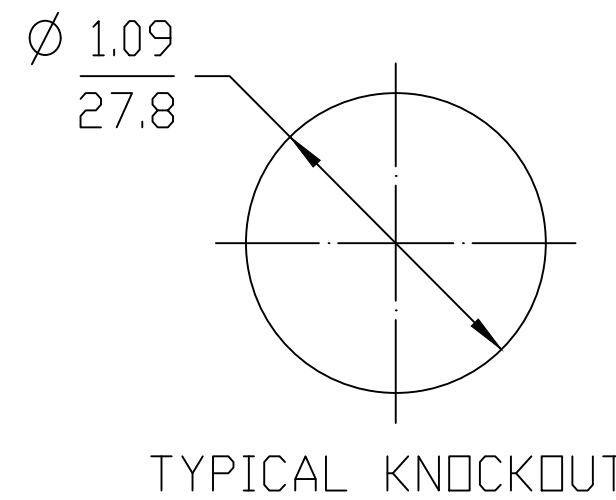
**LENGTH**  
M005 = 0.5 METER  
M010 = 1 METER  
M100 = 10 METER

**CABLE LENGTH TOLERANCES**

>.3M [1FT]:	+19mm-0 [ +.75in-0]
.3 - .9M [1 - 3FT]:	+44.5mm-0 [+1.75in-0]
.9 - 1.8M [3 - 6FT]:	+55.6mm-0 [+2.19in-0]
1.8 - 3.7M [6 - 12FT]:	+88.9mm-0 [+3.50in-0]
3.7 - 7.3M [12 - 24FT]:	+165.1mm-0 [+6.50in-0]
7.3-14.6M [24 - 48FT]:	+317.5mm-0 [+12.50in-0]
14.6 - 30.5M [48-100FT]:	+622.3mm-0 [+24.50in-0]
OVER 30M [100FT]	+2% OF FINISHED LENGTH



- NOTES:**
- MATERIAL: AS NOTED
  - FINISH: AS NOTED
  - ELECTRICAL:  
VOLTAGE: 4P: 500V PER IEC60664  
600V PER UL2237  
CURRENT: 32A
  - TEMP RATING: -20°TO +90°C
  - PROTECTION: IP67 (WHEN MATED)
  - UL LISTED FILE: E258922
  - FLAG LABEL LOCATED ON GREEN WIRE.
  - MATES WITH: QC 4 POLE FEMALE CABLE ASSEMBLY.
  - PACKAGING: PART IS PACKED IN POLY BAG.
  - ALL DIMS ARE FOR REFERENCE UNLESS NOTED OTHERWISE



BLACK	1
GREEN	2
RED	3
WHITE	4

WIRING DIAGRAM

REF. THIS DRAWING SUPERSEDES COCREATE REV. A

ITEM	QTY.	DESCRIPTION	MATERIAL	FINISH
8	1	FLAG LABEL	VINYL	YELLOW
7	A/R	POTTING	EPOXY	BLACK
6	4	WIRE, 10 AWG UL1015	PVC JACKET	SEE WIRING DIAGRAM
5	1	LOCKNUT	STEEL	ZINC PLATED
4	1	GASKET	NEOPRENE	BLACK
3	4	PIN CONTACT	COPPER ALLOY	GOLD PLATED
2	1	MALE INSERT, 4 POLE	PVC	BLACK
1	1	RECEPTACLE SHELL	ALUMINUM	CLEAR ANODIZED

UL 1015 WAS THHN EC NO: IFC2019-0166 DRWN: JCAPPOZZ 2018/10/23 CH'KD: RSTONE APPR: BWOODMAN2018/11/16	QUALITY SYMBOL	<b>GENERAL TOLERANCES (UNLESS SPECIFIED)</b> 4 PLACES ±--- ±--- 3 PLACES ±--- ±--- 2 PLACES ±--- ±--- 1 PLACE ±--- ±---	DIMENSION STYLE	SCALE	DESIGN UNITS	<b>THIRD ANGLE PROJECTION</b>
	▽=0 ▽=0		IN/MM	1:1	INCH	
	B	DRAFT WHERE APPLICABLE MUST REMAIN WITHIN DIMENSIONS	DRAWN BY DATE JCAPPOZZ 2018/10/23 CHECKED BY DATE ---- APPROVED BY DATE BWOODMAN 2018/11/16	TITLE <b>BRAD POWER MALE, 3/4" NPT, 4 POLE, AC RECEPTACLE ASSEMBLY</b>		
	REV DESCRIPTION	ANGULAR ±.5°	MATERIAL NO. <b>SEE P/N CHART</b>	MOLEX INCORPORATED	DOCUMENT NO. <b>SD-130066-057</b>	SHEET NO. <b>1 OF 1</b>

THIS DRAWING CONTAINS INFORMATION THAT IS PROPRIETARY TO MOLEX INCORPORATED AND SHOULD NOT BE USED WITHOUT WRITTEN PERMISSION