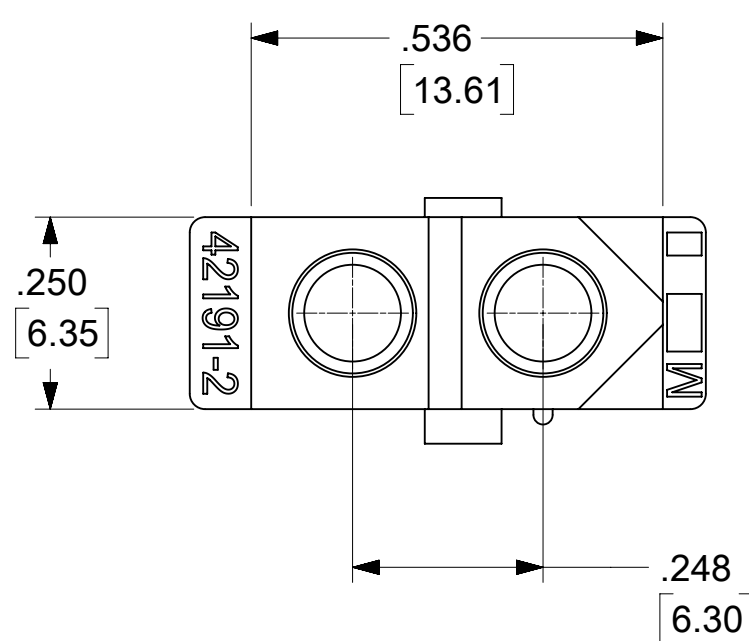
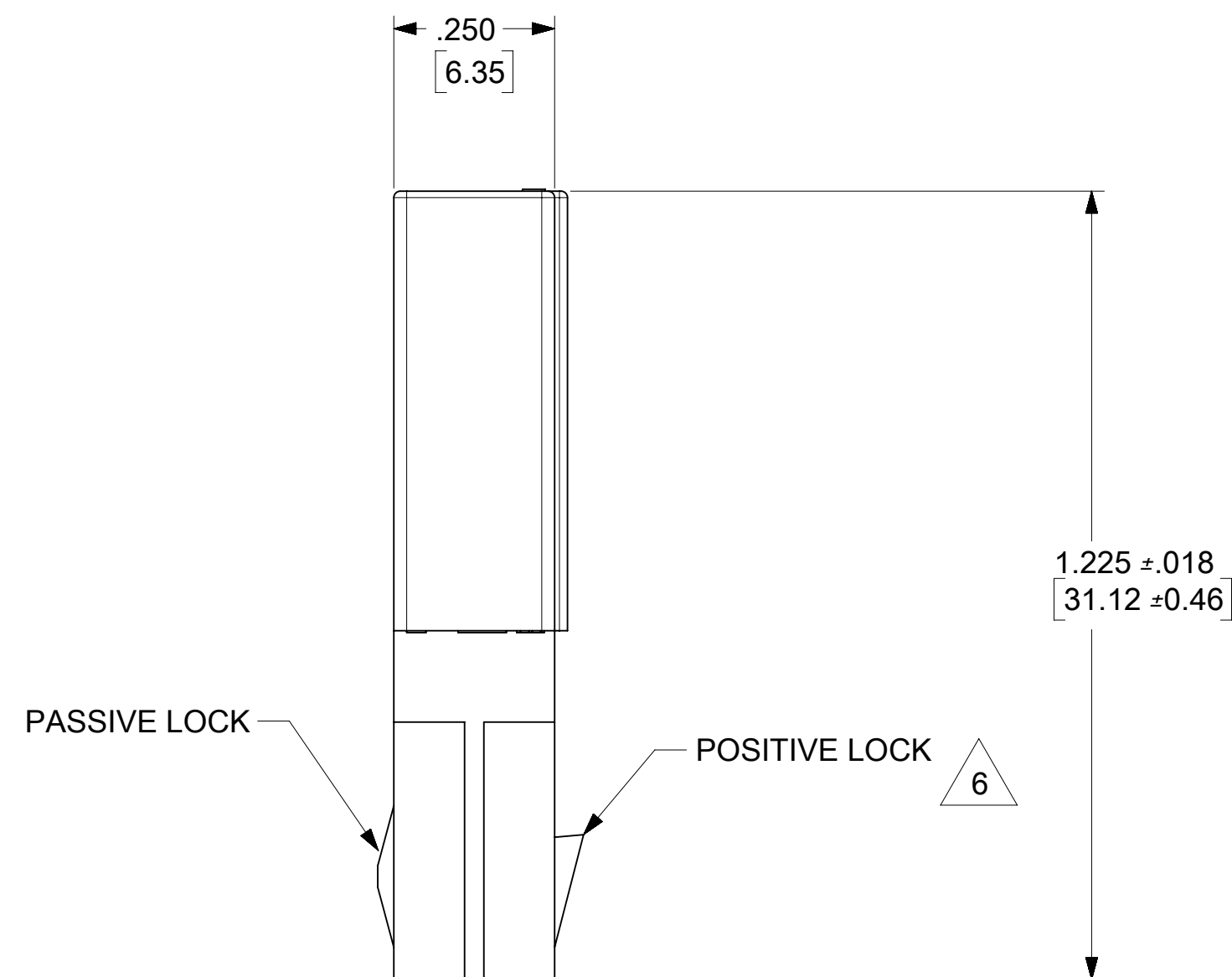
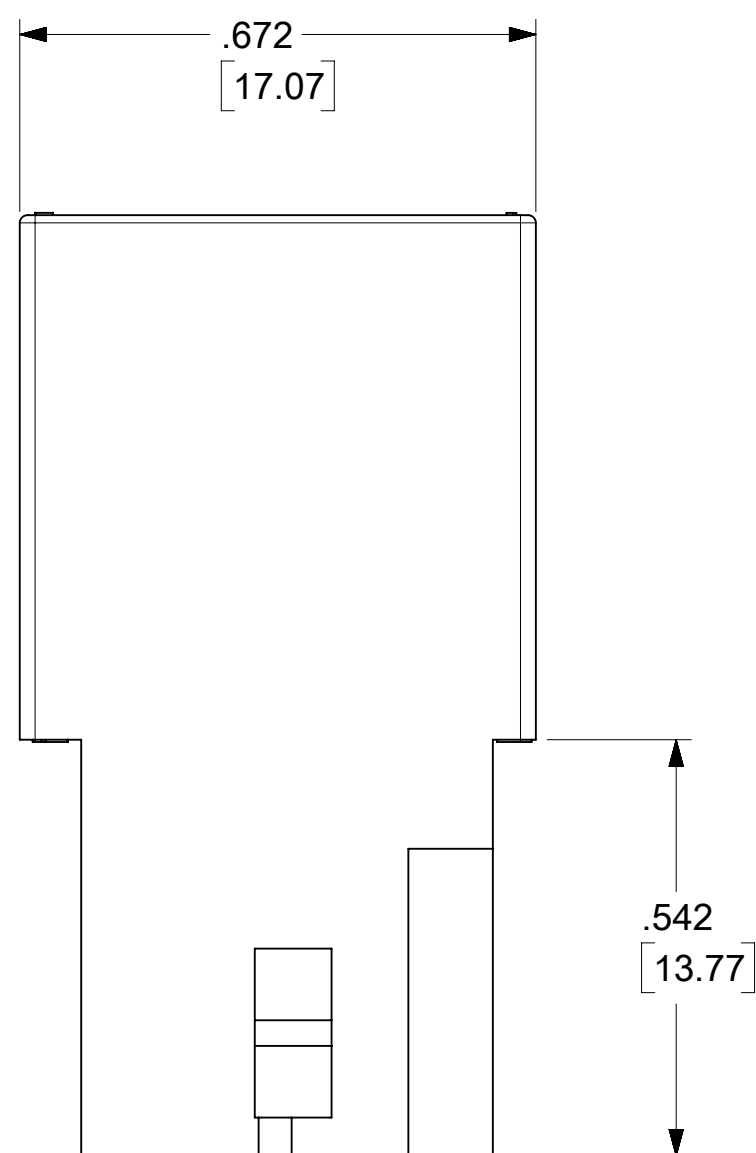
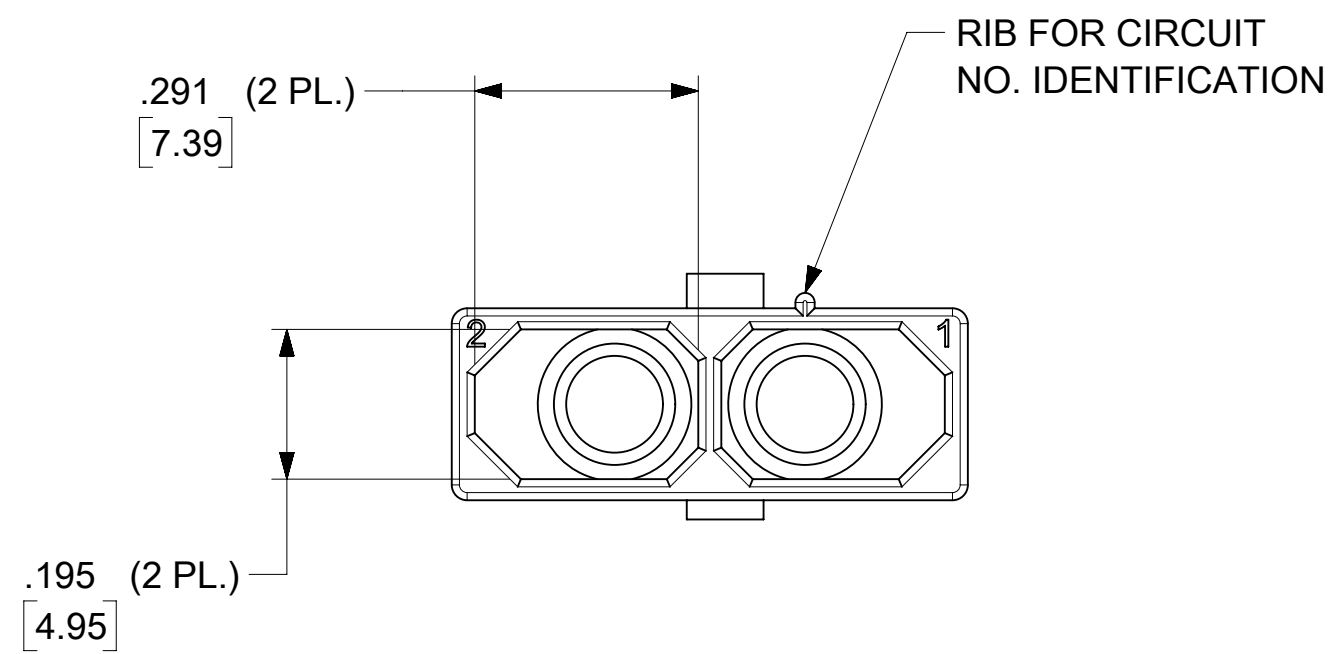


PLUG HOUSING

QUALITY SYMBOLS ▽ = 0 ▽ = 0 ▽ = 0 ▼ = 0 ▽ = 0 ⊠ = 0 ■ = 0 ▽ = 0	THIS DRAWING CONTAINS INFORMATION THAT IS PROPRIETARY TO MOLEX ELECTRONIC TECHNOLOGIES, LLC AND SHOULD NOT BE USED WITHOUT WRITTEN PERMISSION										
	ADD PK SPEC EC NO: 108502 DRWN: BAPPELDORN CHKD: MKIPPER REV / APPR: FSMITH	GENERAL TOLERANCES (UNLESS SPECIFIED)			DIMENSION UNITS	SCALE					
		ANGULAR TOL ± 1.0 °			IN/MM	4:1					
		4 PLACES ±		AELHAG		DATE	.093/(2.36) HOUSING G.W. PLUG AND RECEPTACLE 2 CIRCUIT				
		3 PLACES ± 0.01		LSCHEMIDT		DATE					
		2 PLACES ± 0.014		FSMITH		DATE					
	1 PLACE ±		DRAWING SIZE		THIRD ANGLE PROJECTION	PRODUCT CUSTOMER DRAWING					
	0 PLACES ±		C			SERIES	MATERIAL NUMBER	CUSTOMER			
	DRAFT WHERE APPLICABLE MUST REMAIN WITHIN DIMENSIONS		B2		REV	42191	SEE CHART	GENERAL MARKET			
						DOCUMENT NUMBER	DOC TYPE	DOC PART	SHEET NUMBER		
					SD-42191-002	PSD	000	1 OF 3			



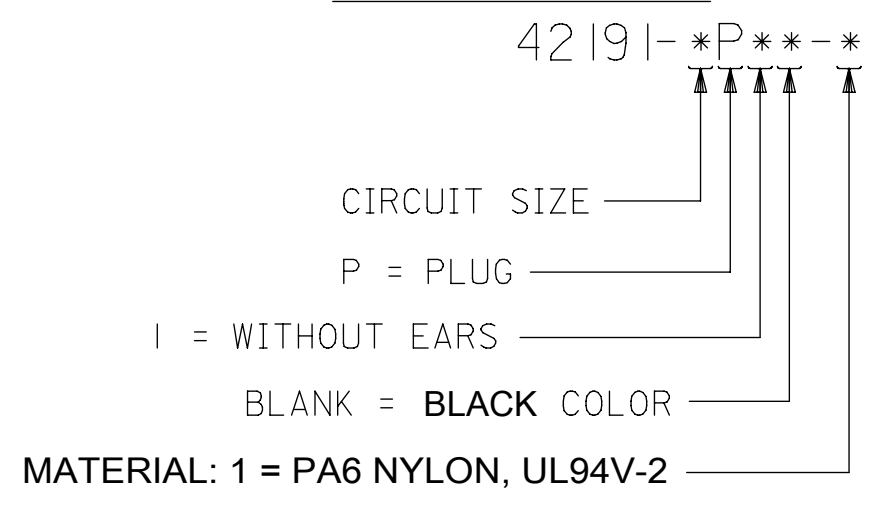
RECEPTACLE HOUSING

QUALITY SYMBOLS	THIS DRAWING CONTAINS INFORMATION THAT IS PROPRIETARY TO MOLEX ELECTRONIC TECHNOLOGIES, LLC AND SHOULD NOT BE USED WITHOUT WRITTEN PERMISSION										
	ADD PK SPEC	EC NO: 108502 DRWN: BAPPELDORN CHKD: MKIPPER REV: APPR: FSMITH	GENERAL TOLERANCES (UNLESS SPECIFIED)			DIMENSION UNITS	SCALE				
ANGULAR TOL ± 1.0 °			IN/MM	4:1							
▽ = 0	B2	REV	4 PLACES ±	DRWN BY	DATE	.093/(2.36) HOUSING G.W. PLUG AND RECEPTACLE 2 CIRCUIT PRODUCT CUSTOMER DRAWING					
▽ = 0			3 PLACES ± 0.01	CHKD BY	DATE						
▽ = 0			2 PLACES ± 0.014	LSCHEMIDT	09/24/2007						
▼ = 0			1 PLACE ±	FSMITH	2014/12/18						
▽ = 0			0 PLACES ±	DRAWING SIZE							THIRD ANGLE PROJECTION
☒ = 0			DRAFT WHERE APPLICABLE MUST REMAIN WITHIN DIMENSIONS		C						
■ = 0	SERIES		MATERIAL NUMBER		CUSTOMER		GENERAL MARKET				
▽ = 0	DOCUMENT NUMBER		DOC TYPE		DOC PART	SHEET NUMBER					
	SD-42191-002		PSD		000	2 OF 3					

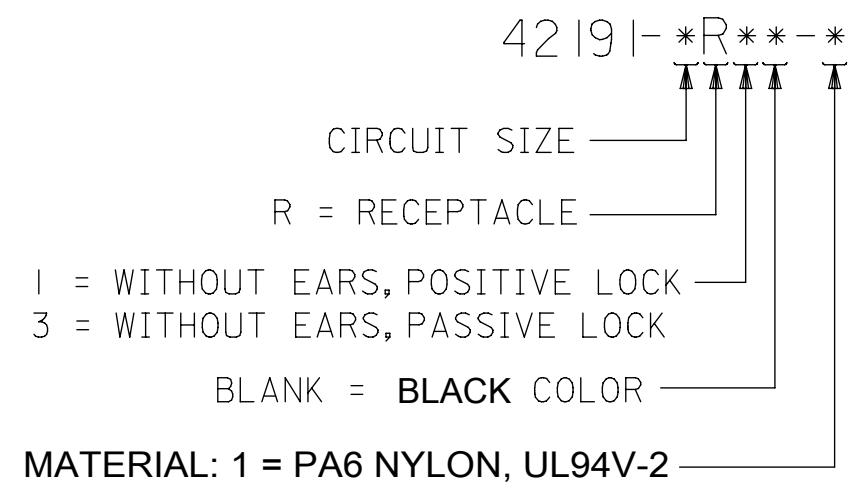
PLUG	
PART NO.	ENG. NO.
50-36-1688	42191-2P1-1

RECEPTACLE	
PART NO.	ENG. NO.
50-36-1687	42191-2R1-1

LEGEND: PLUG



LEGEND: RECEPTACLE



- NOTES:
1. MATERIAL: 1 = UL94V-2, PA6 NYLON, GLOW WIRE CAPABLE, PER IEC 60335-1.
 2. FINISH: NONE.
 3. PRODUCT SPECIFICATION: NONE.
 4. PACKAGING INFORMATION: 421910000-PK.
 5. PART ACCEPTS DOUBLE WIRE CRIMPS OF 18 AWG MAXIMUM. EACH CIRCUIT WILL ALLOW ONE OF THE WIRES TO HAVE AN INSULATION THICKNESS OF .062/(1.57), THE OTHER HAVING AN INSULATION THICKNESS OF .031/(0.79).
 6. LOCK RAMP STYLE IS OPTIONAL ON THIS SIDE OF PART. CHOICE OF EITHER A POSITIVE LOCK RAMP OR A PASSIVE LOCK RAMP IS AVAILABLE.
 7. PARTS CONFORM TO CLASS 'B' REQUIREMENTS OF COSMETIC SPECIFICATION PS-45499-002 BUT, MEETS CLASS 'C' REQUIREMENTS FOR SINK AND DISCOLORATION.

QUALITY SYMBOLS ▽ = 0 ▽ = 0 ▽ = 0 ▼ = 0 ▽ = 0 ⊠ = 0 ■ = 0 ▽ = 0	THIS DRAWING CONTAINS INFORMATION THAT IS PROPRIETARY TO MOLEX ELECTRONIC TECHNOLOGIES, LLC AND SHOULD NOT BE USED WITHOUT WRITTEN PERMISSION										
	ADD PK SPEC EC NO: 108502 DRWN: BAPPELDORN CHKD: MKIPPER REV / APPR: FSMITH	2016/09/06	2016/09/20	2016/09/23	GENERAL TOLERANCES (UNLESS SPECIFIED)		DIMENSION UNITS	SCALE			
		ANGULAR TOL ± 1.0 °			IN/MM	---					
		4 PLACES ±	DRWN BY		DATE		AELHAG		09/24/2007		.093/(2.36) HOUSING G.W. PLUG AND RECEPTACLE 2 CIRCUIT
3 PLACES ± 0.01	CHKD BY		DATE		LSCHMIDT		09/24/2007				
2 PLACES ± 0.014	APPR BY		DATE		FSMITH		2014/12/18		PRODUCT CUSTOMER DRAWING		
1 PLACE ±	DRAWING SIZE		THIRD ANGLE PROJECTION		C				SERIES	MATERIAL NUMBER	CUSTOMER
0 PLACES ±	DRAFT WHERE APPLICABLE MUST REMAIN WITHIN DIMENSIONS		C				42191		SEE CHART	GENERAL MARKET	
DOCUMENT NUMBER		DOC TYPE		DOC PART		SHEET NUMBER		SD-42191-002 PSD 000 3 OF 3			