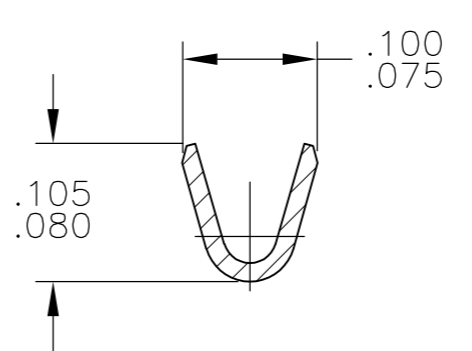
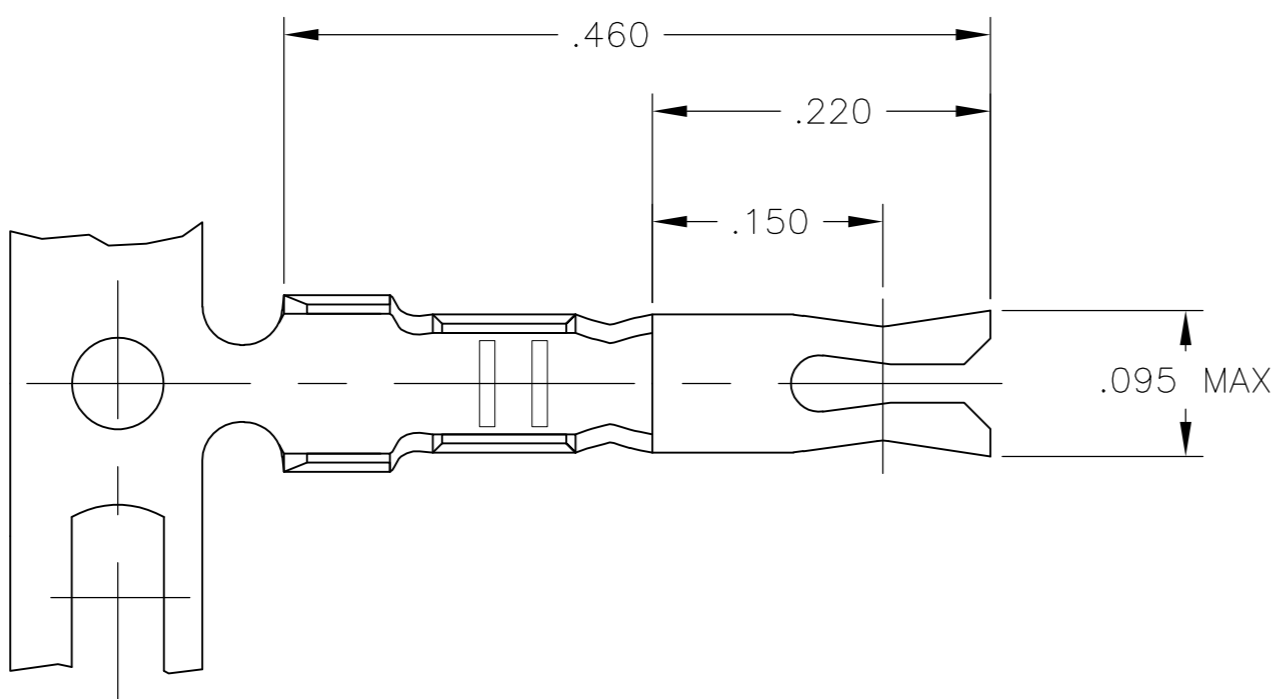


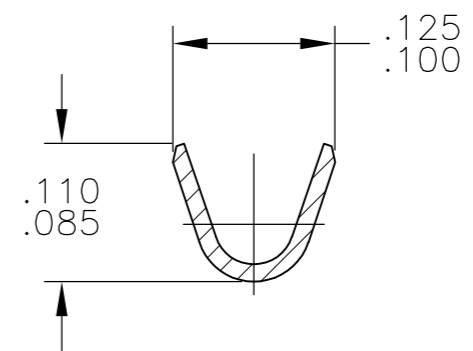
THIS DRAWING IS UNPUBLISHED. RELEASED FOR PUBLICATION
 © COPYRIGHT BY TYCO ELECTRONICS CORPORATION. ALL INTERNATIONAL RIGHTS RESERVED.

LOC	DIST	REVISIONS			
P	LTR	DESCRIPTION	DATE	DWN	APVD
AF	50	E1	REDRAWN PER ECR-08-032847	09FEB09	HMR JR

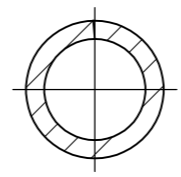
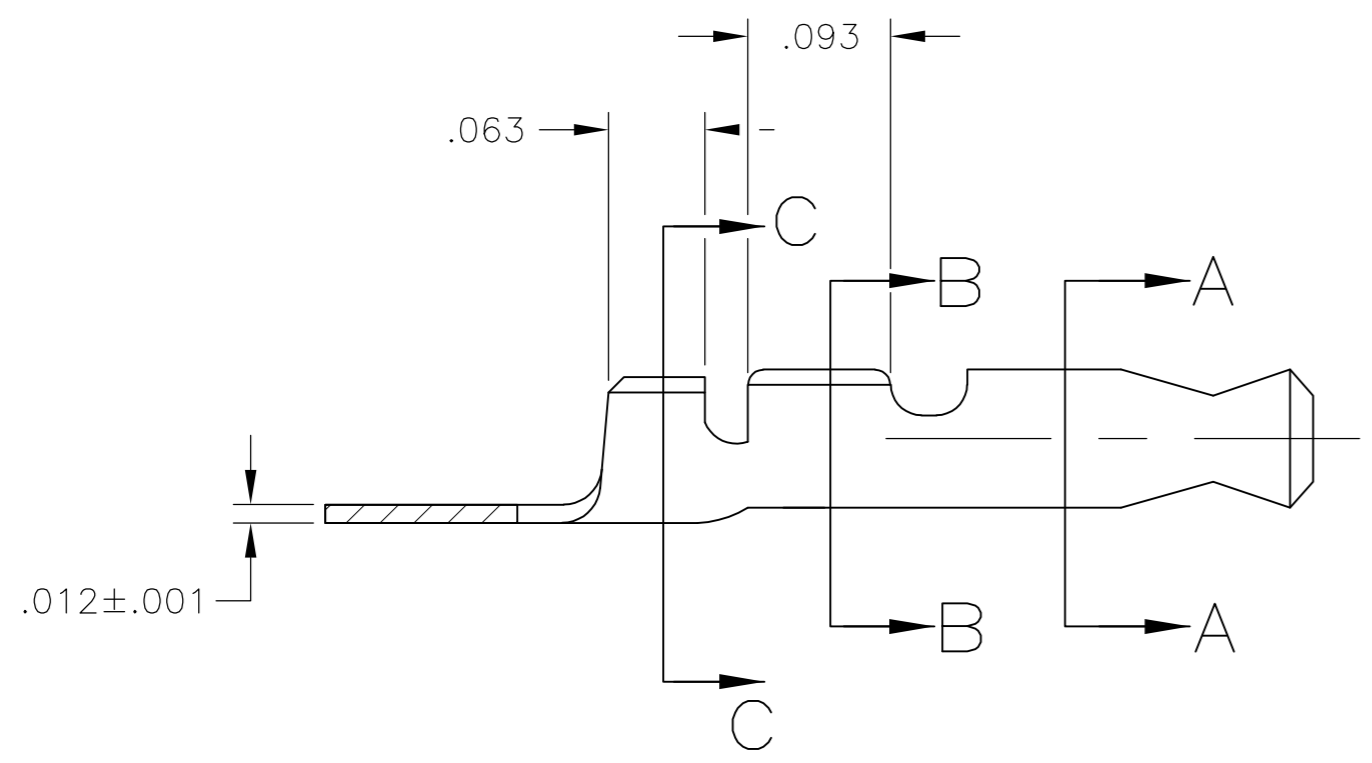
- 1 CONTINUOUS STRIP ON REELS.
- 2 WIRE RANGE: #24 - #20
INSULATION RANGE: .048 - .071



SECTION B-B



SECTION C-C



SECTION A-A

OBSOLETE	REVERSE REEL	.050	TIN	BE CU	60348-6
OBSOLETE		.050	TIN	BE CU	60348-5
	REVERSE REEL	.050	TIN	PHOS. BRONZE	60348-4
OBSOLETE	REVERSE REEL	.050	SILVER	PHOS. BRONZE	60348-3
OBSOLETE		.050	TIN	PHOS. BRONZE	60348-2
OBSOLETE		.050	SILVER	PHOS. BRONZE	60348-1

REMARKS	PIN DIA ±.001	FINISH	MATERIAL	TERMINAL NUMBER
THIS DRAWING IS A CONTROLLED DOCUMENT.				
DIMENSIONS: INCHES		TOLERANCES UNLESS OTHERWISE SPECIFIED:		
		0 PLC	± -	
		1 PLC	± -	
		2 PLC	± -	
		3 PLC	± .015	
MATERIAL SEE TABLE		FINISH SEE TABLE		
		WEIGHT		
		CUSTOMER DRAWING		

Tyco Electronics Tyco Electronics Corporation
Harrisburg, PA 17105-3608

NAME: **PIN RECEPTACLE**

SIZE: A2 CAGE CODE: 00779 DRAWING NO: 60348 RESTRICTED TO: -

SCALE: 8:1 SHEET: 1 of 1 REV: E1