

PAGE 1/2

ISSUE 25-11-22

SERIE : SPnT

PART NUMBER : R574F03040

RF CHARACTERISTICS

Number of ways : **10**
 Frequency range : **0 - 22 GHz**
 Impedance : **50 Ohms**

Frequency (GHz)	DC - 3	3 - 8	8 - 12.4	12.4 - 15.5	15.5 - 18	18 - 22
VSWR max	1,20	1,30	1,40	1,50	1,70	1,80
Insertion loss max	0.20 dB	0.30 dB	0.40 dB	0.50 dB	0.70 dB	0.80 dB
Isolation min	80 dB	70 dB	60 dB	60 dB	55 dB	55 dB
Average power (*)	240 W	150 W	120 W	110 W	100 W	90 W

TERMINATION IMPEDANCE : **50 Ohms**
 TERM. AVG. POWER AT 25° C : **1 W per termination / 3 W total power**

ELECTRICAL CHARACTERISTICS

Actuator : **NORMALLY OPEN**
 Nominal current ** : **102 mA**
 Actuator voltage (Vcc) : **28V (24 to 30V) / POSITIVE COMMON**
 Terminals : **solder pins (250°C max. / 30 sec.)**

MECHANICAL CHARACTERISTICS

Connectors : **SMA female per MIL-C 39012**
 Life : **2 million cycles per position**
 Switching Time*** : **< 15 ms**
 Construction : **Splashproof**
 Weight : **< 360 g**

ENVIRONMENTAL CHARACTERISTICS

Operating temperature range : **-40°C to +85°C**
 Storage temperature range : **-55°C to +85°C**

(* Average power at 25°C per RF Path)

(** At 25° C ±10%)

(*** Nominal voltage ; 25° C)



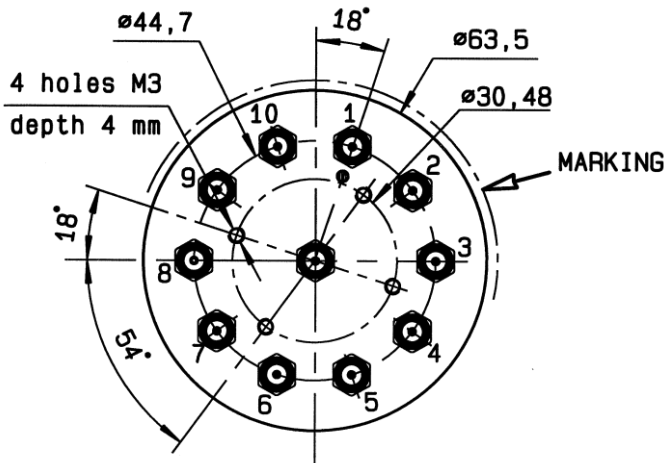
PAGE 2/2

ISSUE 25-11-22

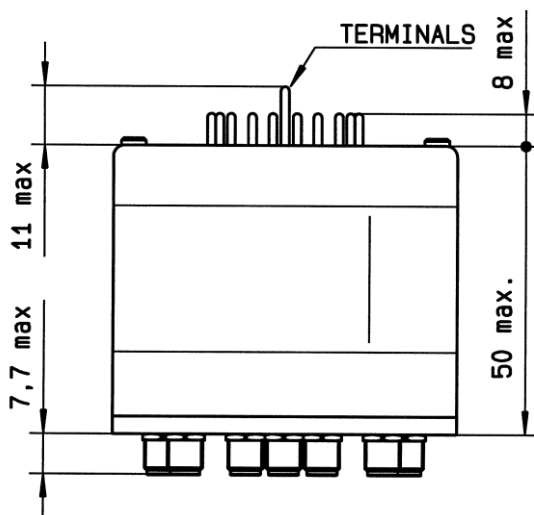
SERIE : SPnT

PART NUMBER : **R574F03040**

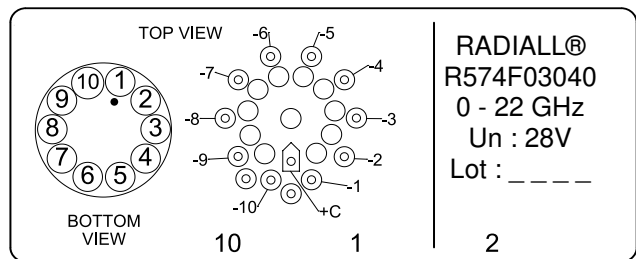
DRAWING



Voltage	RF Continuity
+C -1	IN ↔ 1
+C -2	IN ↔ 2
+C -3	IN ↔ 3
+C -4	IN ↔ 4
+C -5	IN ↔ 5
+C -6	IN ↔ 6
+C -7	IN ↔ 7
+C -8	IN ↔ 8
+C -9	IN ↔ 9
+C -10	IN ↔ 10



LABEL



General tolerances : ±0,5 mm [0,02 in]

SCHEMATIC DIAGRAM

