

THIS DRAWING IS UNPUBLISHED.

RELEASED FOR PUBLICATION

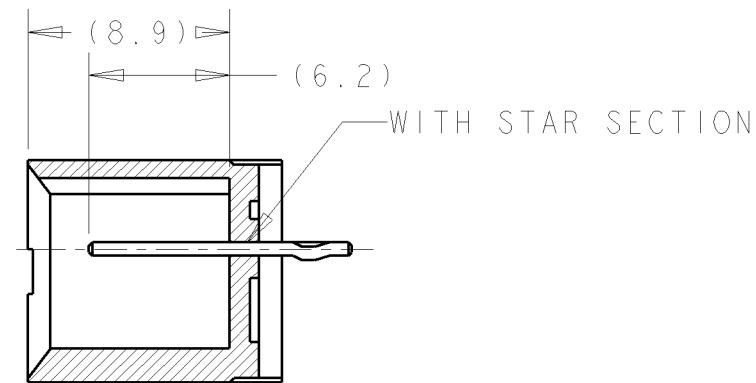
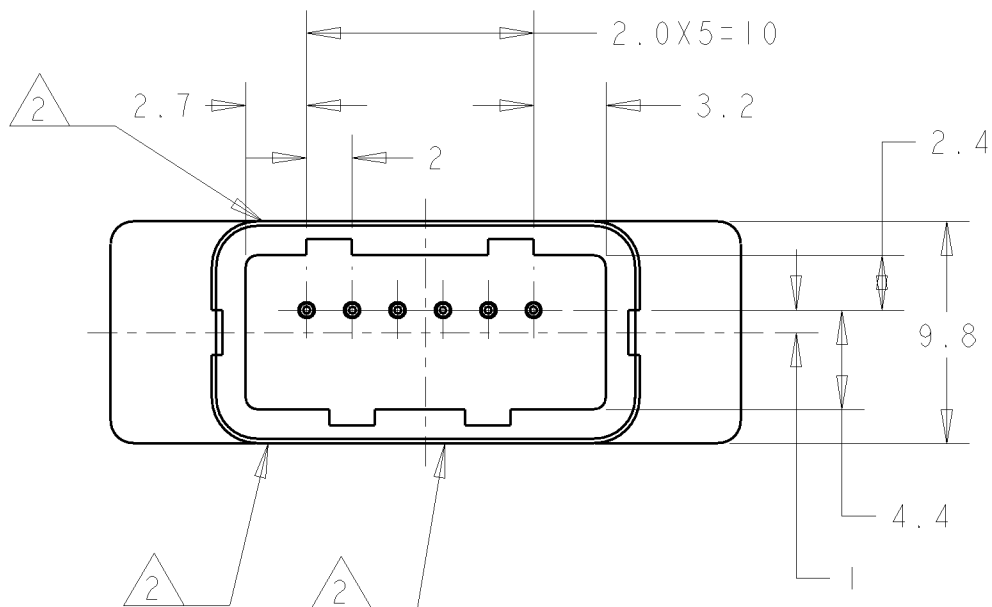
20

© COPYRIGHT 20

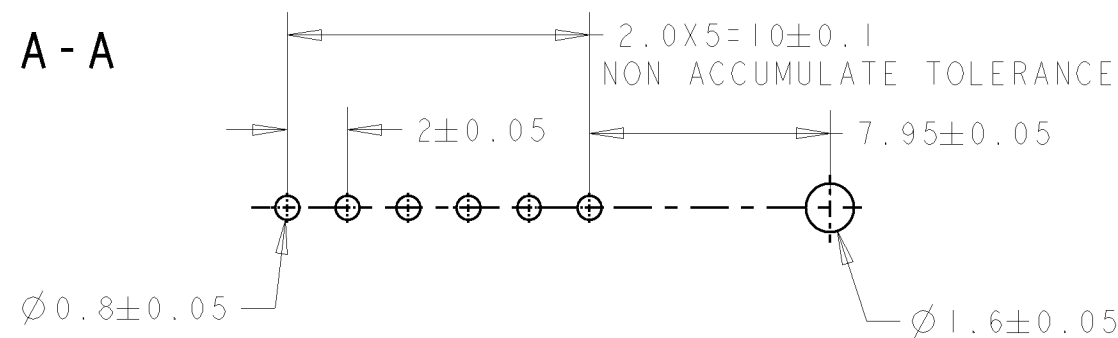
BY TYCO ELECTRONICS CORPORATION. ALL RIGHTS RESERVED.

| LOC | DIST | REVISIONS | | | |
|-----|------|-------------------------|---------|------------|------|
| P | LTR | DESCRIPTION | DATE | DWN | APVD |
| ES | 00 | | | | |
| | | D REVISED ECR-08-008270 | 01APR08 | A, L, S, Y | |

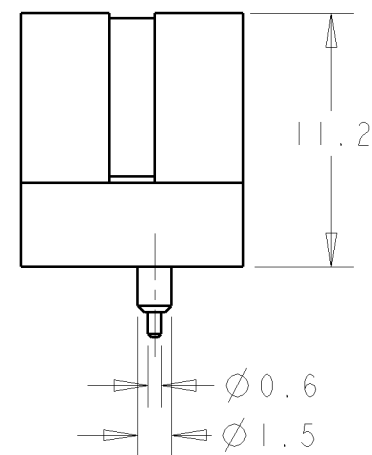
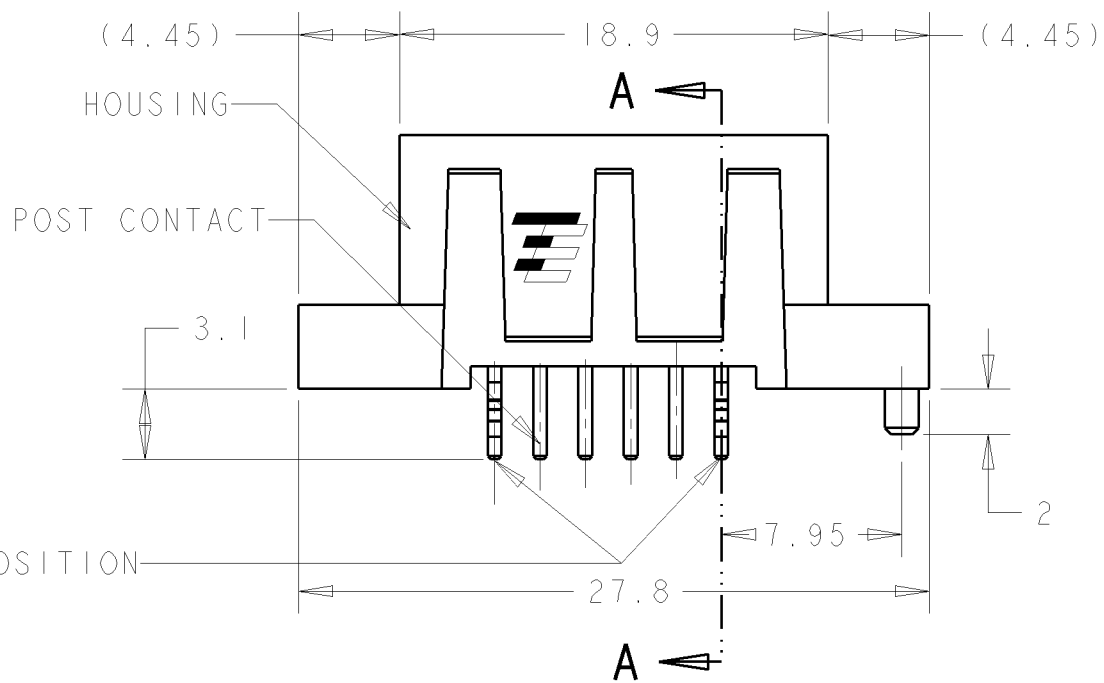
1932066-6 AS SHOW



SECTION A-A



REFERENCE PCB DIMENSIONS (THICKNESS t=1.6 OR 1.2mm)



NOTE

- MATERIAL AND FINISH
HOUSING: GLASS FILLED NYLON, UL94V-0, COLOR BLACK
POST CONTACT: COPPER ALLOY, GOLD PLATED
- THE CUT OUT WILL BE ARRANGED AT THESE AREA TO IMPROVE HOUSING WARPAGE
- MATING PARTS: FLOATING REC HOUSING 1932065-6

| | | | | |
|---|--------------------|-------------------------|--|------------------------|
| <small>THIS DRAWING IS A CONTROLLED DOCUMENT FOR TYCO ELECTRONICS CORPORATION IT IS SUBJECT TO CHANGE AND THE CONTROLLING ENGINEERING ORGANIZATION SHOULD BE CONTACTED FOR THE LATEST REVISION.</small> | | DWN A, L 12DEC07 | Tyco Electronics Shanghai, P.R.China 200233 | |
| DIMENSIONS: mm | | CHK C, W 12DEC07 | NAME CT FLOATING CONNECTOR(VERTICAL) 6P POST HEADER (SINGLE ROW) | |
| | | APVD S, Y 12DEC07 | PRODUCT SPEC | |
| TOLERANCES UNLESS OTHERWISE SPECIFIED: 0 PLC ±- 1 PLC ±0.2 2 PLC ±0.2 3 PLC ±0.2 4 PLC ± ANGLES ±- | | APPLICATION SPEC | | |
| MATERIAL SEE NOTE | FINISH SEE NOTE | WEIGHT | SIZE A300779 | CAGE CODE C=1932066 |
| CUSTOMER DRAWING | | | SCALE NTS | SHEET 1 OF 1 |
| | | | RESTRICTED TO | REV D |