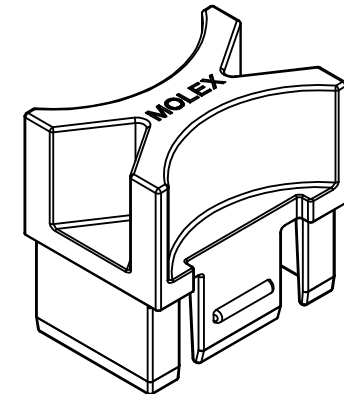
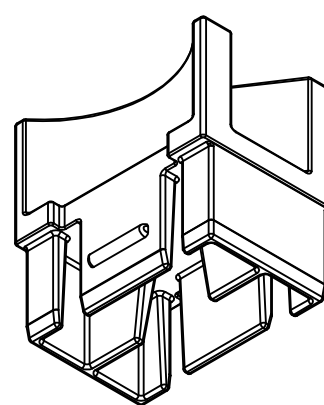
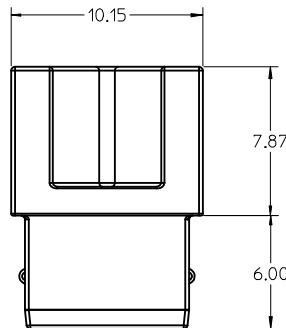
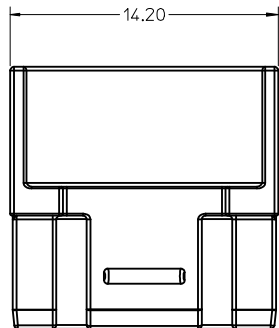


NOTES:

1. MATERIAL: POLYESTER, VALOX 357, UL94V-0, COLOR: BLACK.
UL YELLOW CARD NUMBER: E121562
2. PART COMPLIES WITH CLASS B OF COSMETIC SPECIFICATION PS-45499-002.
3. PACKAGED PER PK-75951-001.



ADD VALOX 357 TO MATERIAL NOTE EC NO: UCP2014-4595 DRAWN BY: DRWINRWHIPPLE 2014/04/29 CHECKED BY: CHKD:BBARKER 2014/04/29 APPR: SMILLER 2014/05/19	QUALITY SYMBOLS	GENERAL TOLERANCES (UNLESS SPECIFIED)		DIMENSION STYLE MM ONLY		SCALE 5:1	DESIGN UNITS METRIC	THIRD ANGLE PROJECTION		
	▽=0	mm	INCH	DRAWN BY	DATE	TITLE SFP DUST PLUG				
	▽=0	4 PLACES ± ---	± ---	MIBARRA	2007/04/30					
	▽=0	3 PLACES ± ---	± ---	CHECKED BY	DATE	molex DOCUMENT NO. SD-75951-999				
	▽=0	2 PLACES ± 0.13	± ---	BBARKER	2007/04/30					
	▽=0	1 PLACE ± 0.25	± ---	APPROVED BY	DATE					
	REV	DESCRIPTION	0 PLACE ±	±	SMILLER	2007/04/30	MATERIAL NO. 75951-0999		SHEET NO. 1 OF 1	
			ANGULAR ±1/2°		SIZE		THIS DRAWING CONTAINS INFORMATION THAT IS PROPRIETARY TO MOLEX INCORPORATED AND SHOULD NOT BE USED WITHOUT WRITTEN PERMISSION			
			DRAFT WHERE APPLICABLE MUST REMAIN WITHIN DIMENSIONS							