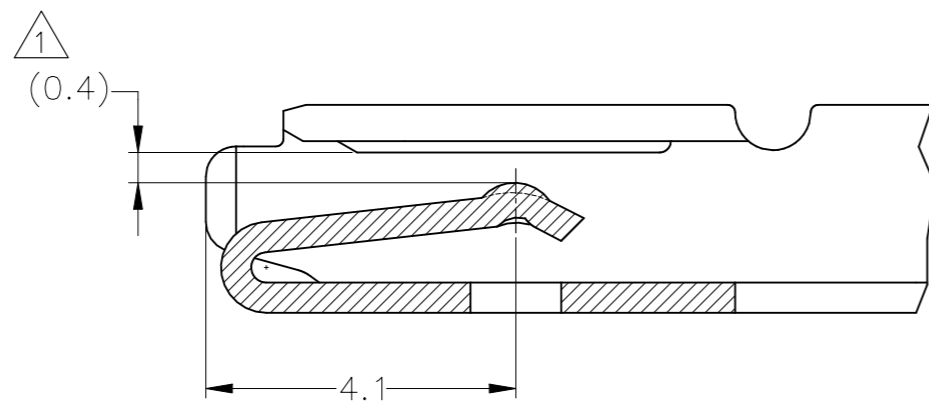
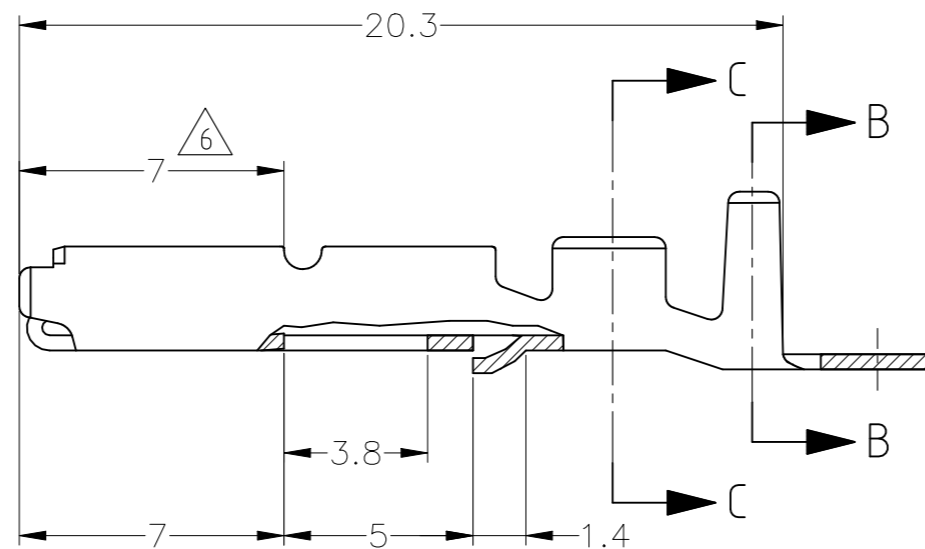
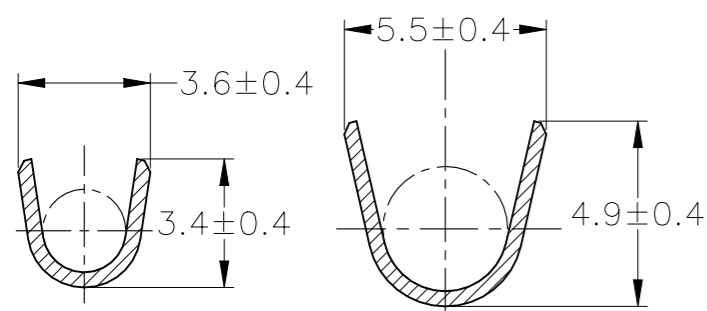
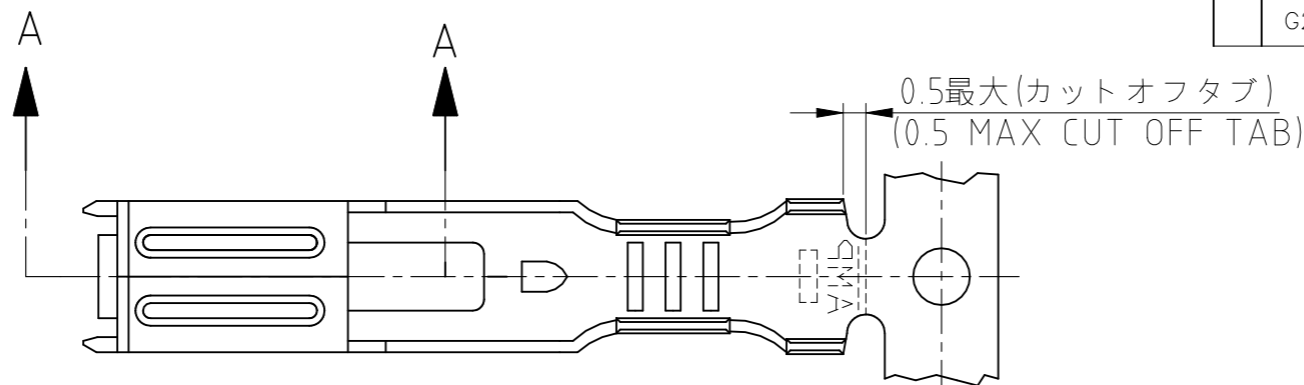
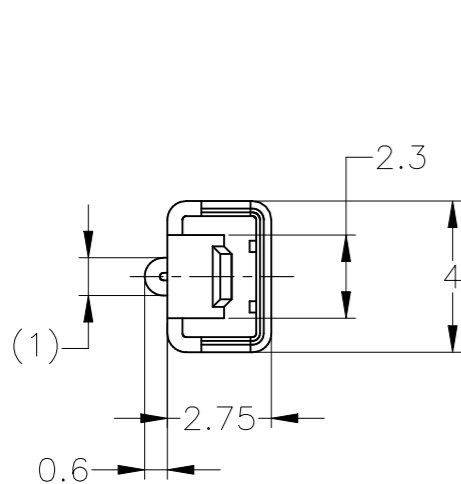


P	LTR	DESCRIPTION	DATE	DWN	APVD
	G2	REVISED PER ECR-22-153250	11NOV2022	RK	MT



A-A SCALE 10: 1

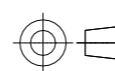
- △ 0.65t タブと嵌合
- 2. 嵌合相手タブ型番 172777, 172778
- 3. 製品規格 No.108-5165,5166
- 4. 取付適用規格 No.114-5071
- 5. 相手ハウジング型番 172500 他
- △ 逆巻きリール

- △ MATE WITH 0.65t TAB.
- 2. MATE TAB P/N 172777,172778.
- 3. PRODUCT SPEC. No.108-5165,5166
- 4. APPLICATION SPEC. No.114-5071.
- 5. PLUG HSG P/N 172500 ETC.
- △ REVERSE REEL.

172774-5	錫メッキ済 PRE-TIN	KLF-5	△1-172773-5	7
OBSOLETE	錫メッキ済 PRE-TIN	黄銅 BRASS	△1-172773-1	6
172774-6	部分金メッキ SELECTIVE GOLD △6	磷青銅 PHOS-BRO	172773-6	5
172774-5	錫メッキ済 PRE-TIN	KLF-5	172773-5	4
172774-4	錫メッキ済 PRE-TIN	磷青銅 PHOS-BRO	172773-4	3
SEE DRAWING 172773-2			172773-2	2
172774-1	錫メッキ済 PRE-TIN	黄銅 BRASS	172773-1	1
バラ状端子型番 L-P NO.	仕上 FINISH	材料 MATERIAL	型番 PART NUMBER	項番 ID

THIS DRAWING IS A CONTROLLED DOCUMENT.

DIMENSIONS:
mm



TOLERANCES UNLESS OTHERWISE SPECIFIED:

0 < x ≤ 10	± 0.2
10 < x ≤ 30	± 0.25
30 < x ≤ 100	± 0.3
ANGLE ; 角度	± 3°
PLC	± -
PLC	± -
PLC	± -
PLC	± -
ANGLES	± -
FINISH	± -

MATERIAL
SEE TABLE

SEE TABLE

DWN	D.MATSUURA	08MAR16
CHK	S.IWATANI	08MAR16
APVD	T.KOHNO	08MAR16
PRODUCT SPEC	NAME	
APPLICATION SPEC	SEE NOTE	
WEIGHT	—	



RECEPTACLE CONTACT
MULTI INTER LOCK CONNECTOR
MARK II

SIZE	CAGE CODE	DRAWING NO	RESTRICTED TO
A3	00779	C-172773	—

CUSTOMER DRAWING SCALE 5:1 SHEET 1 OF 1 REV G2

WIRE RANGE	INSULATION DIA
0.5-2.27mm ² (AWG #22-#18)	2.1-3.4 mm DIA

TOLERANCE UNLESS OTHERWISE SPECIFIED: 一般公差	
0 < x ≤ 10	± 0.2
10 < x ≤ 30	± 0.25
30 < x ≤ 100	± 0.3
ANGLE ; 角度	± 3°